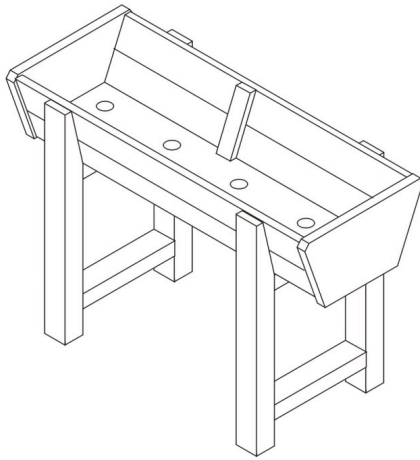
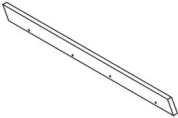
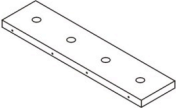


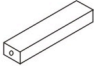
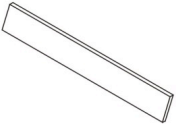





EXIT Trapezium

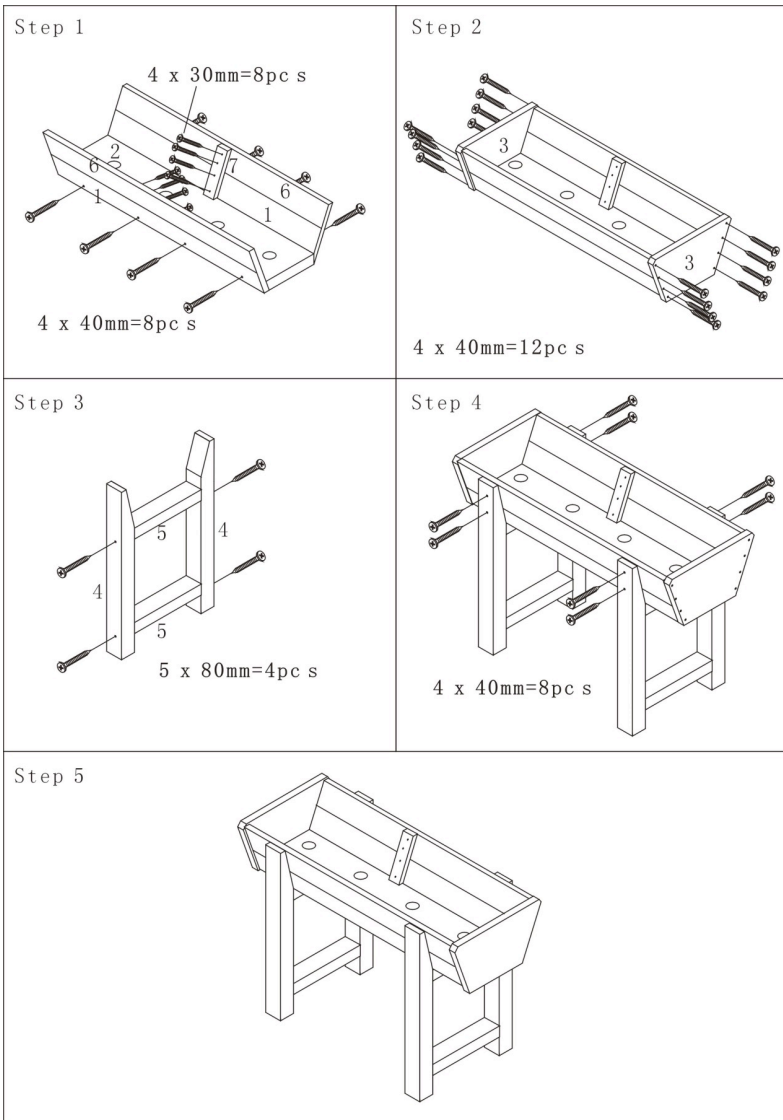


| | | | |
|--|--|--|--|
|  1 x 2 |  2 x 1 |  3 x 2 |  4 x 4 |
|  5 x 4 |  6 x 2 |  7 x 2 | |

4 x 40mm=28pc s

5 x 80mm=8pc s

4 x 30mm=8pc s



Contact:
 Dutch Toys Group
 Fabriekstraat 17e
 P.O. Box 369, 7000 AJ Doetinchem
 The Netherlands
 info@exittoys.com
www.exittoys.com

EXIT is a registered trade mark of Dutch Toys Group