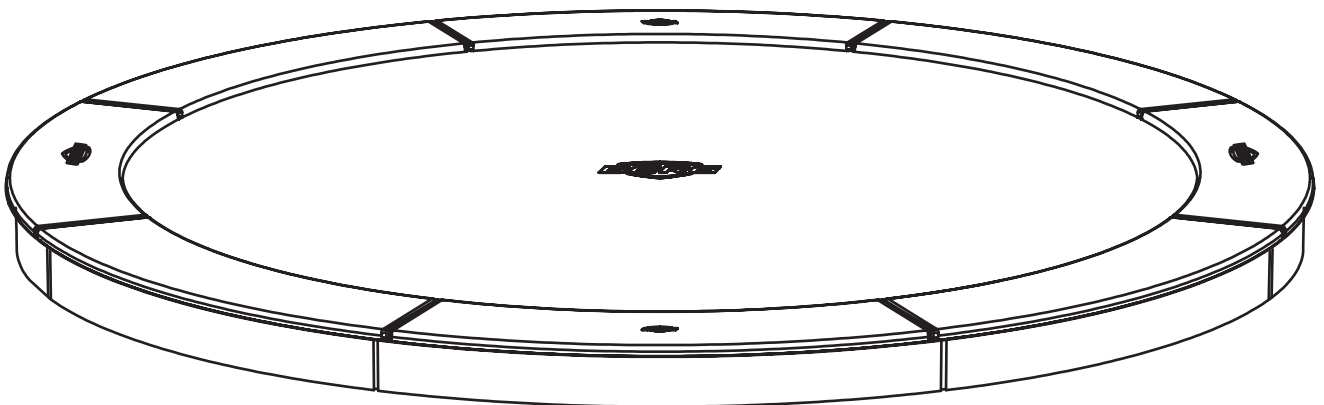
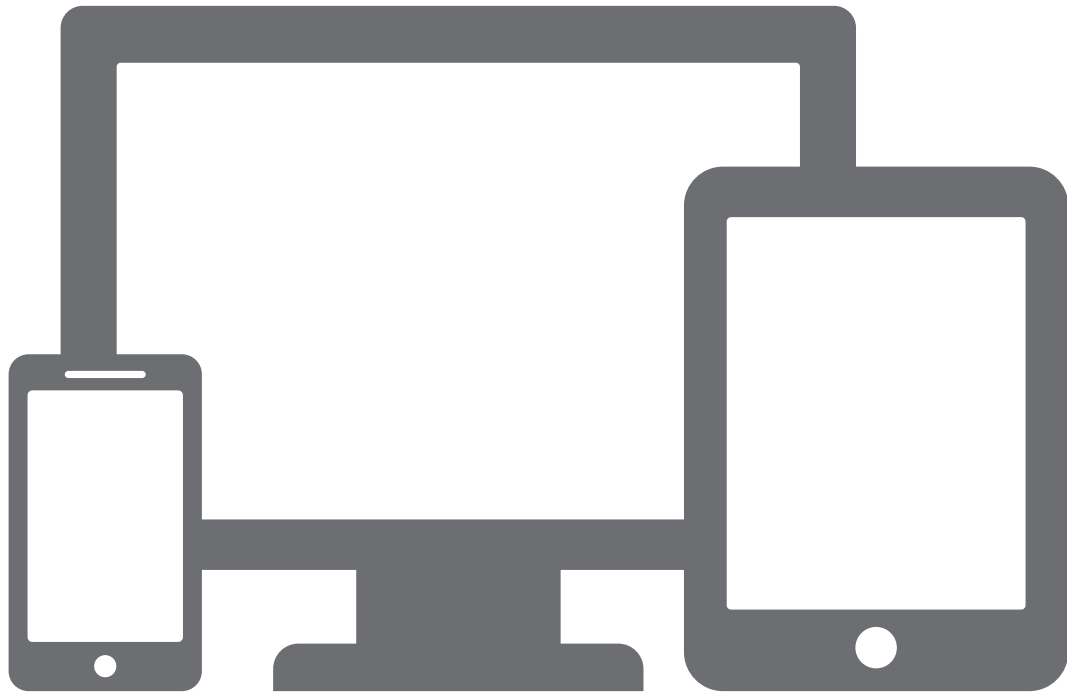




***BERG Champion
/ Elite FlatGround***

User manual
Gebruikshandleiding
Gebrauchsanweisung
Mode d'emploi
Brugermanual
Instruktionsbok

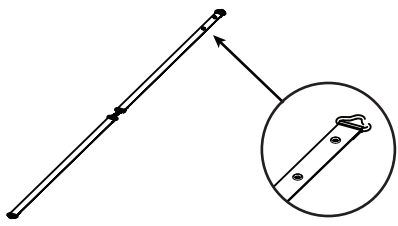
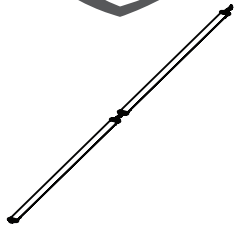
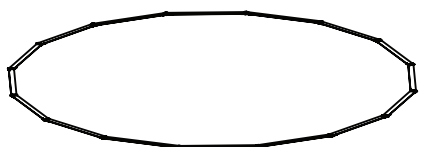
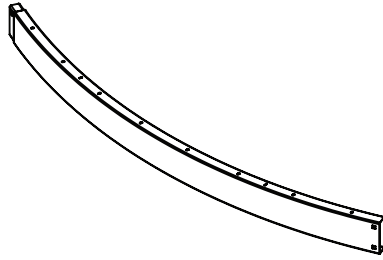
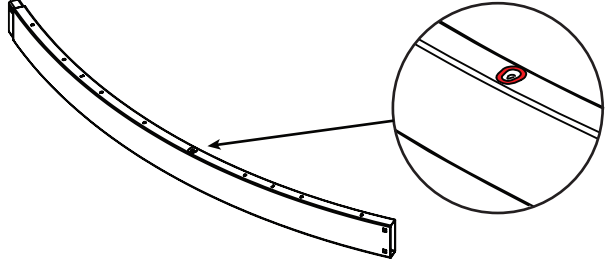
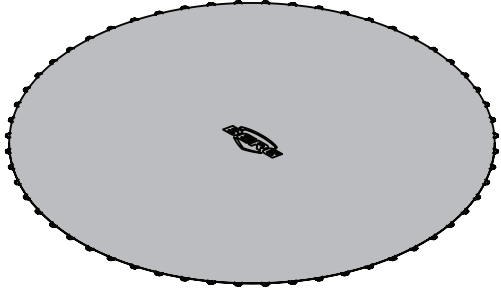
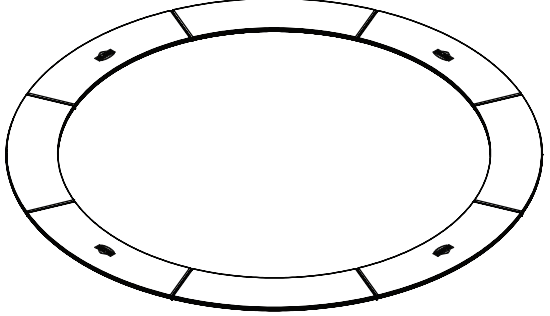
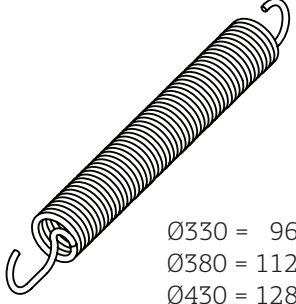
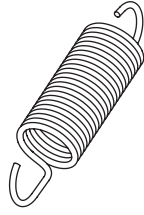

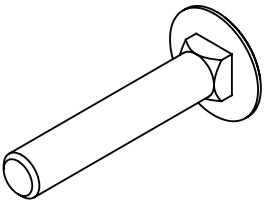

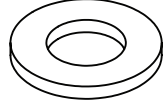
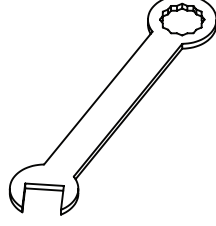
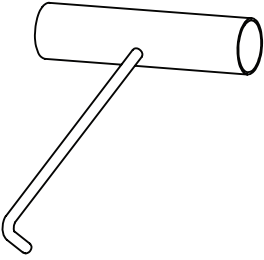




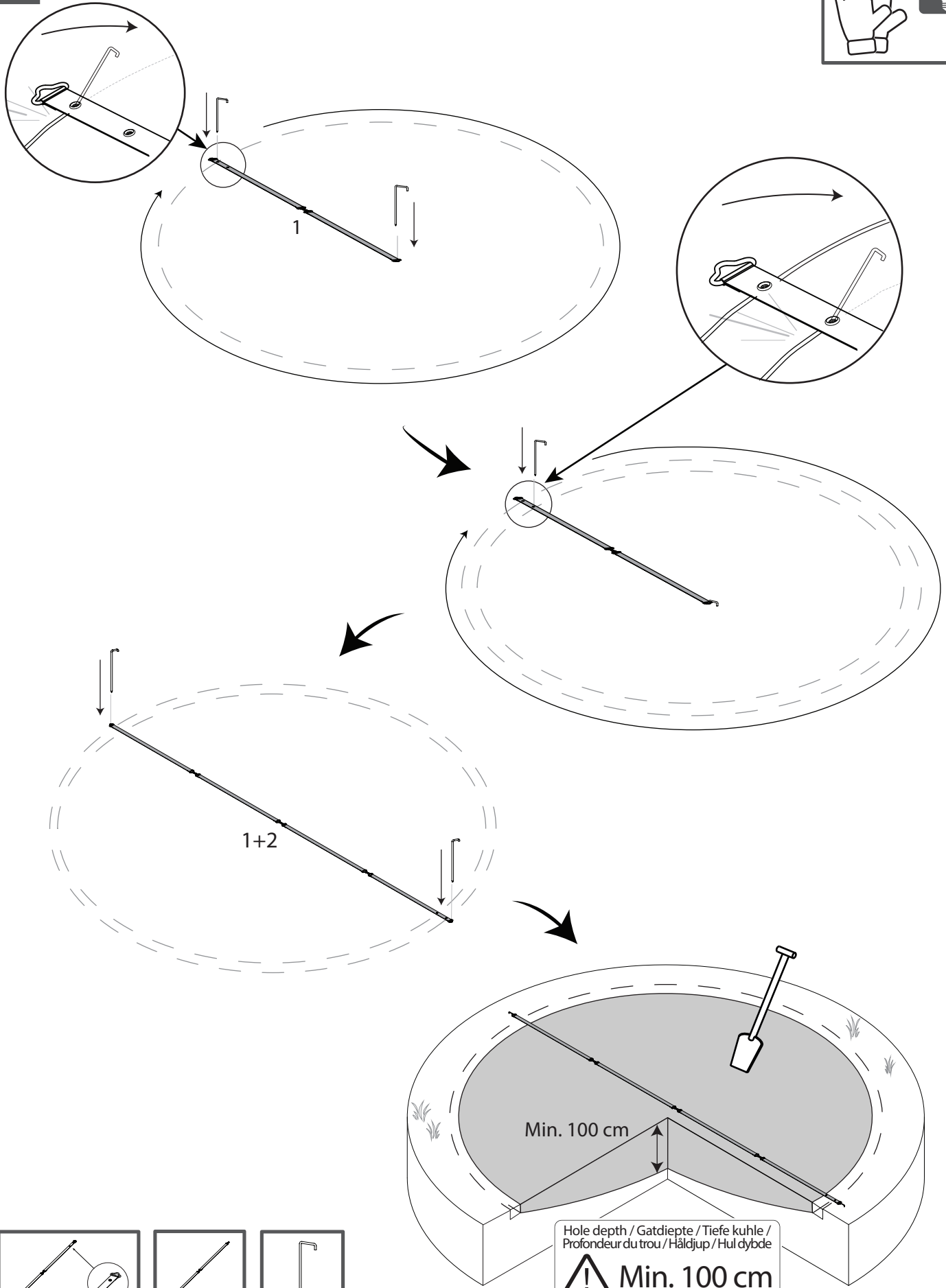
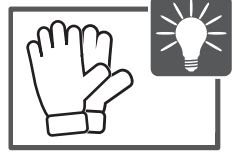
Go to the BERG toys channel on



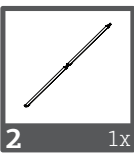
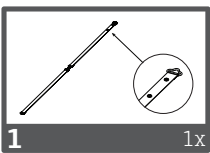
for installation instruction video's
www.youtube.com/bergtoys

 <p>1 1x</p>	 <p>2 1x</p>	 <p>3 1x</p>	
 <p>4 4x</p>	 <p>5 4x</p>		
 <p>6 1x</p>	 <p>7 1x</p>		
 <p>8 16x</p> <p> $\varnothing 330 = 96x$ $\varnothing 380 = 112x$ $\varnothing 430 = 128x$ </p>	 <p>9 16x</p>	 <p>10 2x</p>	 <p>11 16x</p>
 <p>12 16x</p>	 <p>13 16x</p>	 <p>14 1x</p>	 <p>15 1x</p>

1

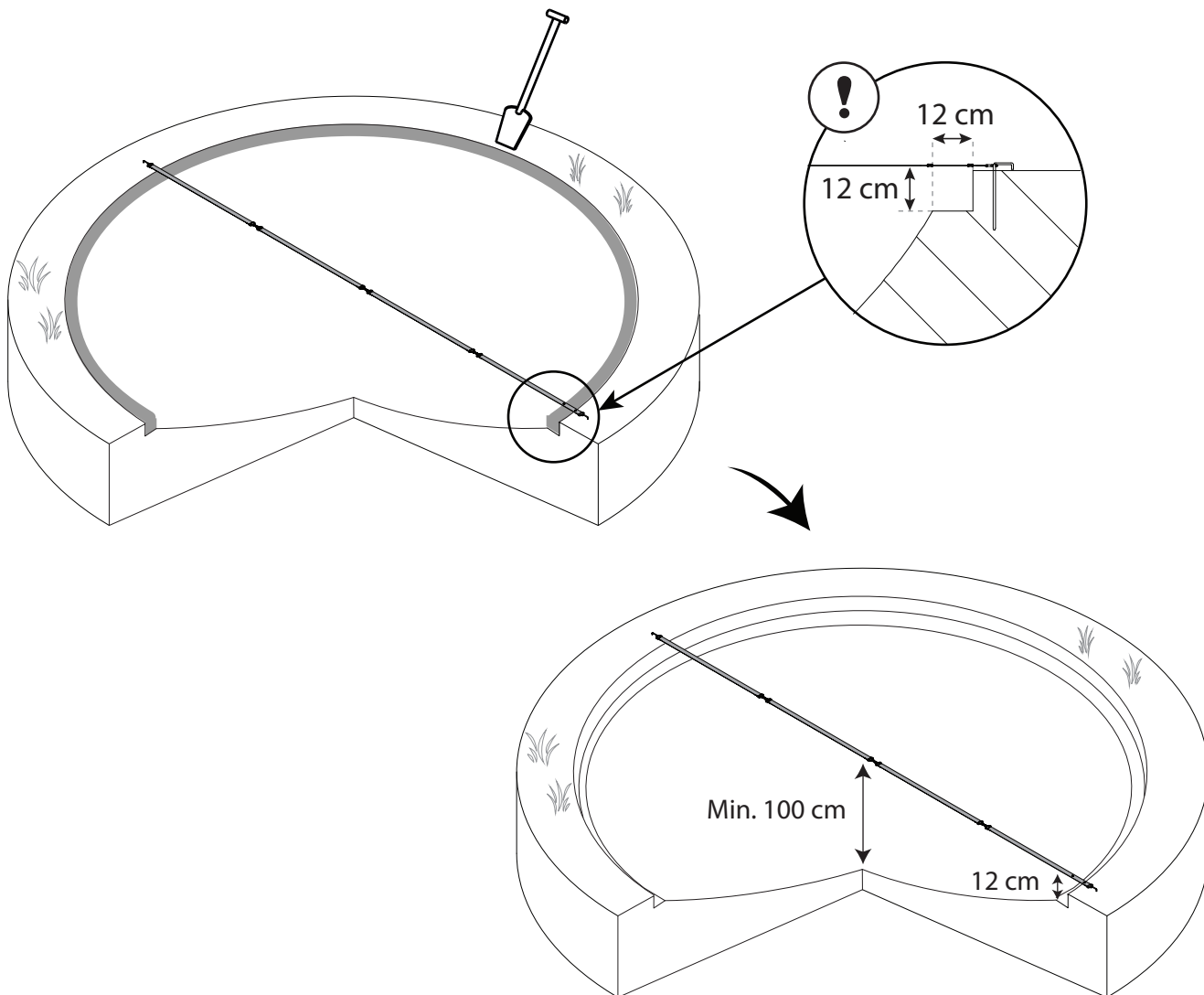
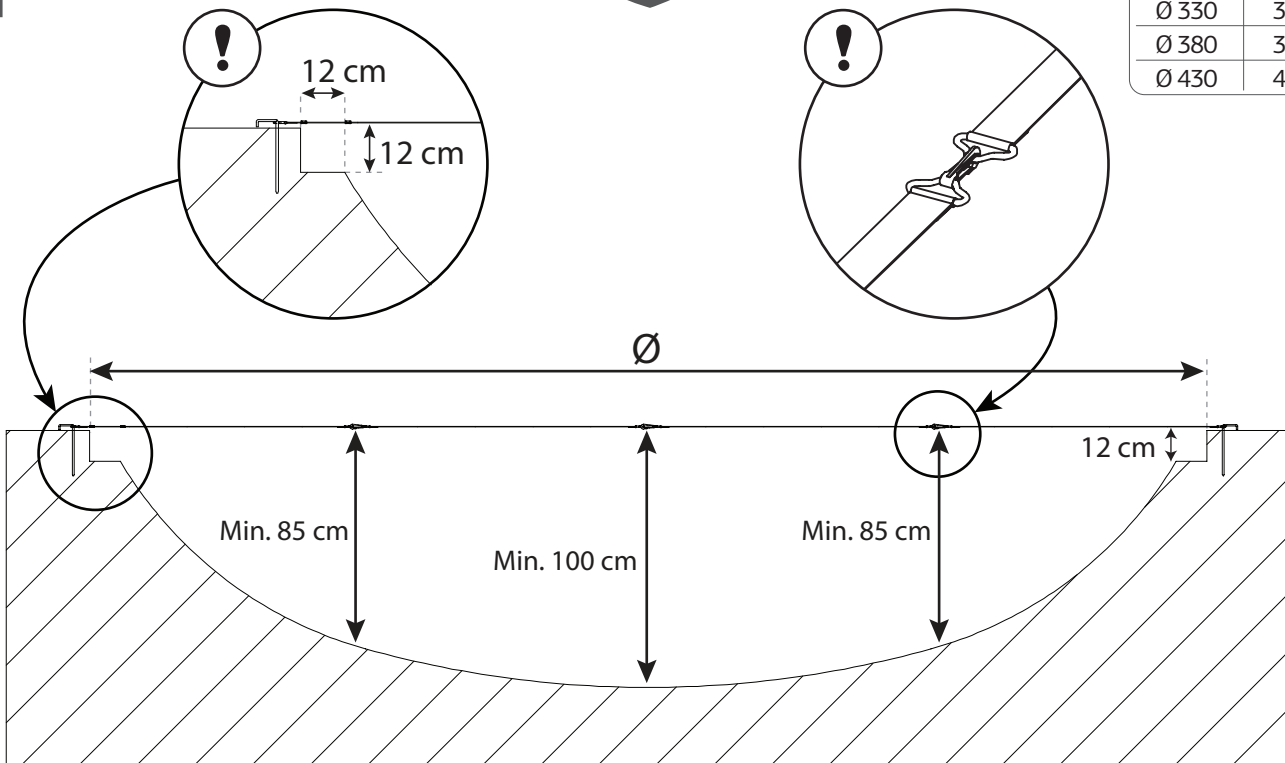


Hole depth / Gatdiepte / Tiefe kuhle /
Profondeur du trou / Håldjup / Hul dybde
 **Min. 100 cm**

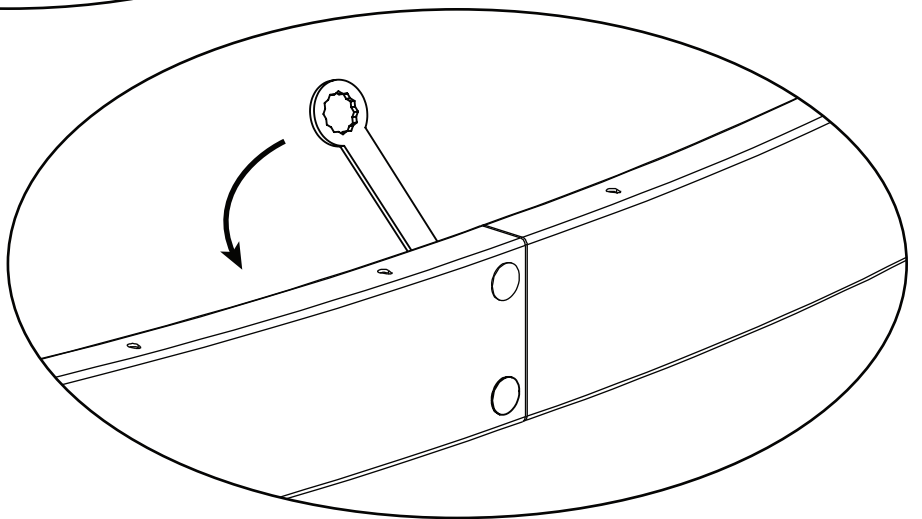
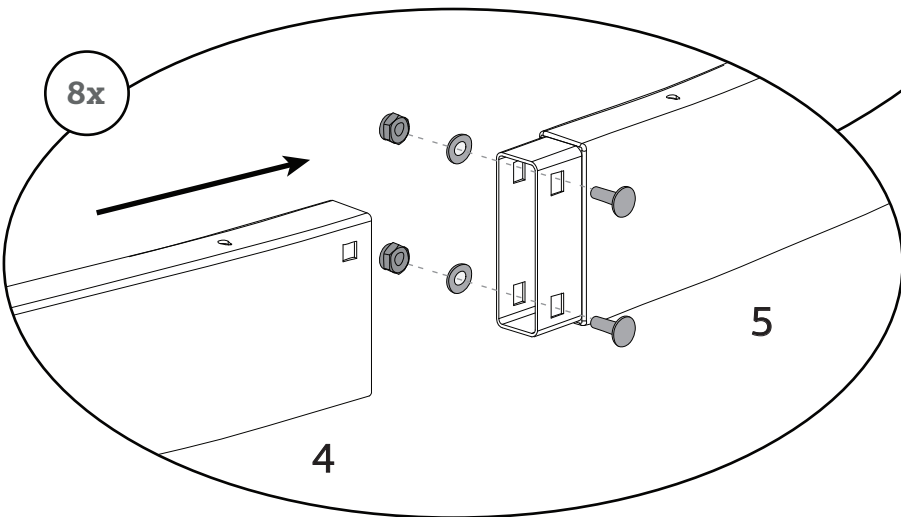
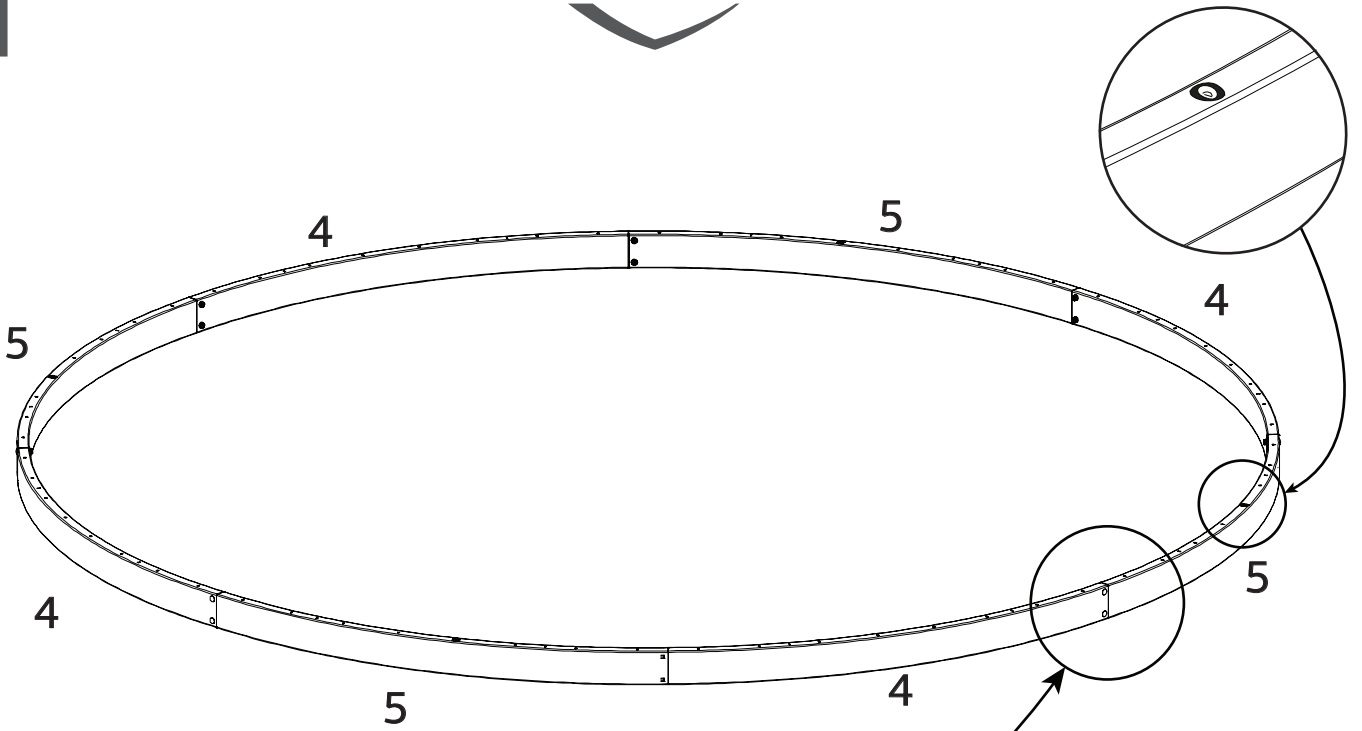


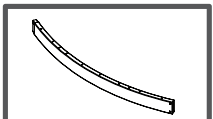
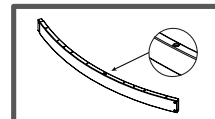
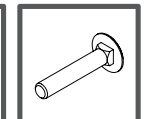
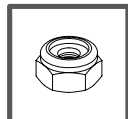
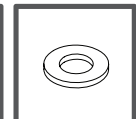
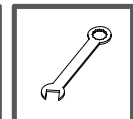
2

Ø	
Ø 330	3,3 m
Ø 380	3,8 m
Ø 430	4,3 m

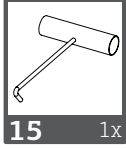
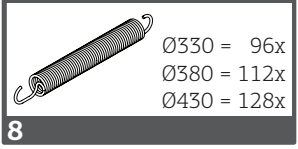
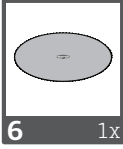
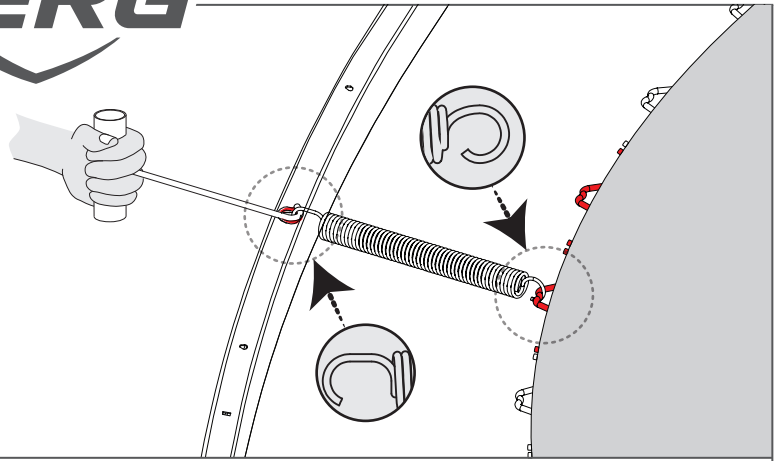


3

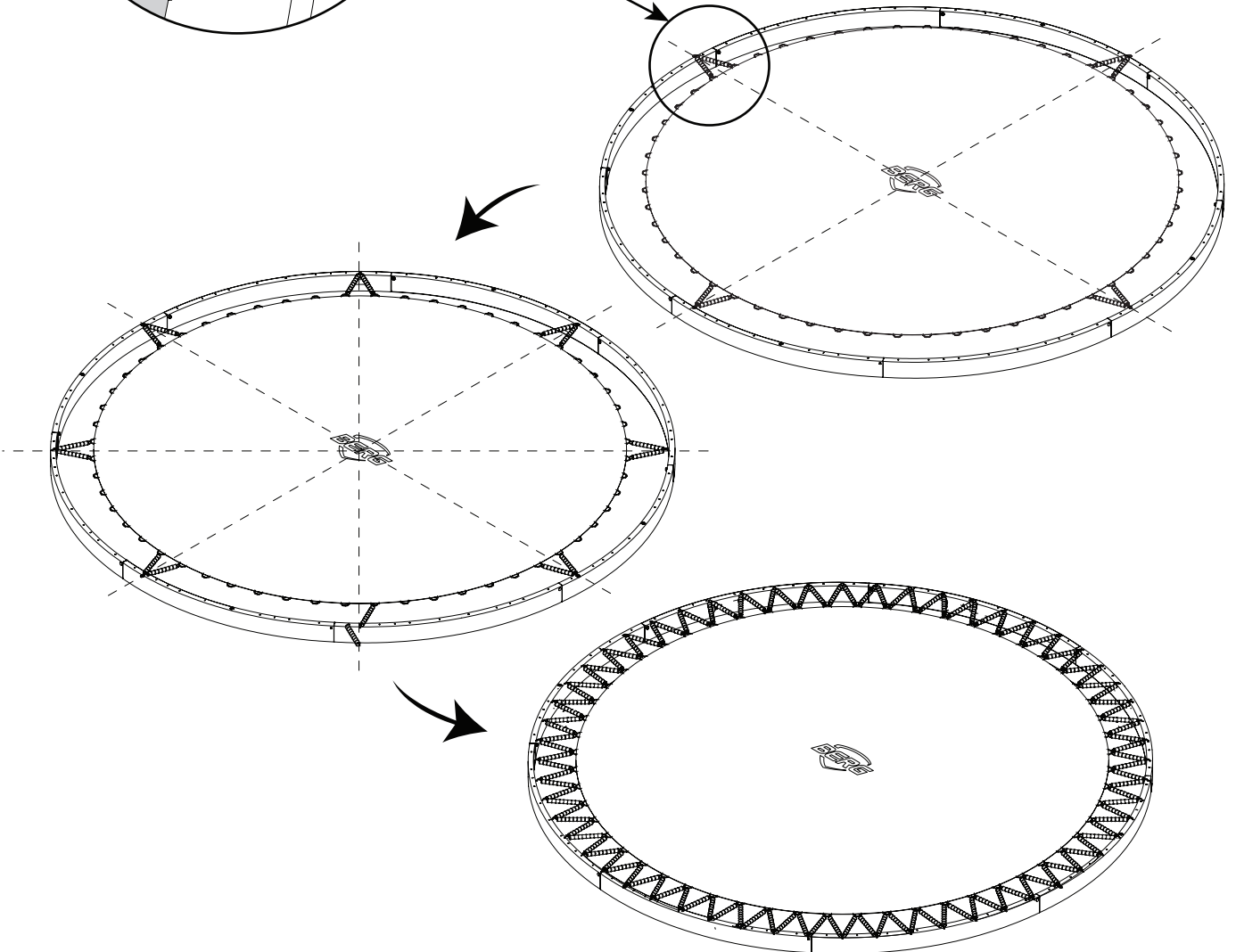
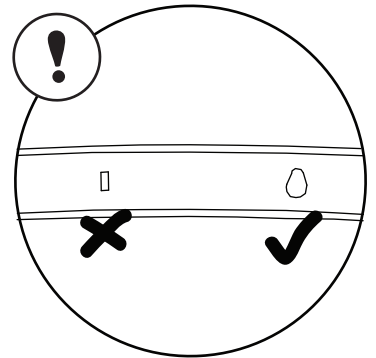
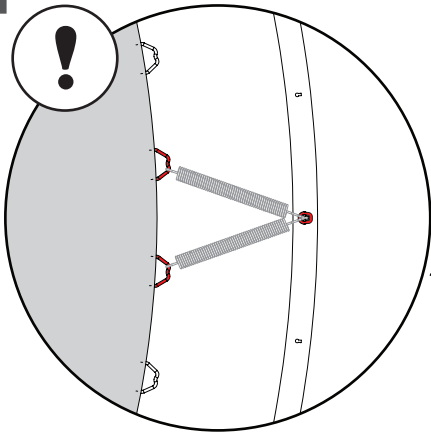


- | | | | | | | | | | | | |
|--|---|---|---|---|--|----|-----|----|-----|----|----|
|  |  |  |  |  |  | | | | | | |
| 4 | 4x | 5 | 4x | 11 | 16x | 12 | 16x | 13 | 16x | 14 | 1x |

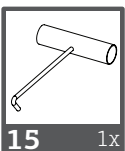
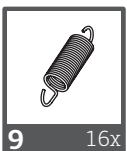
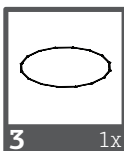
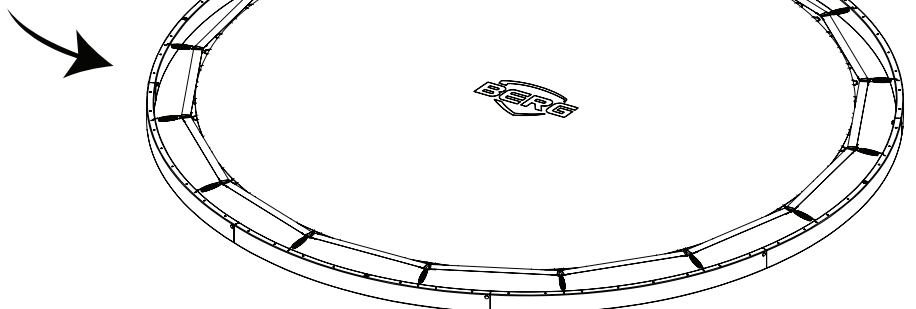
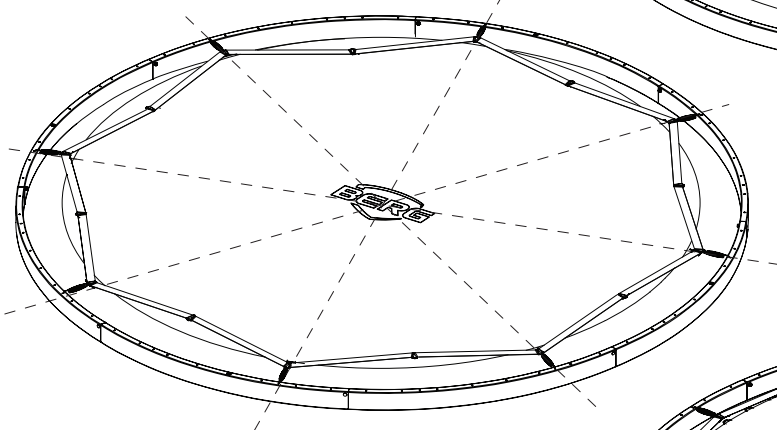
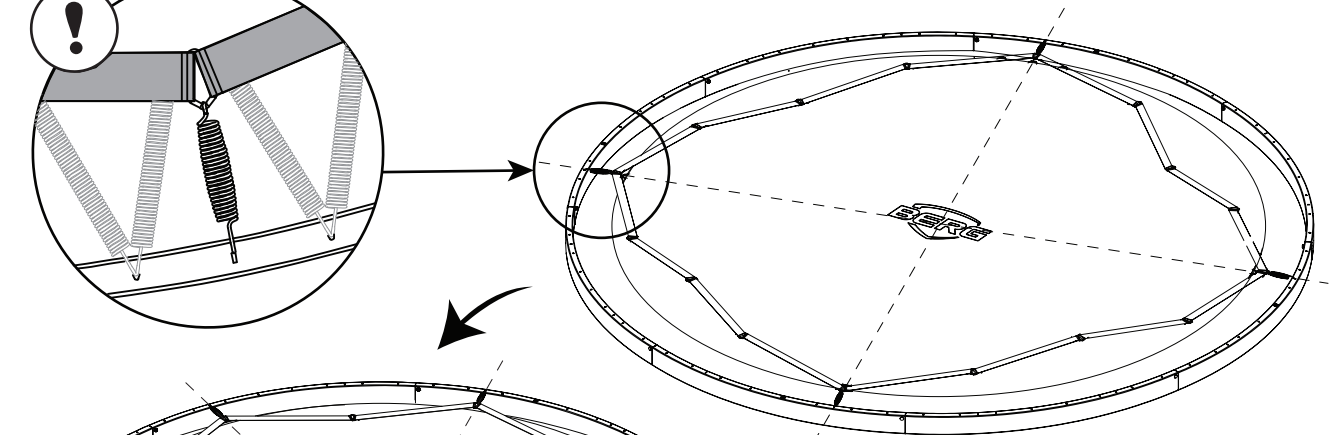
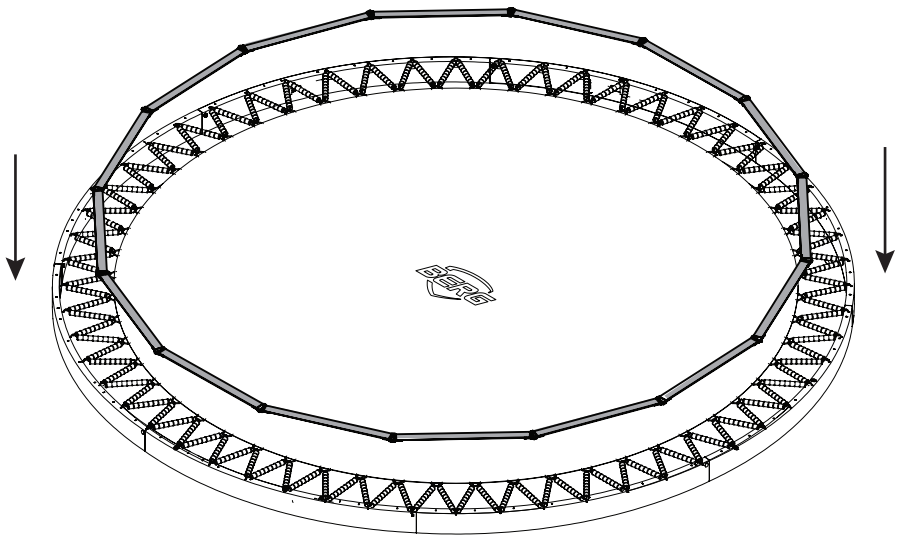
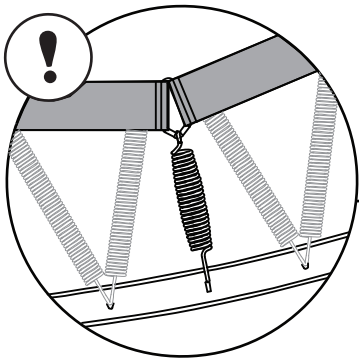
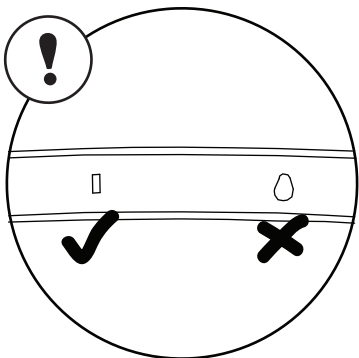
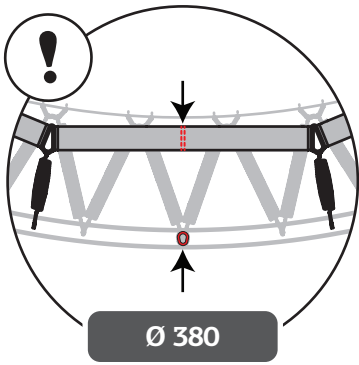
4



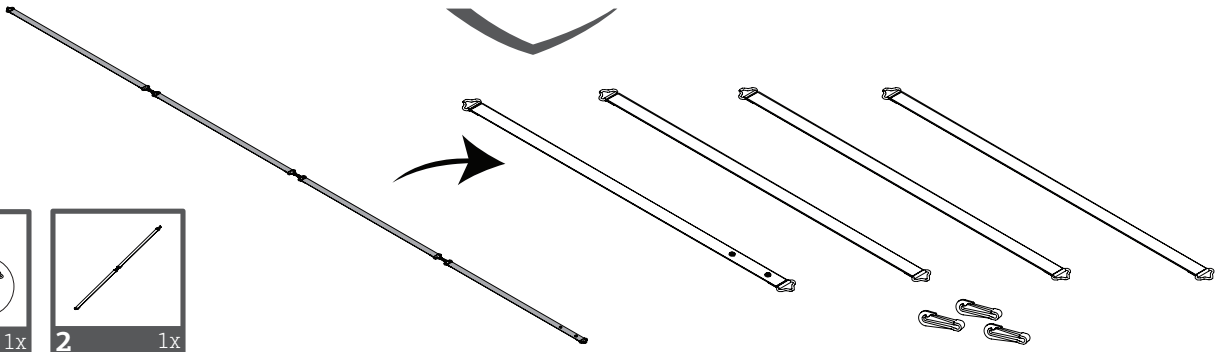
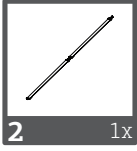
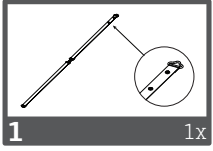
5



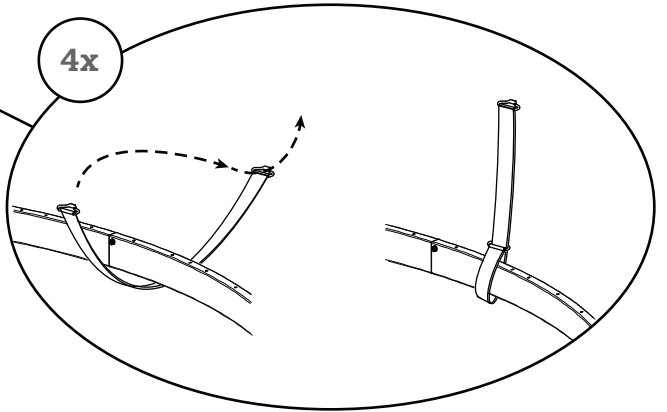
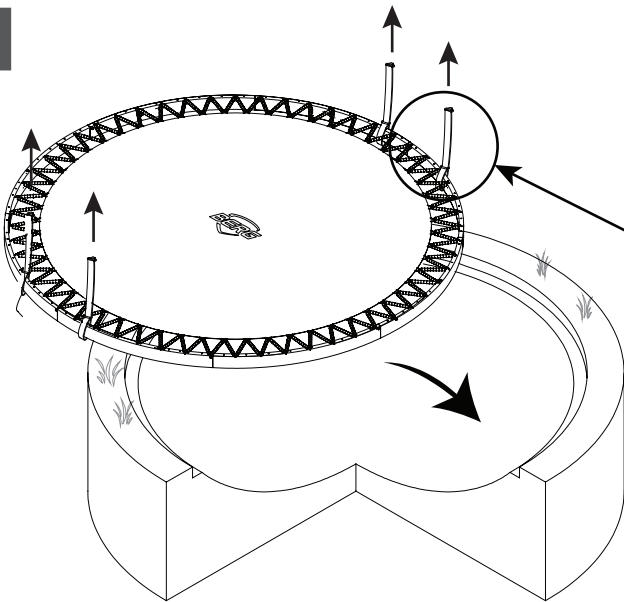
6



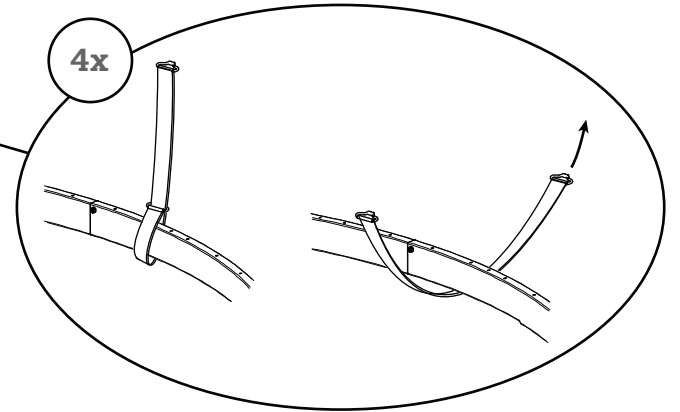
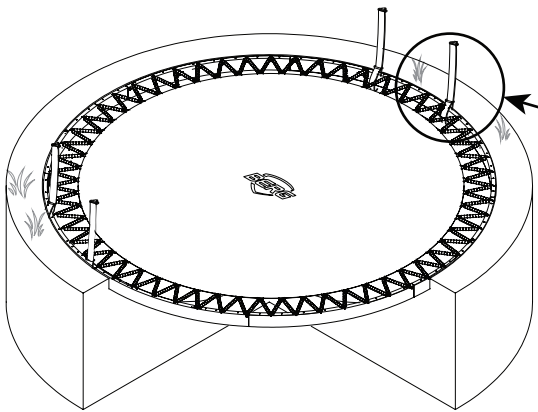
7



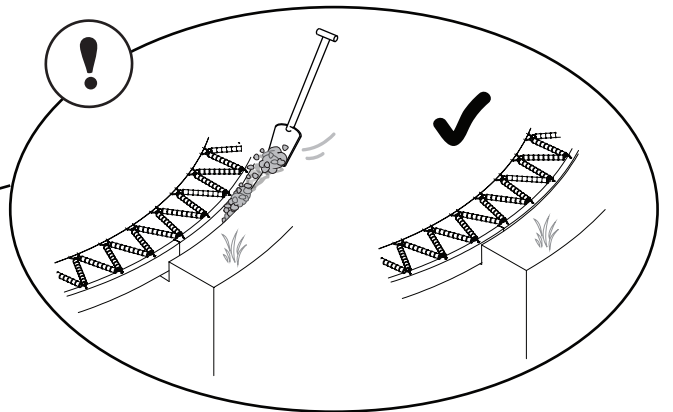
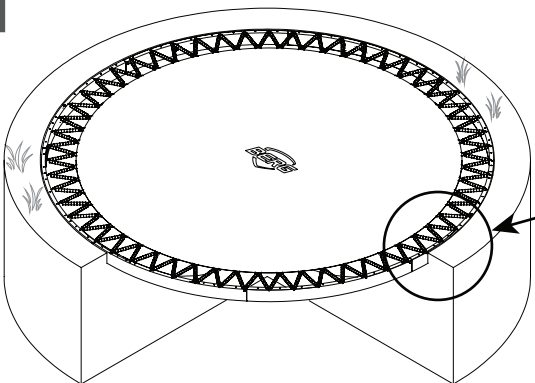
8



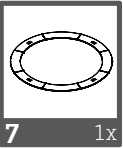
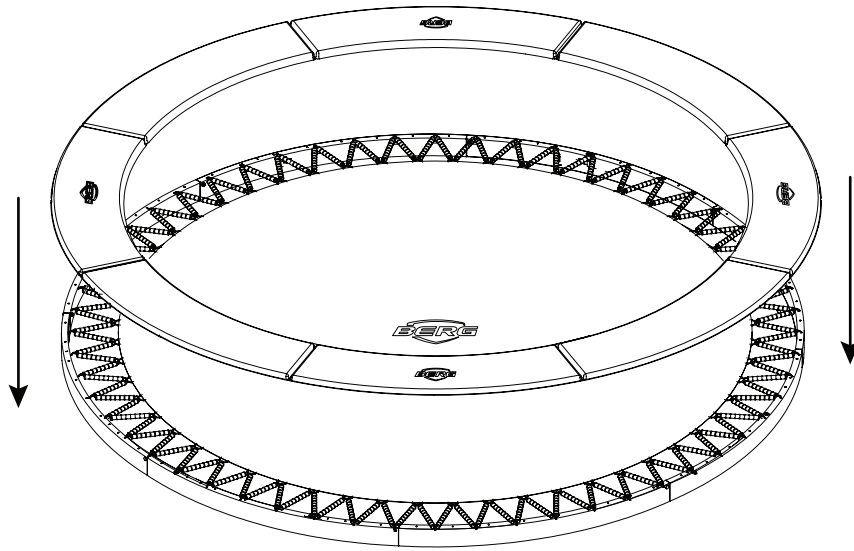
9



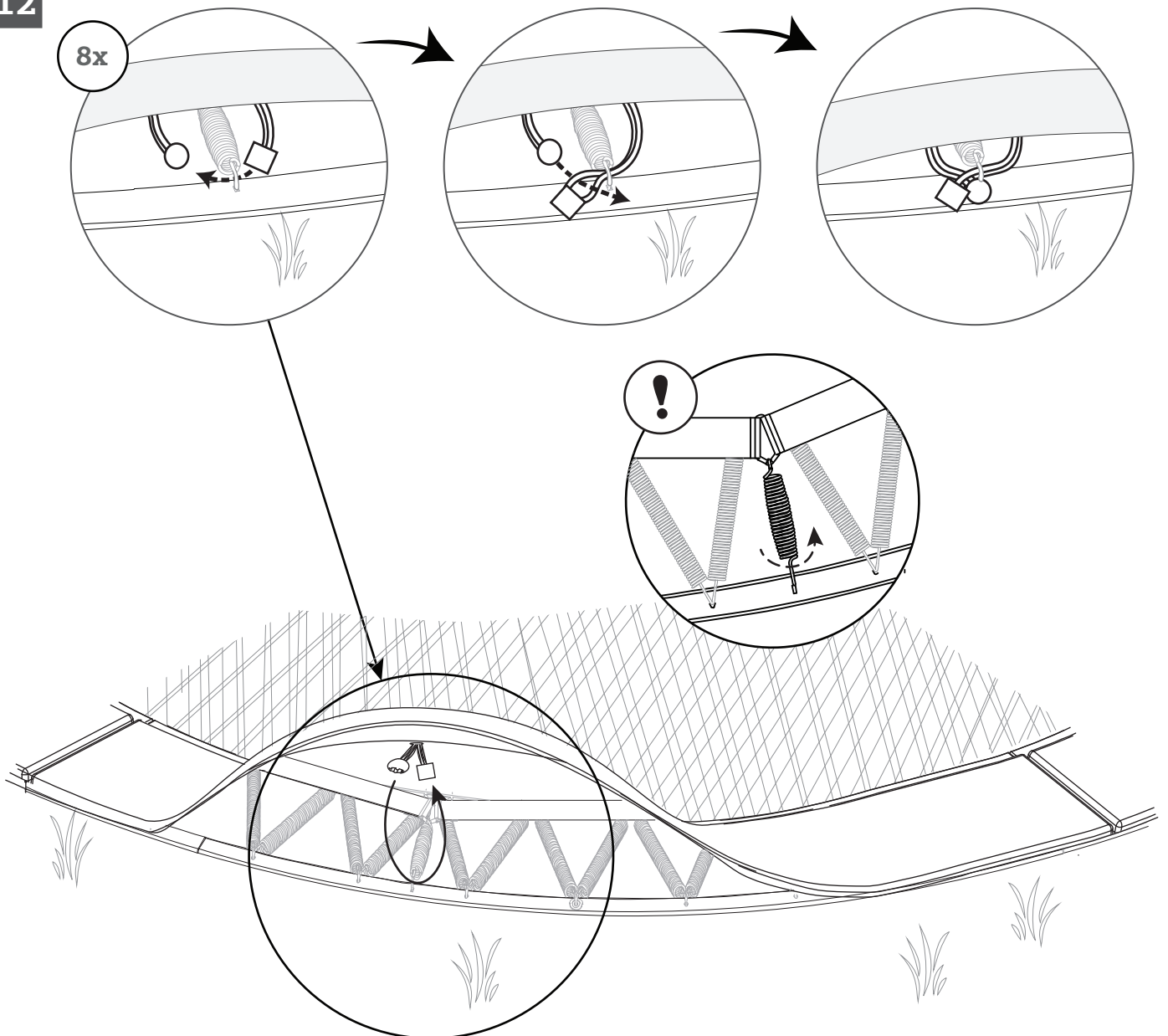
10



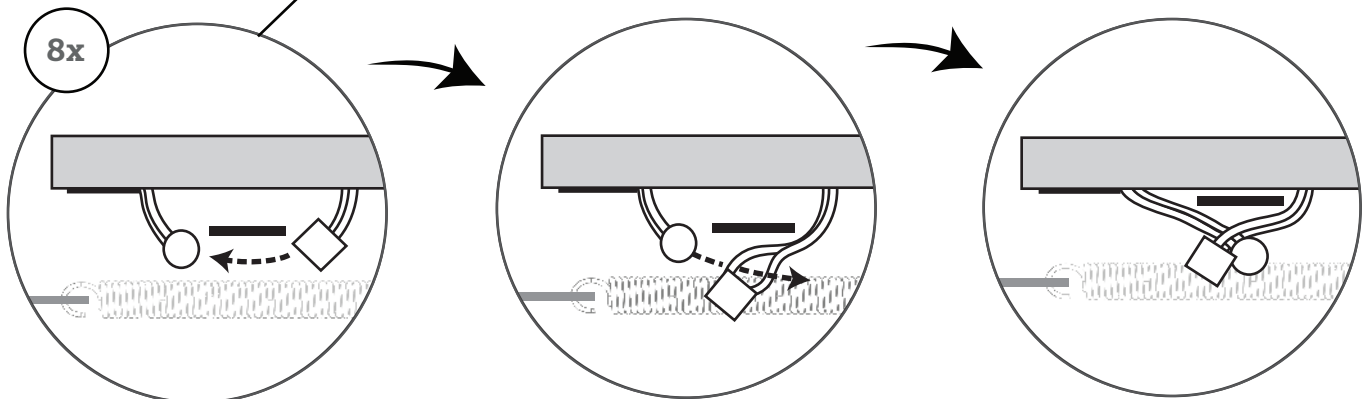
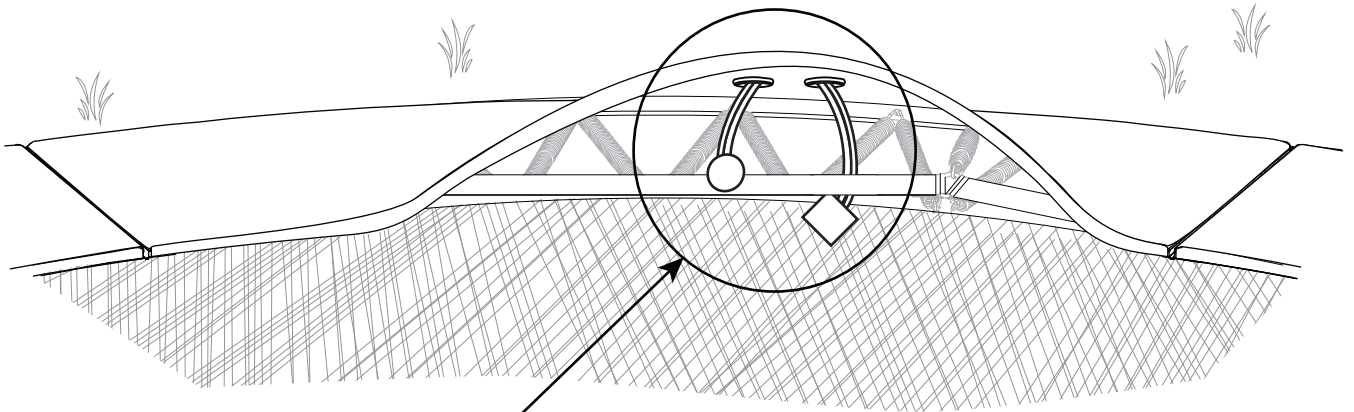
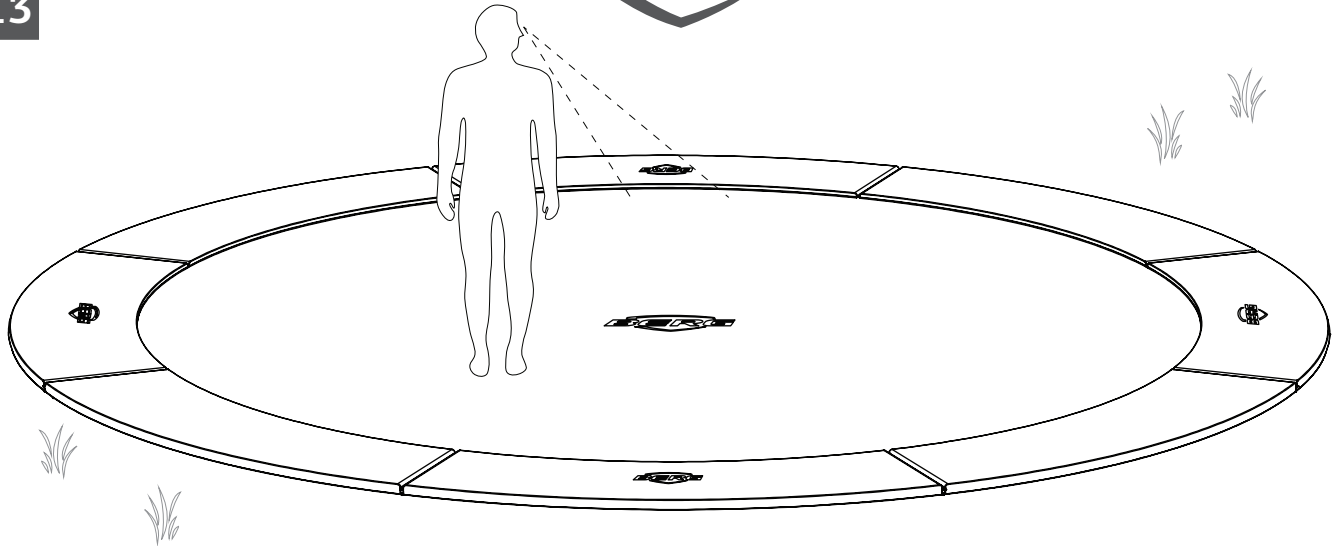
11



12



13





Index

1. Introduction
2. Warnings
3. Information
4. Jumping instructions
 - 4.1 Jumping Instructions
 - 4.2 Basic jumps
5. Assembly and maintenance instructions
 - 5.1 Installation and dismantling
 - 5.2 Maintenance instructions
6. Regular Trampoline + Safety Net
 - 6.1 Additional warnings:
 - 6.2 Additional assembly and maintenance instructions:
7. InGround Trampoline
 - 7.1 Additional warnings:
 - 7.2 Additional assembly and maintenance instructions:
8. FlatGround Trampoline
 - 8.1 Additional warnings:
 - 8.2 Additional assembly and maintenance instructions:
9. Safety Net
 - 9.1 Additional warnings:
10. Warranty
 - 10.1 Warranty period
 - 10.2 Warranty conditions

This trampoline is suitable for domestic use. Information about which trampolines are suitable for public use (such as use on campsites, in holiday parks, at restaurants, etc.) can be found at www.bergtoys.com.

1. Introduction

Thank you for choosing BERG as your trampoline purchase of choice. We are confident you will get many years of beneficial use and jumping pleasure. Trampoline usage encourages active and healthy play. It has a positive impact on stress, physical condition and blood circulation. Trampoline jumping is for the young and young at heart! This manual provides tips about assembly, safe use and jumping instructions for many years of trouble-free use. Jumping on a trampoline is not dangerous as long as you follow the safety instructions. BERG wishes you a fun and active jumping experience!

2. Warnings

- The maximum user weight is:

Ø330	Ø380	Ø430
100kg	110kg	120kg

- Not suitable for children under 36 months. Fall hazard.
- Not suitable for children under 36 months. Choking hazard, small parts.
- The trampoline should be assembled in accordance with the assembly instructions. Review the assembled trampoline prior to first use.
- The BERG trampoline is for outdoor use only.
- Read instructions thoroughly and keep for future reference.
- Only one user. Collision hazard. Use by multiple persons can cause serious injury.
- Jump without shoes
- Do not use the jump mat when it is wet.
- Empty pockets and hands before jumping.
- Always jump in the middle of the jump mat.
- Do not eat while jumping.
- Do not exit by a jump.
- Limit the time of continuous usage (make regular stops).
- Do not use in strong wind conditions and secure the trampoline.
- No somersaults. Landing on the head or neck can cause serious injury, even when landing in the middle of the jump mat.
- Adult supervision required.
- Usage of BERG trampoline while under the influence of alcohol or drugs is prohibited.
- The padding can become very hot in direct sunlight, be careful.
- Keep fire and other heat sources away from the trampoline.
- Objects and other obstacles that can interfere with jumping should be prohibited from the jumping area.
- Objects, animals or persons are prohibited underneath the BERG trampoline.
- Always jump in the middle of the mat. Avoid jumping on mat edge and trampoline padding.
- Movements that cause considerable friction (such as a "sliding" action) on the printing on the jumping mat or the padding are not recommended. Heavy friction when sliding over the printing on the jumping mat or the padding could result in the ink rubbing off onto skin or clothing. It may be difficult to remove the ink from clothing. The ink meets the stringent chemical requirements imposed on toy products, therefore contact with the skin or ingestion of this ink has no harmful effects on human health.

3. Information

- BERG product to be used as defined in manual. Usage that deviates from manual instruction may potentially lead to serious injury or damage of product. Read all instructions prior to trampoline usage. To ensure safe and enjoyable usage of the BERG trampoline, warnings, instructions for care and maintenance are included.
- Ensure a minimum clearance of at least 2 meters from trees, fences and any other surrounding obstacles.
- It is required to have a minimum overhead clearance of 7 meters measured from the ground.
- For safety reasons, unless BERG-approved, modifications or changes to the trampoline are prohibited.

4. Jumping instructions

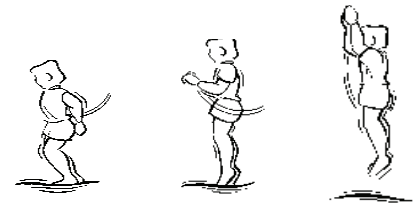
4.1 Jumping instructions

- When using a BERG Trampoline, it is essential that the correct posture is assumed. The correct posture and balance are obtained by tightening the right muscles, making it possible to practise trampolining safely.
- Good posture ensures safe usage of the BERG trampoline. When jumping, the body is exposed to shocks that require correct absorption. By tensing your muscles, you obtain better control over your balance and this results in more the jumping resilience. In contrast, a more relaxed posture leads to loss of energy and jumping resilience. Begin with the basic jumps and jumping positions and only increase complexity when mastered.
- To come to a stop position when jumping, bend and flex knees when your feet touch the mat. Learn this skill before attempting others.
- Learn fundamental bounces and body positions thoroughly before trying more advanced skills. A variety of jumping techniques can be carried out solo or in series and/or combinations between bounces.
- Avoid bouncing too high. First obtain jumping control with proper landing position in middle of mat. From a safety perspective, control is more important than height.
- To ensure and maintain control while jumping, ensure jumping posture is straight, head is in upright position and eyes are focused on the jump mat.
- Check the condition of the springs (broken or excessive stretching) and the attachment of the springs to the frame and jumping mat. The springs and the suspension system are subject to wear and tear; replace worn parts in time.

4.2 Basic jumps

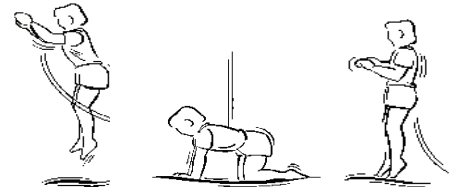
Basic bounce

Upright position, head held in upright position. Eyes focused on the jump mat. While jumping upwards, swing arms forward and in Circular motion and point your toes downwards. Keep feet positioned together, toes pointed downwards when returning back to the Jump mat. When landing on the Jump mat, keep your feet approximately 40 cm apart.



Hands and knees bounce

Commence with basic bounce. Keep eyes focused on jump mat. Swing arms forward and in circular motion. Land on hands and knees. Push off with hands and return to upright position.



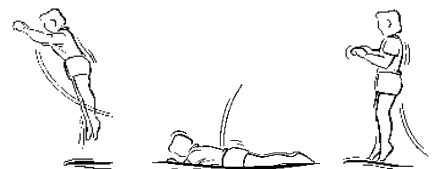
Seat drop

Commence with basic bounce. Keep eyes focused on jump mat. Land in sitting position. Place hands next to hips on jump mat when in sitting position. Push off with hands and return to upright position.



Stomach jumps

Commence with basic bounce and land on your stomach. Keep head straight. Keep arms extended forward on the jump mat. Push off with hands and return to upright position.



Back drop

Commence with basic bounce and land on your back. Keep chin pressed against your chest during landing. Kick forward and up with legs when returning to a standing position.



5. Assembly and maintenance instructions

5.1 Installation and dismantling

- Do not install the trampoline during windy weather, but wait until the wind has abated.
- We recommend wearing work gloves when installing the products.
- Ensure that the BERG Trampoline is installed on level ground. Use a spirit level to check this.
- The trampoline may have fixings with self-locking nuts. These self-locking nuts are for single use only and must be replaced when dismantling and reinstalling the trampoline.
- See page 3 and onwards for instructions on how to install the product.
- Install accessories according to the installation manual /guide.
- Should the trampoline require movement to another current location (short distance), disassemble the anchors (if any) first prior to relocation. It is recommended the trampoline be lifted via the top rails by at least 4 adults.
- Should the trampoline be removed and placed in an alternative area not close to original location, disassemble and place in original packaging. Re-assemble in accordance to the assembly and installation instructions.

5.2 Maintenance instructions

- Inspect the BERG Trampoline before each use according to the installation instructions and replace defective, worn or missing parts. Ignoring these instructions and failing to carry out maintenance could lead to dangerous situations and unnecessary risks for the user. To order original BERG Trampoline parts and accessories, please refer to your dealer or visit www.bergtoys.com.
- Check the condition of the frame parts (broken welds, bent frame or sharp and protruding parts) and replace them if necessary.
- Check the condition of the springs (broken or excessive stretching) and the attachment of the springs to the frame and jumping mat. The springs and the suspension system are subject to wear and tear; replace worn parts in time.
- Check that the bolt connections are tight and retighten them if necessary. Check that the connections (pressure pins) are secure and check that they do not come loose when trampolining.
- Check the condition of the jumping mat (damage, wrong tension, loose stitching or sagging of the mat). The jumping mat will wear out through use and exposure to sunlight (UV radiation). Replace the jumping mat in time when the condition of the mat starts to deteriorate.
- Check the condition of the protective edge and its attachment to the frame. Replace a defective protective edge.
- Fertilisers (liquid fertiliser or fertiliser granules, etc) must not be used within a 2-metre radius of a BERG Trampoline. The use of such products can be harmful to the trampoline materials.
- The jumping mat and protective edge are easily cleaned with a cloth and some cold or lukewarm water. Do not use solvents, detergent, soap powder or hot water under any circumstances.
- Repairs must be carried out by a professional. Please consult your BERG dealer.

6. Regular Trampoline + Safety Net

6.1 Additional warnings:

- The BERG trampoline is not recommended for use by children under 6 years of age.
- This trampoline is not intended to be dug into the ground and used as an in-ground configuration.
- Installing the BERG trampoline on concrete, asphalt or any other hard surface or in proximity of other playground installations (pools, swings, slide sets or any other play structures) is prohibited.
- See Chapter 9 for additional warnings about the safety net.

6.2 Additional assembly and maintenance instructions:

- Strong winds and gusts can displace the trampoline. We recommend anchoring the trampoline with stakes or sandbags, or removing the jumping mat prior to windy weather.
- In some countries, the weight of the snow in winter and the very low temperatures can damage the trampoline. BERG recommends storing the jumping mat and the safety net indoors in winter.
- Ensure a secure and safe environment when the trampoline is not in use. Protect it against unauthorized use. When a trampoline ladder is used, remove when left unattended. This to ensure no access for children without supervision.
- If the trampoline is not used for short periods of time and to avoid jump mat debris caused by fallen leaves and twigs, BERG recommends usage of a BERG Weather Cover. When the trampoline is not used for a longer period of time (e.g. during the winter) BERG recommends storing the trampoline, especially the protective padding, in a dry area to support product longevity.



7. InGround Trampoline

7.1 Additional warnings:

- The BERG trampoline is not recommended for use by children under 6 years of age.
- **Warning.** Installation of the trampoline requires a hole to be dug in the ground. If you are not sure about the ground work, please contact a professional.
- Objects, animals and people are not allowed under the BERG Trampoline. If you remove the protective edge, check that nothing is lying underneath the trampoline before reattaching it.
- Installing the BERG trampoline on concrete, asphalt or any other hard surface or in proximity of other playground installations (pools, swings, slide sets or any other play structures) is prohibited.
- If the trampoline is used with a safety net, see Chapter 9 for additional warnings about safety nets.

7.2 Additional assembly and maintenance instructions:

- Location: Find a suitable place for the installation of the trampoline ensuring there are no surrounding obstacles. Verify soil condition and characteristics of designated location to determine installation suitability.
- While digging the hole, soil should be firm to avoid collapsing due to erosion. If necessary, strengthen the sides of the hole or make them smooth to prevent this.
- If the ground is too hard to dig, it would be better to choose another location, or contact a groundwork professional.
- Verify if a high ground-water level does not contribute to a collection of water in the hole. In addition, verify there is adequate drainage to dispose rain water.
- In addition, verify there is adequate drainage to dispose rain water.
- After a rainy period and prior to usage, inspect the trampoline hole. Ensure there is adequate drainage to dispose of rain water.
- As per the diagram in the installation manual, use the included tape measure (located in the packaging) to measure and determine the correct diameter, depth and shape of the dug hole. Ensure the hole will be dug according to specifications and that the walls are shaped not too steep. Deviation from hole specifications can result in unwanted wall collapse and trampoline instability.
- The legs of the trampoline support the trampoline frame. Ensure the position of the legs are equal in height and rest firmly on the ground. Anchor the legs with the supplied stakes.
- Inspect the hole under the trampoline regularly (at least 1x per year) and take corrective action if necessary. As indicated in the installation instructions, check the hole for the right depth, the right shape, the stability of the frame, and whether the trampoline is still level with the ground. Check the hole for hidden objects and remove them if necessary.
- In some countries, the weight of the snow in winter and the very low temperatures can damage the trampoline. BERG recommends clearing snow from the trampoline on a regular basis.
- When the trampoline is not used over short periods, it can be covered with a BERG Cover, which will keep the trampoline free from leaves and twigs. When the trampoline is not used over longer periods (e.g. during winter), we recommend storing the protective edge in a dry place for a longer product life.

8. FlatGround Trampoline

8.1 Additional warnings:

- The BERG trampoline is not recommended for use by children under 6 years of age.
- **Warning.** Installation of the trampoline requires a hole to be dug in the ground. If you are not sure about the ground work, please contact a professional.
- Objects, animals and people are not allowed under the BERG Trampoline. If you remove the protective edge, check that nothing is lying underneath the trampoline before reattaching it.
- If the trampoline is used with a safety net, see Chapter 9 for additional warnings about safety nets.

8.2 Additional assembly and maintenance instructions:

- Location: Find a suitable place for the installation of the trampoline ensuring there are no surrounding obstacles. Verify soil condition and characteristics of designated location to determine installation suitability.
- While digging the hole, soil should be firm to avoid collapsing due to erosion. If necessary, strengthen the sides of the hole or make them smooth to prevent this.
- If the ground is too hard to dig, it would be better to choose another location, or contact a groundwork professional.
- Verify if a high ground-water level does not contribute to a collection of water in the hole. In addition, verify there is adequate drainage to dispose rain water.

- In addition, verify there is adequate drainage to dispose rain water.
- After a rainy period and prior to usage, inspect the trampoline hole. Ensure there is adequate drainage to dispose of rain water.
- As per the diagram in the installation manual, use the included tape measure (located in the packaging) to measure and determine the correct diameter, depth and shape of the dug hole.
- Inspect the hole under the trampoline regularly (at least 1x per year) and take corrective action if necessary. As indicated in the installation instructions, check the hole for the right depth, the right shape, the stability of the frame, and whether the trampoline is still level with the ground. Check the hole for hidden objects and remove them if necessary.

9. Safety Net

9.1 Additional warnings:

- Ensure entrance of safety net is completely closed prior to BERG trampoline usage.
- Jumping over the safety net is prohibited.
- Crawling between trampoline padding and underside of safety net is prohibited.
- The safety net is intended to make trampolining safer; do not deliberately jump into the safety net or hang onto the net or climb up it.
- Ensure clothing of user does not contain any hooks, loops, drawstrings or other loose parts that could potentially latch on to the safety net.
- Attaching non-BERG compliant accessory or sparepart to the BERG safety net is prohibited.
- Climbing on the poles of the safety net is prohibited.
- Safety net entrance is the only entrance or exit point of the BERG trampoline.
- Keep fire away from the safety net.
- The net should be replaced every 5 year(s) (or earlier when loss of functionality).
- We recommend dismantling the safety net prior to severe windy or gusty weather conditions.



10. Warranty

10.1 Warranty period

BERG trampolines are of excellent quality. To provide you with years of carefree fun on our trampolines, BERG offers you a functionality warranty. A functionality warranty is a warranty regarding its functional use. Please consult the table below for the term of this warranty (years).

Frame	10
Frame (after product registration)	13 (10+3)
Padding (Champion)	2
Padding (Elite)	5
Jump mat	2
Springs	5
Safety Net	2

With exception to the 1 year warranty of the BERG weather cover basic, the BERG safety nets and accessories are subject to a warranty period of 2 years. Parts that are susceptible to wear and tear (eg. elastics), the influences of weather (eg. rust and discolouration) and the foam on the BERG safety net tubes are excluded from warranty.

10.2 Warranty conditions

The owner of the product can only claim warranty by presenting the original receipt of purchase. The warranty applies only to material and manufacturing defects related to the BERG product and related parts.

The warranty becomes nul and void if:

- The product is used improperly and / or negligently.
- The product is not assembled and maintained in accordance with the instruction manual.
- Technical repairs made to the product are not carried out in a professional manner.
- Replacement parts do not correspond to the technical specifications of the product in question or are installed incorrectly.
- Damage caused by the influences of weather such as rust, UV rays or normal wear and tear.
- Improper burial of the BERG Trampoline.
- The product is used for rental purposes or made available for usage by a 3rd party.
- During the warranty period, all material and construction assessed faults will be repaired or replaced by BERG. Repairs handled at no cost is applicable provided the product is still within its warranty period as stated in article 10.1.
- BERG warranty can only be honored if the original proof of purchase is rendered to the BERG authorized dealer. Should the owner have re-located or the BERG dealer is no longer operational, BERG can recommend an alternative BERG dealership.
- If the warranty claim is not honored, all costs incurred must be paid by the owner.
- This warranty is not transferable to third parties.

BERG



PRODUCT REGISTRATION

Would you like free supplementary guarantee?*

Don't forget to register your product online immediately!
Go to **www.bergtoys.com/registration**.

This product registration entitles you to 3 years extended warranty on the frame of your go-kart or trampoline. This extended warranty is in addition to the standard warranty on the frame that you receive.

*For the conditions, please visit www.bergtoys.com/registration



www.bergtoys.com/registration



Index

1. Introductie
2. Waarschuwingen
3. Informatie
4. Spring instructies
 - 4.1 Spring instructies
 - 4.2 Basissprongen
5. Montage- en onderhoudsinstructies
 - 5.1 Montage en demontage
 - 5.2 Onderhoudsinstructies
6. Regular Trampoline + Safety Net
 - 6.1 Aanvullende waarschuwingen
 - 6.2 Aanvullende montage- en onderhoudsinstructies
7. InGround Trampoline
 - 7.1 Aanvullende waarschuwingen
 - 7.2 Aanvullende montage- en onderhoudsinstructies
8. FlatGround Trampoline
 - 8.1 Aanvullende waarschuwingen
 - 8.2 Aanvullende montage- en onderhoudsinstructies
9. Safety Net
 - 9.1 Aanvullende waarschuwingen
10. Garantie
 - 10.1 Garantie termijn
 - 10.2 Garantie regeling

Deze trampoline is geschikt voor huishoudelijk gebruik. Informatie over welke trampolines geschikt zijn voor publiek gebruik (zoals bijvoorbeeld gebruik op een camping, vakantiepark, bij een restaurant, etc.) kunt u vinden op de website www.bergtoys.com.

1. Introductie

Bedankt voor het kiezen van een BERG trampoline. Wij zijn ervan overtuigd dat u vele jaren nuttig gebruik en springplezier zal hebben. Trampoline springen is leuk en gezond. Het werkt stressverlagend, verbetert de conditie en de bloedsomloop. Trampoline springen is voor jong en oud. Voor jarenlang probleemloos gebruik vindt u in deze handleiding tips voor montage, veiligheid, onderhoud en springinstructies. Trampoline springen is niet gevaarlijk zolang deze tips en instructies worden opgevolgd. BERG wenst u heel veel springplezier!

2. Waarschuwingen

- Het maximale gebruikersgewicht is:

Ø330	Ø380	Ø430
100kg	110kg	120kg

- Niet geschikt voor kinderen jonger dan 36 maanden. Valgevaar.
- Niet geschikt voor kinderen jonger dan 36 maanden. Verstikkingsgevaar, kleine onderdelen.
- De trampoline moet volgens de montage-instructies in elkaar gezet worden door een volwassene en vóór het eerste gebruik gecontroleerd worden.
- De BERG trampoline is alleen bestemd voor buitengebruik.
- Lees de gebruiksaanwijzing, en bewaar deze voor de toekomst.
- Eén gebruiker tegelijk. Risico op botsen. Gebruik door meerdere personen tegelijkertijd kan ernstig letsel veroorzaken.
- Spring zonder schoenen.
- Niet gebruiken indien de mat nat is.
- Voor het springen handen en zakken leegmaken.
- Spring altijd in het midden van het springdoek.
- Niet eten tijdens het springen.
- Verlaat de trampoline niet met een sprong.
- Niet langdurig gebruiken, beperk de tijd (stop regelmatig).
- Niet gebruiken bij sterke wind en zet de trampoline vast.
- Geen salto's. Een landing op het hoofd of nek, kan zelfs in het midden van het springdoek, leiden tot ernstig letsel.
- Toezicht door volwassene vereist.
- Gebruik de BERG trampoline nooit wanneer u onder invloed van alcohol of drugs bent.
- De beschermrand kan onder invloed van de zon erg warm worden, let hierop.
- Houd vuur en andere hittebronnen uit de buurt van de trampoline.
- Houd voorwerpen en obstakels die in aanraking kunnen komen met de gebruiker uit de buurt van trampoline.
- Objecten, dieren en personen zijn verboden onder de BERG trampoline.
- Spring niet op de rand van het springdoek en niet op de afdekrand van het frame. Spring alleen in het midden van het springdoek.
- Bewegingen met flinke wrijving (zoals bijvoorbeeld het maken van "slidings") over de prints op het springdoek of de beschermrand worden afgeraden. Bij sterke wrijving over de prints op het springdoek of de beschermrand is het mogelijk dat de print-inkt, kleur afgeeft. Het kan lastig zijn de inkt uit kleding te verwijderen. De inkt voldoet aan de strenge chemische eisen die gesteld worden aan speelgoedproducten, waardoor huidcontact of het binnenkrijgen van deze inkt geen schadelijke gevolgen heeft voor de gezondheid.

3. Informatie

- Gebruik het BERG product alleen zoals beschreven in de handleiding. Afwijkend gebruik kan resulteren in ernstige verwondingen bij de gebruiker en beschadigen aanrichten aan het product. Lees alle instructies voor het gebruik van de trampoline. Om veilig en prettig gebruik te maken van de BERG trampoline zijn waarschuwingen, instructies voor onderhoud en gebruik van de trampoline in deze handleiding beschreven.
- Er moet een vrije ruimte van minimaal 2 meter rondom de trampoline zijn, vrij van bomen, hekwerken en ander obstakels.
- Zorg voor minimaal 7 meter vrije hoogte gemeten vanaf de grond.
- Om veiligheidsredenen zijn wijzigingen of veranderingen aan de trampoline niet toegestaan. Alleen veranderingen die zijn afgestemd met, of overeenkomstig aanwijzingen van, BERG zijn toegestaan.

4. Spring instructies

4.1 Spring instructies

- Bij gebruik van de BERG trampoline is het een vereiste om een juiste houding aan te nemen. De juiste houding en balans worden verkregen door het aanspannen van de juiste spieren en maakt het mogelijk om veilig trampoline te kunnen springen.
- Tijdens het springen wordt het lichaam blootgesteld aan schokken die op een correcte manier moeten worden opgevangen. Wanneer u uw spieren aanspant krijgt u betere controle over uw evenwicht en de spring- en veerkracht van het lichaam neemt toe. Een meer ontspannen houding leidt tot verlies aan energie en de spring- en veerkracht van het lichaam neemt af. Begin met de basis sprongen en probeer geen ingewikkelde sprongen voordat u de basissprongen beheerst. Om te stoppen met springen dient u uw knieën in te trekken wanneer uw voeten met het springdoek in contact komen.
- Stoppen met springen bereikt u door uw knieën te buigen wanneer uw voeten in contact komen met het springdoek van de trampoline. Leer deze vaardigheid voordat u andere vaardigheden gaat oefenen.
- Samengestelde trampoline oefeningen kunnen uitgevoerd worden door het combineren van verschillende, eenvoudige sprongen of met basissprongen hier tussen.
- Spring niet te hoog. Controle over het springen is belangrijker dan hoog springen. Blijf laag springen tot de sprong onder controle is en er herhaaldelijk in het midden van het springdoek kan worden geland.
- Sta rechtop en houd het hoofd recht. Houd de ogen op het springdoek gericht. Hiermee behoudt u controle over de sprong.

4.2 Enkele basissprongen

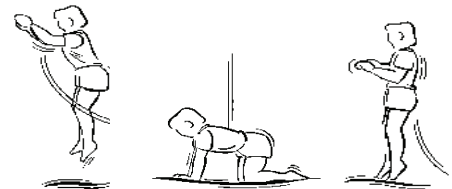
Basissprong

Sta rechtop en houd het hoofd recht. Houd de ogen op het springdoek gericht. Zwaai de armen vooruit en omhoog in een cirkelvormige beweging. Houd de voeten bij elkaar en richt de tenen tijdens het springen naar beneden. Houd de voeten bij het landen ongeveer 40 cm uit elkaar.



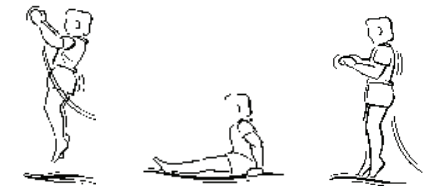
Hand en kniesprong

Start met de basissprong. Houd de ogen op het springdoek gericht. Zwaai de armen vooruit en omhoog in een cirkelvormige beweging. Land op handen en knieën. Duw af met de handen en kom in rechte houding overeind.



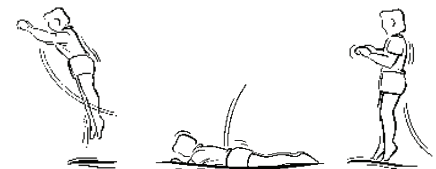
Zitsprong

Start met de basissprong. Houd de ogen op het springdoek gericht. Land in zithouding. Plaats de handen naast de heupen op het springdoek. Duw af met de handen en kom in rechte houding overeind.



Buiksprong

Start met de basissprong en kom neer op de buik. Houd het hoofd recht. Houd de armen voor het hoofd op het springdoek. Duw af met de armen om recht terug te komen.



Rugsprong

Start met de basissprong en kom neer op de rug. Houd tijdens het neerkomen de kin tegen de borst geklemd. Sla de benen vooruit en omhoog wanneer u recht overeind komt.



5. Montage en onderhoudsinstructies

5.1 Montage & demontage

- Monteer de trampoline niet bij harde wind, wacht tot deze is gaan liggen.
- Bij de montage van de producten raden wij het dragen van werkhandschoenen aan.
- Zorg ervoor dat de BERG trampoline waterpas staat. Gebruik hiervoor een waterpas.
- De trampoline kan bevestigingen met zelfborgende moeren bevatten. Deze zelfborgende moeren zijn uitsluitend voor éénmalig gebruik. Bij demontage en opnieuw monteren, moeten deze zelfborgende moeren worden vervangen.
- Zie pagina 3 en verder voor instructies voor de montage van het product.
- Monteer accessoires volgens de bijgeleverde montage-instructies.
- Als de trampoline verplaatst moet worden, wegens onderhoud van de huidige locatie of om andere redenen, verwijder de ankers (indien aanwezig) en verplaats de trampoline naar de nieuwe locatie. Til de trampoline met minimaal 4 volwassenen aan de bovenste rails van het frame.
- Als de trampoline verplaatst moet worden over een grotere afstand, demonteer de trampoline, leg de delen in de originele verpakking en monteer de trampoline op de nieuwe locatie volgens de assemblage en installatie instructies.

5.2 Onderhoudsinstructies

- Inspecteer de BERG trampoline voor elk gebruik aan de hand van de montagehandleiding en vervang defecte, versleten of ontbrekende onderdelen. Het negeren van deze instructies en het nalaten van onderhoud kan leiden tot gevaarlijke situaties en onnodige risico's voor de gebruiker. Voor het bestellen van originele BERG trampoline onderdelen en accessoires verwijzen we u naar uw dealer of kijk op www.bergtoys.com.
- Controleer de conditie van de frame delen (gebroken lassen, gebogen frame of scherpe en uitstekende delen) en vervang deze indien nodig.
- Controleer de conditie van de veren (gebroken of overmatige uitrekking) en de bevestiging van de veren aan het frame en springdoek. De veren en de ophanging van veren zijn onderhevig aan slijtage, vervang tijdig versleten onderdelen.
- Controleer of de boutverbindingen vast zitten en zet deze eventueel opnieuw vast. Controleer de borging van verbindingen (drukpinnen) en controleer of deze niet losraken tijdens het springen.
- Controleer de conditie van het springdoek (beschadigingen, onjuiste spanning, loslatende stiksels of doorzakken van het springdoek). Het springdoek slijt door gebruik en door blootstelling aan zonlicht (UV straling). Vervang het springdoek tijdig wanneer de conditie verslechterd.
- Controleer de conditie van de beschermrand en de bevestiging van de beschermrand op het frame. Vervang een defecte beschermrand.
- Het gebruik van meststoffen (kunstmest, mestkorrels, etc.) is niet toegestaan in een straal van 2 meter rond de BERG trampoline. Het gebruik van dergelijke producten kan schadelijk zijn voor de materialen van de trampoline.
- U kunt het springdoek en de afdekrand van het frame reinigen met een doek en koud of handwarm water. Gebruik in geen geval oplosmiddelen, afwasmiddel, zeepoeder of heet water.
- Reparaties moeten professioneel worden uitgevoerd. Neem hiervoor contact op met uw BERG dealer.

6. Regular Trampoline + Safety Net

6.1 Aanvullende waarschuwingen:

- De BERG trampoline wordt niet aanbevolen voor gebruik door kinderen jonger dan 6 jaar.
- Deze trampoline is niet bedoeld om te worden ingegraven in de grond.
- Plaats de BERG trampoline niet boven beton, asfalt of een andere harde ondergrond of in de buurt van andere installaties (bijv. kinderbaden, schommels, glijbanen, klimrekken).
- Zie hoofdstuk 9 voor aanvullende waarschuwingen van het Safety Net.

6.2 Aanvullende montage- en onderhoudsinstructies:

- Sterke wind en windvlagen kunnen de trampoline verplaatsen. Wij raden u aan de trampoline te verankeren met ankers of zandzakken of het springdoek voorafgaand aan deze omstandigheden te demonteren.
- Tijdens de winter kan in sommige landen het gewicht van de sneeuw en de zeer lage temperatuur de trampoline beschadigen. BERG raadt u aan om het springdoek en het safety net in deze periode binnen op te bergen.
- Stel uw trampoline veilig wanneer deze niet in gebruik is. Bescherm de trampoline tegen onbevoegd gebruik. Bij gebruik van een trampoline-ladder, dient deze door de eigenaar verwijderd te worden wanneer de trampoline verlaten wordt. Hiermee voorkomt u toegang van kinderen zonder toezicht.



- Wanneer de trampoline voor korte periodes niet gebruikt wordt kan deze afgedekt worden met een BERG afdekhoes die de trampoline vrij houdt van bijvoorbeeld bladeren en takjes. Wanneer de trampoline voor een langere periode niet gebruikt wordt (bijvoorbeeld tijdens de winter) raden wij aan de trampoline en zeker de beschermrand op een droge plek op te bergen voor een langere levensduur van het product.

7. InGround Trampoline

7.1 Aanvullende waarschuwingen:

- The BERG trampoline is not recommended for use by children under 6 years of age.
- **Warning.** Installation of the trampoline requires a hole to be dug in the ground. If you are not sure about the ground work, please contact a professional.
- Objecten, dieren en personen zijn verboden onder de BERG trampoline. Mocht u de beschermrand los maken, controleer dan bij het herbevestigen van de beschermrand of er niets onder de trampoline ligt.
- Plaats de BERG trampoline niet boven beton, asfalt of een andere harde ondergrond of in de buurt van andere installaties (bijv. kinderbaden, schommels, glijbanen, klimrekken).
- Zie hoofdstuk 9 voor aanvullende waarschuwingen van het Safety Net, indien de trampoline met een safety net wordt gebruikt.

7.2 Aanvullende montage- en onderhoudsinstructies:

- Locatie: Zoek een geschikte plek voor de montage van de trampoline. Controleer de vrije ruimte, de conditie en eigenschappen van de bodem en bepaal zo de locatie.
- De grond moet stevig zijn om te voorkomen dat het te graven gat zal instorten als gevolg van snel eroderen van de bodem. Indien nodig, versterk de zijkanten van het gat of maak ze glad om dit te voorkomen.
- Als grond te hard is om te graven, dan kan er beter een andere locatie gekozen worden, of neem contact op met een professional op het gebied van grondwerk.
- Verifieer of een hoog grondwaterpeil het gat niet vol laat lopen met water.
- Controleer of er voldoende afwatering of drainage is om regenwater af te voeren. In het gegraven gat mag geen water blijven staan.
- Inspecteer het gat onder de trampoline na een periode van regen. Zorg voor goede drainage voor de afvoer van water.
- Gebruik het meegeleverde meetlint om de afmeting van het te graven gat te bepalen, diameter, diepte en vorm. Raadpleeg hiervoor de gevisualiseerde afbeelding in de montage-instructies. Zorg ervoor dat het gat gegraven wordt volgens de specificaties en dat de wanden niet te steil zijn. Afwijkingen in de vorm van de voorschriften kan leiden tot het ongewild instorten van de wanden en instabiliteit van de trampoline.
- De poten van de trampoline ondersteunen het trampoline frame. Controleer of de poten op gelijke hoogte en stevig op de grond staan. Veranker de poten met de meegeleverde ankers.
- Inspecteer het gat onder de trampoline regelmatig. (minimaal 1x per jaar) en neem corrigerende maatregelen indien nodig. Zoals aangegeven in de montage-instructies, controleer het gat op de juiste diepte, de juiste vorm, de stabiliteit van het frame en of de trampoline nog waterpas staat. Controleer het gat op objecten en verwijder deze indien nodig.
- Tijdens de winter kan in sommige landen het gewicht van de sneeuw en de zeer lage temperatuur de trampoline beschadigen. BERG raadt u aan om uw trampoline regelmatig sneeuwvrij te maken.
- Wanneer de trampoline voor korte periodes niet gebruikt wordt kan deze afgedekt worden met een BERG afdekhoes die de trampoline vrij houdt van bijvoorbeeld bladeren en takjes. Wanneer de trampoline voor een langere periode niet gebruikt wordt (bijvoorbeeld tijdens de winter) raden wij aan de beschermrand op een droge plek op te bergen voor een langere levensduur van het product.

8. FlatGround Trampoline

8.1 Aanvullende waarschuwingen:

- The BERG trampoline is not recommended for use by children under 6 years of age.
- **Warning.** Installation of the trampoline requires a hole to be dug in the ground. If you are not sure about the ground work, please contact a professional.
- Objecten, dieren en personen zijn verboden onder de BERG trampoline. Mocht u de beschermrand los maken, controleer dan bij het herbevestigen van de beschermrand of er niets onder de trampoline ligt.
- Zie hoofdstuk 9 voor aanvullende waarschuwingen van het Safety Net, indien de trampoline met een safety net wordt gebruikt.

8.2 Aanvullende montage- en onderhoudsinstructies:

- Locatie: Zoek een geschikte plek voor de montage van de trampoline. Controleer de vrije ruimte, de conditie en eigenschappen van de bodem en bepaal zo de locatie.
- De grond moet stevig zijn om te voorkomen dat het te graven gat zal instorten als gevolg van snel eroderen van de bodem. Indien nodig, versterk de zijanten van het gat of maak ze glad om dit te voorkomen.
- Als grond te hard is om te graven, dan kan er beter een andere locatie gekozen worden, of neem contact op met een professional op het gebied van grondwerk.
- Verifieer of een hoog grondwaterpeil het gat niet vol laat lopen met water.
- Controleer of er voldoende afwatering of drainage is om regenwater af te voeren. In het gegraven gat mag geen water blijven staan.
- Inspecteer het gat onder de trampoline na een periode van regen. Zorg voor goede drainage voor de afvoer van water.
- Gebruik het meegeleverde meetlint om de afmeting van het te graven gat te bepalen, diameter, diepte en vorm. Raadpleeg hiervoor de gevisualiseerde afbeelding in de montage-instructies.
- Inspecteer het gat onder de trampoline regelmatig. (minimaal 1x per jaar) en neem corrigerende maatregelen indien nodig. Zoals aangegeven in de montage-instructies, controleer het gat op de juiste diepte, de juiste vorm, de stabiliteit van het frame en of de trampoline nog waterpas staat. Controleer het gat op objecten en verwijder deze indien nodig.

9. Safety Net

9.1 Aanvullende waarschuwingen:

- Controleer voor het springen of de ingang volledig gesloten is.
- Spring niet over de bovenste rand van het safety net heen.
- Kruip niet tussen de onderste rand van het safety net en de beschermand door.
- Het safety net is bedoeld om het springen veiliger te maken, spring niet opzettelijk in het net en ga niet in het safety net hangen of erin klimmen.
- Zorg dat de kleding van de gebruiker geen haken, lussen, trekkoorden of iets wat kan blijven haken in het safety net heeft.
- Bevestig niets aan het safety net wat niet een door BERG goedgekeurd accessoire of onderdeel van het safety net is.
- Gebruik de palen van het safety net niet om in te klimmen.
- Gebruik alleen de ingang van het safety net om op de trampoline te komen of er van af te gaan.
- Houdt vuur weg van het safety net.
- Het net moet iedere 5 jaar vervangen worden (of eerder bij verlies van functionaliteit).
- Wij raden u aan om bij sterke wind en windvlagen het safety net voorafgaand aan deze omstandigheden te demonteren.



10. Garantie

10.1 Garantie termijn

BERG Trampolines zijn van uitstekende kwaliteit. Om u jarenlang onbezorgd speelplezier te bieden op onze trampolines biedt BERG functie garantie. Functie garantie is de garantie op het functionele gebruik van de trampoline. Voor de duur van deze garantie zie onderstaande tabel (jaren).

Frame	10
Frame (na product registratie)	13 (10+3)
Beschermand (Champion)	2
Beschermand (Elite)	5
Springdoek	2
Veren	5
Safety Net	2

Op de safety netten en accessoires geldt een garantietermijn van 2 jaar met uitzondering van de afdekhoes basic, daar geldt een garantie termijn van 1 jaar. Slijtagegevoelige onderdelen (bijv. elastieken), weersinvloeden als roest en verkleuring en het schuim op de palen van de safety netten zijn uitgesloten van garantie.

10.2 Garantie regeling

De eigenaar van het product kan slechts aanspraak maken op de garantie door de originele aankoopnota aan te bieden. De garantie geldt alleen voor materiaal- en constructiefouten met betrekking tot dit product en diens onderdelen.

De garantie vervalft wanneer:

Dit product onjuist en/of onzorgvuldig gebruikt is.

- Dit product niet conform de handleiding gemonteerd en onderhouden is.
- Technische reparaties aan dit product niet op vakkundige wijze verricht zijn.
- Naderhand gemonteerde onderdelen gebruikt zijn die niet overeen komen met de technische specificaties van het betreffende product, of onjuist gemonteerd zijn.
- Gebreken ontstaan als gevolg van klimatologische invloeden, zoals roest of normale verwerking door o.a. UV-straling.
- Incorrect ingraven van de BERG Trampoline
- Het product wordt gebruikt voor verhuur of op andere wijze aan meerdere ongespecificeerde personen ter beschikking staat.
- Gedurende de garantieperiode zullen alle door BERG vastgestelde materiaal- of constructiefouten ter keuze van BERG worden gerepareerd, dan wel worden vervangen. Reparatie, op kosten van BERG, is alleen mogelijk wanneer de garantieperiode vermeld in 10.1 nog van toepassing is.
- De eigenaar van dit product kan slechts aanspraak maken op de garantie door het overleggen van de originele aankoopbon. Indien de eigenaar is verhuisd of de dealer niet meer beschikbaar is, zal BERG desgevraagd opgaaf doen van de dichtstbijzijnde BERG dealer.
- Indien de garantieaanvraag afgewezen wordt, zijn alle gemaakte kosten voor rekening van de eigenaar.
- Deze garantie is niet overdraagbaar aan derden.

BERG



PRODUCT REGISTRATION

Wil je extra gratis garantie?*

Vergeet je product dan niet na aankoop direct online te registreren via www.bergtoys.com/nl/registration.

Met deze productregistratie ontvang je 3 jaar extra garantie op het frame van je skelter of trampoline. Deze extra garantie komt bovenop de standaard garantie op het frame die je krijgt.

*Bekijk de voorwaarden op www.bergtoys.com/nl/registration



www.bergtoys.com/registration



Index

1. Einleitung
2. Achtung
3. Informationen
4. Sprung-Anweisungen
 - 4.1 Sprung-Anweisungen
 - 4.2 Basis Sprünge
5. Montage und Wartung
 - 5.1 Montage und Demontage
 - 5.2 Wartungsanleitungen
6. Regular-Trampolin + Sicherheitsnetz
 - 6.1 Zusätzliche Warnhinweise:
 - 6.2 Zusätzliche Montage- und Wartungsanweisungen:
7. InGround-Trampolin
 - 7.1 Zusätzliche Warnhinweise:
 - 7.2 Zusätzliche Montage- und Wartungsanweisungen:
8. FlatGround-Trampolin
 - 8.1 Zusätzliche Warnhinweise:
 - 8.2 Zusätzliche Montage- und Wartungsanweisungen:
9. Safety Net
 - 9.1 Zusätzliche Warnhinweise:
10. Garantie
 - 10.1 Garantiezeit
 - 10.2 Garantiebestimmungen

Dieses Trampolin ist für den Hausgebrauch geeignet. Informationen über Trampoline für die Nutzung in öffentlichen Bereichen (wie etwa Campingplatz, Ferienpark, Restaurant usw.) finden Sie auf der Website www.bergtoys.com.

1. Einleitung

Wir hoffen, dass auch Sie viel Spaß mit Ihrem Trampolin haben und bedanken uns für den Kauf des BERG Trampolins. Trampolinspringen macht Spaß und ist gesund. Es ist nicht nur eine angenehme Beschäftigung sondern verringert auch Stress, verbessert die Kondition und die Blutzirkulation. Trampolinspringen ist geeignet für Jung und Alt. Um Ihr Trampolin jahrelang problemlos benutzen zu können, finden Sie in dieser Gebrauchsanleitung Tipps zur Montage, Sicherheit, Wartung und Sprunginstruktionen. Trampolinspringen ist nicht gefährlich, solange diese Tipps und Anweisungen befolgt werden. BERG wünscht Ihnen viel Spaß beim Springen!

2. Achtung

- Das maximale Benutzergewicht beträgt:

Ø330	Ø380	Ø430
100kg	110kg	120kg

- Nicht für Kinder unter 36 Monaten geeignet. Absturzgefahr.
- Nicht für Kinder unter 36 Monaten geeignet. Erstickungsgefahr. Kleine Teile.
- Das Trampolin muss durch eine erwachsene Person entsprechend den Aufbauanleitungen zusammengesetzt und anschließend vor der ersten Nutzung überprüft werden.
- Das BERG Trampolin ist nur für den Gebrauch im Freien bestimmt.
- Gebrauchsanleitung lesen und für eventuelles Nachschlagen aufbewahren.
- Nur ein Benutzer. Kollisionsgefahr. Verwendung durch mehrere Personen kann schwere Verletzungen verursachen.
- Ohne Schuhe springen.
- Nicht benutzen, wenn die Sprungmatte nass ist.
- Vor dem Springen Taschen und Hände leeren.
- Immer in die Mitte der Sprungmatte springen
- Während des Springens nicht essen.
- Das Trampolin nicht mit einem Sprung verlassen.
- Die Dauer der ununterbrochenen Benutzung begrenzen (regelmäßige Pausen einlegen).
- Bei Starkwindbedingungen das Trampolin sichern und nicht benutzen.
- Keine Saltos schlagen. Bei einer Landung auf dem Kopf oder Genick können, auch wenn die Landung in der Mitte der Sprungmatte erfolgt, Lähmungen oder schwere Verletzungen auftreten.
- Beaufsichtigung durch einen Erwachsenen erforderlich.
- Benutzen Sie das BERG-Trampolin nicht, wenn Sie unter dem Einfluss von Alkohol, Drogen oder Medikamenten stehen.
- Vorsicht, der Schutzrand kann bei Sonneneinstrahlung sehr heiß werden!
- Halten Sie Feuer und andere Hitzequellen vom Trampolin fern.
- Halten Sie Gegenstände und Hindernisse fern, die den Benutzer behindern könnten. Sorgen Sie rund um das Trampolin für einen freien Bereich.
- Es dürfen keine Personen oder Objekte unter dem BERG Trampolin sein.
- Springen Sie immer in der Mitte der Matte. Springen Sie nicht auf den Rand der Matte oder auf den Schutzrand.
- Von Bewegungen mit starker Reibung (beispielsweise „Slidings“) über die Druckmotive auf dem Sprungtuch oder dem Schutzrand wird abgeraten. Bei starker Reibung über die Druckmotive auf dem Sprungtuch oder dem Schutzrand kann die Druckfarbe abfärben. Es kann schwierig sein, die Druckfarbe aus der Kleidung zu entfernen. Die Druckfarbe erfüllt die strengen chemischen Anforderungen, die an Spielgeräte gestellt werden, wodurch sichergestellt ist, dass der Kontakt mit der Haut oder das Verschlucken der Tinte keine gesundheitlichen Schäden hervorrufen.

3. Informationen

- Verwenden Sie Ihr Produkt von BERG ausschließlich gemäß den nachfolgenden Anweisungen. Eine unbefugte Nutzung könnte schwere Verletzungen für den Verwender und/oder Schäden am Produkt hervorrufen. Bitte lesen Sie vor der Nutzung des Trampolins sämtliche Anweisungen. Enthalten sind Warnhinweise, Anweisungen für die Pflege, die Wartung und die Nutzung dieses Trampolins, damit Sie es sicher und mit viel Spielfreude verwenden können.
- Ein Freiraum von mindestens 2 Metern um das Trampolin ist obligatorisch.
- Über dem Trampolin muss ein Freiraum von 7 Metern vorhanden sein; gemessen ab dem Boden, auf dem das Trampolin steht.
- Die Durchführung von Änderungen am Trampolin ist nicht gestattet, da sich daraus ein Sicherheitsrisiko ergeben kann. Es dürfen nur Änderungen vorgenommen werden, die mit BERG abgestimmt oder von BERG empfohlen wurden.

4. Sprung-Anweisungen

4.1 Sprung-Anweisungen

- Bei Benutzung des BERG-Trampolins ist es unbedingt erforderlich, die richtige Haltung einzunehmen. Die richtige Haltung und das Gleichgewicht werden durch Anspannen der richtigen Muskeln erreicht. Dadurch ist sicheres Trampolinspringen möglich.
- Eine gute Körperhaltung ermöglicht eine sichere Nutzung des Trampolins. Beim Springen wird der Körper Stößen ausgesetzt, die richtig abgefedert werden müssen. Durch eine Anspannung Ihrer Muskeln erhalten Sie eine bessere Kontrolle über Ihr Gleichgewicht und die Sprung- und Rückfederstärke des Körpers erhöht sich. Eine entspanntere Körperhaltung führt zu einem Verlust von Energie und die Sprung- und Rückfederstärke verringert sich. Beginnen Sie mit den elementaren Sprüngen und Sprungpositionen und probieren Sie weiter gehende Techniken nicht aus, bevor Sie diese beherrschen. Das Springen beenden Sie, indem Sie die Knie beugen, sobald Ihre Füße die Matte berühren.
- Beenden Sie Sprünge, indem Sie die Knie beugen, wenn die Füße mit der Trampolinmatte in Berührung kommen. Lernen Sie diese Technik, bevor Sie andere ausprobieren.
- Erlernen Sie die grundlegenden Sprünge und Körperpositionen sorgfältig, bevor Sie fortgeschrittenere Techniken ausprobieren. Kreieren Sie eigene Übungsreihen, indem Sie verschiedene einfache Sprünge, mit oder ohne dem einfachen Basissprung dazwischen, kombinieren.
- Springen Sie nicht zu hoch. Bleiben Sie in niedriger Höhe, bis Sie die Sprünge kontrollieren und wiederholtes Landen in der Mitte des Trampolins schaffen. Kontrolle ist wichtiger als Höhe.
- Halten Sie den Kopf aufrecht und die Augen auf die Sprungmatte gerichtet. Das hilft bei der Kontrolle der Sprünge.
- Überprüfen Sie den Zustand der Federn (Bruch oder übermäßige Dehnung) und die Befestigung der Federn am Rahmen und Sprungtuch. Federn und Federaufhängung sind verschleißanfällig. Verschlossene Teile sollten rechtzeitig ersetzt werden.

4.2 Basis Sprünge

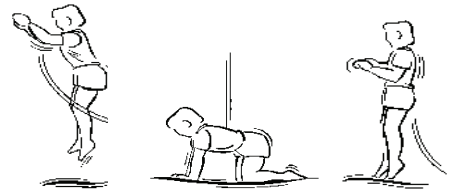
Basissprung

Stehen Sie aufrecht und halten Sie den Kopf gerade. Halten Sie die Augen auf das Sprungtuch gerichtet. Schwingen Sie die Arme in einer Kreisbewegung nach vorne und oben. Halten Sie die Füße beieinander und richten Sie die Zehenspitzen während des Springens nach unten. Halten Sie die Füße bei der Landung ungefähr 40 Zentimeter weit auseinander.



Hand- und Kniesprung

Beginnen Sie mit dem Basissprung. Richten Sie Ihren Blick auf das Sprungtuch. Schwingen Sie die Arme in einer Kreisbewegung nach vorne und oben. Landen Sie auf Händen und Knien. Stoß Sie sich mit den Händen ab und richten Sie sich in aufrechter Haltung wieder auf.



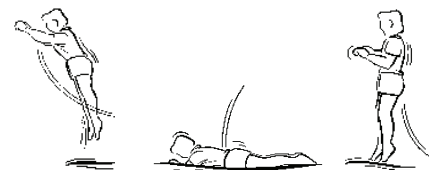
Sitzsprung

Beginnen Sie mit dem Basissprung. Richten Sie Ihren Blick auf das Sprungtuch. Landen Sie sitzend. Setzen Sie die Hände neben Ihre Hüften auf das Sprungtuch. Stoßen Sie sich mit den Händen ab und richten Sie sich in aufrechter Haltung wieder auf.



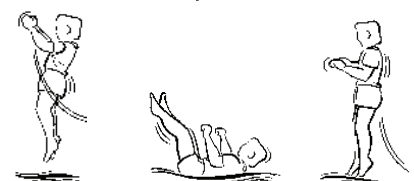
Bauchsprung

Beginnen Sie mit dem Basissprung und landen Sie auf dem Bauch. Halten Sie den Kopf gerade. Halten Sie die Arme vor den Kopf auf dem Sprungtuch. Stoßen Sie sich mit den Händen ab, um sich in aufrechter Haltung wieder aufzurichten.



Rückensprung

Beginnen Sie mit dem Basissprung und landen Sie auf dem Rücken. Drücken Sie während der Landung das Kinn gegen die Brust. Schwingen Sie die Beine vorwärts und hoch, wenn Sie sich in aufrechter Haltung wieder aufrichten.



5. Montage und Wartung

5.1 Montage und Demontage

- Das Trampolin sollte nicht bei starkem Wind aufgebaut werden. Warten Sie bitte, bis sich der Wind gelegt hat.
- Bei der Montage der Produkte ist das Tragen von Arbeitshandschuhen empfehlenswert.
- Sorgen Sie dafür, dass das BERG-Trampolin waagrecht steht. Benutzen Sie dabei eine Wasserwaage.
- Das Trampolin kann Befestigungen mit selbstsichernden Muttern enthalten. Diese Muttern sind ausschließlich für die einmalige Verwendung gedacht. Bei der Demontage und erneuten Montage müssen die selbstsichernden Muttern ersetzt werden.
- Ab Seite 3 sind Anweisungen für die Montage des Produkts zu finden.
- Installieren Sie Zubehör gemäß den mitgelieferten Montageanweisungen.
- Wenn das Trampolin wegen Wartungsbedarf des aktuellen Standorts oder aus anderen Gründen bewegt werden muss, entfernen Sie die Anker (falls vorhanden) und bewegen Sie das Trampolin. Heben Sie das Trampolin mit mindestens 4 Erwachsenen am oberen Rahmen an und gehen Sie zur neuen Position.
- Wird das Trampolin über einen größeren Abstand umgesetzt, demontieren Sie es und legen Sie die Teile in die Original-Verpackung. Montieren Sie das Trampolin am neuen Standort laut den Anweisungen in der Gebrauchsanleitung.

5.2 Wartungsanleitungen

- Das BERG-Trampolin sollte vor jeder Benutzung anhand der Montageanleitung überprüft werden; dabei sind defekte, verschlissene oder fehlende Teile zu ersetzen. Wenn diese Anweisungen nicht befolgt werden und die Wartung vernachlässigt wird, kann dies zu gefährlichen Situationen und unnötigen Risiken für den Benutzer führen. Für die Bestellung von Originalersatzteilen und -zubehör für Trampoline von BERG verweisen wir Sie an Ihren Händler oder auf die Website www.bergtoys.com.
- Überprüfen Sie den Zustand der Rahmenteile (gebrochene Schweißnähte, gebogener Rahmen oder scharfe und hervorstehende Teile) und ersetzen Sie sie, wenn nötig.
- Überprüfen Sie den Zustand der Federn (Bruch oder übermäßige Dehnung) und die Befestigung der Federn am Rahmen und Sprungtuch. Federn und Federaufhängung sind verschleißanfällig. Verschlissene Teile sollten rechtzeitig ersetzt werden.
- Prüfen Sie, ob die Bolzenverbindungen fest sitzen; eventuell müssen sie erneut angezogen werden. Überprüfen Sie die Sicherung von Verbindungen (Druckzapfen) und achten Sie darauf, dass sie sich beim Springen nicht lösen können.
- Überprüfen Sie den Zustand des Sprungtuchs (Beschädigungen, falsche Spannung, sich auflösende Nähte oder Durchhängen). Das Sprungtuch ist durch intensive Nutzung und direktes Sonnenlicht (UV-Strahlung) anfällig für Verschleiß. Ersetzen Sie das Sprungtuch rechtzeitig, wenn sich der Zustand verschlechtert.
- Überprüfen Sie den Zustand des Schutzrands und die Befestigung des Schutzrands am Rahmen. Ein defekter Schutzrand ist zu ersetzen.
- In einem Umkreis von zwei Metern um das BERG-Trampolin ist die Verwendung von Düngemitteln (Kunstdünger, Düngepellets usw.) nicht erlaubt. Die Verwendung derartiger Produkte kann schädlich für die Trampolinmaterialien sein.
- Das Sprungtuch und der Schutzrand des Rahmens können einfach mit einem in kaltes oder lauwarmes Wasser getauchten Tuch abgewischt werden. Lösungsmittel, Spülmittel, Seifenpulver oder heißes Wasser dürfen auf keinen Fall verwendet werden!
- Reparaturen dürfen nur von Fachleuten ausgeführt werden. Wenden Sie sich hierzu bitte an Ihren BERG Händler.

6. Regular-Trampolin + Sicherheitsnetz

6.1 Zusätzliche Warnhinweise:

- Das BERG-Trampolin wird nicht für Kinder unter 6 Jahren empfohlen.
- Dieses Trampolin ist nicht dazu bestimmt, in den Boden eingegraben zu werden.
- Stellen Sie das BERG Trampolin nicht auf Beton, Asphalt, anderen harten Oberflächen oder in der Nähe von anderen Installationen (z.B. Planschbecken, Schaukeln, Rutschen, Klettergerüste usw.) auf.
- Kapitel 9 enthält zusätzliche Warnhinweise für das Sicherheitsnetz.

6.2 Zusätzliche Montage- und Wartungsanweisungen:

- Starker Wind und Windböen können das Trampolin verschieben. Wir empfehlen Ihnen eine Verankerung des Trampolins mit Ankern oder Sandsäcken oder die Demontage des Sprungtuchs vor diesen Wetterbedingungen.
- Im Winter kann in einigen Ländern das Trampolin durch das Gewicht von Schnee und sehr niedrige Temperaturen



beschädigt werden. BERG rät Ihnen, in diesem Zeitraum Sprungtuch und Sicherheitsnetz im Innenbereich aufzubewahren.

- Sichern Sie das Trampolin ordnungsgemäß, wenn es nicht in Gebrauch ist. Schützen Sie das Trampolin vor einer unbefugten Nutzung. Wenn eine Trampolinleiter verwendet wird, hat die Aufsichtsperson die Leiter beim Verlassen des Bereichs zu entfernen, um einen unbeaufsichtigten Zugang von Kindern unter 6 Jahren zu verhindern.
- Wenn das Trampolin kurzzeitig nicht benutzt wird, kann es mit einer BERG-Abdeckhülle vor Blättern, Zweigen u. dgl. geschützt werden. Wird das Trampolin für längere Zeit nicht benutzt (z. B. im Winter), empfehlen wir zur Verlängerung der Lebensdauer des Produkts, das Trampolin und insbesondere den Schutzrand an einem trockenen Ort zu lagern.

7. InGround-Trampolin

7.1 Zusätzliche Warnhinweise:

- Das BERG-Trampolin wird nicht für Kinder unter 6 Jahren empfohlen.
- **Achtung.** Beim Aufbau des Trampolins muss eine Grube aus dem Boden ausgehoben werden. Wenn Sie sich bei Bodenarbeiten nicht sicher sind, wenden Sie sich bitte an einen Fachmann.
- Unter dem BERG-Trampolin dürfen sich keine Objekte, Tiere oder Personen befinden. Wenn Sie den Schutzrand abgenommen haben, sollten Sie bei seiner Wiederbefestigung darauf achten, dass sich nichts unter dem Trampolin befindet.
- Stellen Sie das BERG Trampolin nicht auf Beton, Asphalt, anderen harten Oberflächen oder in der Nähe von anderen Installationen (z.B. Planschbecken, Schaukeln, Rutschen, Klettergerüste usw.) auf.
- Kapitel 9 enthält zusätzliche Warnhinweise für das Sicherheitsnetz, wenn das Trampolin mit einem Sicherheitsnetz verwendet wird.

7.2 Zusätzliche Montage- und Wartungsanweisungen:

- Das BERG-Trampolin wird nicht für Kinder unter 6 Jahren empfohlen.
- **Achtung.** Beim Aufbau des Trampolins muss eine Grube aus dem Boden ausgehoben werden. Wenn Sie sich bei Bodenarbeiten nicht sicher sind, wenden Sie sich bitte an einen Fachmann.
- Überprüfen Sie, ob sich durch einen hohen Grundwasserspiegel die Grube mit Wasser füllen könnte.
- Kontrollieren Sie auch, ob es genügend Abfluss- oder Drainagemöglichkeiten gibt, um Regenwasser abzuleiten. In der ausgehobenen Grube darf kein Wasser stehen bleiben.
- Nach einer längeren Regenperiode sollte die Grube ebenfalls kontrolliert werden. Stellen Sie eine gute Drainage für den Regenwasserabfluss sicher.
- Verwenden Sie das (im Paket) mitgelieferte Maßband, um die Größe der auszuhebenden Grube, also Durchmesser, Tiefe und Form, zu bestimmen. Ziehen Sie hierzu auch die Abbildung in der Aufbauanleitung zu Rate. Machen Sie die Grube nicht zu tief, den Durchmesser zu groß oder die Seitenwände zu steil. Dies kann zum Einstürzen der Grube führen oder die Stabilität des Trampolins beeinflussen.
- Die Fuß-Sockel des Trampolins unterstützen den Trampolin-Rahmen. Sorgen Sie dafür, dass alle Trampolin-Füße auf gleicher Höhe platziert werden und fest auf dem Boden stehen. Verankern sie die Trampolin-Füße mit den mitgelieferten Metall-Heringen.
- Überprüfen Sie regelmäßig (mindestens einmal jährlich) das Loch unter dem Trampolin und ergreifen Sie gegebenenfalls korrigierende Maßnahmen. Wie in den Montageanweisungen beschrieben, sollte geprüft werden, ob das Loch die richtige Tiefe und Form hat, ob die Rahmenstabilität in Ordnung ist und ob das Trampolin noch waagrecht steht. Überprüfen Sie das Loch auf Objekte und entfernen Sie sie gegebenenfalls.
- Im Winter kann in einigen Ländern das Trampolin durch das Gewicht von Schnee und sehr niedrige Temperaturen beschädigt werden. BERG rät Ihnen, das Trampolin regelmäßig schneefrei zu machen.
- Wenn das Trampolin eine kurze Zeit nicht benutzt wird, kann es mit einem BERG-Schutzbezug abgedeckt werden, der das Trampolin beispielsweise von Blättern und Zweigen frei hält. Wenn das Trampolin eine längere Zeit nicht benutzt wird (beispielsweise im Winter), sollte der Schutzrand an einem trockenen Ort aufbewahrt werden, damit die Lebensdauer des Produkts verlängert wird.

8. FlatGround-Trampolin

8.1 Zusätzliche Warnhinweise:

- Ein BERG-Trampolin, das mit einem Sicherheitsnetz ausgestattet ist, sollte nicht von Kindern unter 6 Jahren benutzt werden.
- Ein BERG-Trampolin, das nicht mit einem Sicherheitsnetz ausgestattet ist, sollte nicht von Kindern unter 14 Jahren benutzt werden.
- Für die Montage des Trampolins muss ein Loch gegraben werden. Wenn Sie sich hinsichtlich der Erdarbeiten nicht sicher sind, wenden Sie sich bitte an einen Fachmann.
- Unter dem BERG-Trampolin dürfen sich keine Objekte, Tiere oder Personen befinden. Wenn Sie den Schutzrand abgenommen haben, sollten Sie bei seiner Wiederbefestigung darauf achten, dass sich nichts unter dem Trampolin befindet.
- Kapitel 9 enthält zusätzliche Warnhinweise für das Sicherheitsnetz, wenn das Trampolin mit einem Sicherheitsnetz verwendet wird.

8.2 Zusätzliche Montage- und Wartungsanweisungen:

- Standort: Finden Sie einen geeigneten Standort für das Trampolin. Kontrollieren Sie, ob der Bereich um das Trampolin frei von störenden Gegenständen ist und prüfen Sie die Bodenbeschaffenheit. Bestimmen Sie nach diesen Vorgaben den Standort.
- Der Boden muss fest sein, um zu verhindern, dass die ausgehobene Kuhle durch schnelles Erodieren des Bodens an den Seiten einsinkt. Wenn nötig, verstärken Sie die Seiten der Kuhle, um das Einsinken zu verhindern.
- Wenn der Boden zum Graben zu hart ist, kann besser ein anderer Standort gewählt werden, oder Sie wenden sich an einen Fachmann für Erdarbeiten.
- Überprüfen Sie, ob sich durch einen hohen Grundwasserspiegel die Grube mit Wasser füllen könnte.
- Kontrollieren Sie auch, ob es genügend Abfluss- oder Drainagemöglichkeiten gibt, um Regenwasser abzuleiten. In der ausgehobenen Grube darf kein Wasser stehen bleiben.
- Nach einer längeren Regenperiode sollte die Grube ebenfalls kontrolliert werden. Stellen Sie eine gute Drainage für den Regenwasserabfluss sicher.
- Verwenden Sie das (im Paket) mitgelieferte Maßband, um die Größe der auszuhebenden Grube, also Durchmesser, Tiefe und Form, zu bestimmen. Ziehen Sie hierzu auch die Abbildung in der Aufbauanleitung zu Rate.
- Überprüfen Sie regelmäßig (mindestens einmal jährlich) das Loch unter dem Trampolin und ergreifen Sie gegebenenfalls korrigierende Maßnahmen. Wie in den Montageanweisungen beschrieben, sollte geprüft werden, ob das Loch die richtige Tiefe und Form hat, ob die Rahmenstabilität in Ordnung ist und ob das Trampolin noch waagrecht steht. Überprüfen Sie das Loch auf Objekte und entfernen Sie sie gegebenenfalls.

9. Safety Net

9.1 Zusätzliche Warnhinweise:

- Vor dem Springen immer die Netzöffnung schließen.
- Nicht über den oberen Rand des Sicherheitsnetzes springen.
- Nicht unter dem unteren Rand des Sicherheitsnetzes hindurchkriechen.
- Das Sicherheitsnetz soll das Springen sicherer machen. Nicht absichtlich in das Netz springen und sich weder in das Sicherheitsnetz hängen noch darin klettern.
- Stellen Sie sicher, dass sich an der Kleidung des Benutzers keine Haken, Schleifen, Kordeln oder andere Gegenstände befinden, die am Sicherheitsnetz hängenbleiben können.
- Befestigen Sie keine anderen Gegenstände am Sicherheitsnetz als die von BERG hierfür vorgesehenen Zubehörteile oder Komponenten.
- Klettern Sie nicht an den Rohren des Sicherheitsnetzes hoch.
- Betreten und verlassen Sie das Trampolin ausschließlich durch die Zugangsöffnung des Sicherheitsnetzes.
- Sicherheitsnetzes von Feuer fernhalten.
- Das Netz sollte alle 5 Jahre ersetzt werden. (oder früher, wenn es nicht mehr funktioniert).
- Wir empfehlen Ihnen, das Sicherheitsnetz bei vorausgesagtem starkem Wind und Windböen vorher zu demontieren.



10. Garantie

10.1 Garantiezeit

BERG Trampoline sind hochwertige Geräte. BERG bietet Ihnen eine Funktionsgarantie für jahrelangen, sorglosen Spielspaß. Eine Funktionsgarantie ist eine Garantie auf die Funktionale Nutzung des Trampolins. Bitte entnehmen Sie der nachfolgenden Tabelle die Laufzeit dieser Garantie (Jahren).

Rahmen	10
Rahmen (nach Produktregistrierung)	13 (10+3)
Schutzrand (Champion)	2
Schutzrand (Elite)	5
Sprungtuch	2
Federn	5
Safety Net	2

Auf Sicherheitsnetze und Zubehör wird eine Garantie von 2 Jahren gewährt, mit Ausnahme der Abdeckhülle Basic, für die eine Garantie von 1 Jahr gilt. Verschleißteile (z.B. Gummizüge), die Folgen von Witterungseinflüssen (z.B. Rost und Verfärbung) und der Schaumstoff um die Rohre der Sicherheitsnetze sind von der Garantie ausgeschlossen.

10.2 Garantiebestimmungen

Der Eigentümer des Produkts kann eine Garantie nur durch Vorlage der Originalrechnung über den Kauf bei BERG oder dem Händler, bei dem das Produkt gekauft wurde, geltend machen. Die Garantie gilt ausschließlich für Material- und Konstruktionsfehler bei diesem Produkt oder Teilen hiervon.

Die Garantie erlischt, wenn:

- das Produkt falsch, nachlässig oder unsachgemäß verwendet wurde.
- das Produkt nicht in Übereinstimmung mit der Anleitung montiert und gewartet wird.
- technische Reparaturen an dem Produkt nicht fachgerecht ausgeführt werden.
- nachträglich montierte Teile nicht den technischen Spezifikationen des betreffenden Produkts entsprechen oder deren Montage nicht ordnungsgemäß erfolgte.
- wenn Schäden durch Witterungseinflüsse wie Rost, UV-Strahlen oder normaler Verschleiß auftreten.
- Trampoline von BERG unsachgemäß abgesehen werden.
- das Produkt zu Vermietungszwecken verwendet oder auf irgendeine andere Weise mehreren nicht näher bezeichneten Personen zur Verfügung gestellt wird.
- Während der Garantiezeit werden sämtliche von BERG anerkannten Material- und Konstruktionsfehler nach dem Ermessen von BERG im Anschluss an eine Prüfung der Sachverhalte durch BERG repariert oder ersetzt. Eine kostenfreie Reparatur erfolgt unter der Voraussetzung, dass die in Ziffer 10.1 genannte Garantiezeit noch läuft.
- Der Eigentümer dieses Produkts kann Ansprüche im Rahmen dieser Garantie nur dann geltend machen, wenn er das Produkt einem BERG-Händler zur Prüfung zur Verfügung stellt. Gleichzeitig muss dem Händler die Originalkaufrechnung ausgehändigt werden. Wenn der Eigentümer umgezogen oder der Händler nicht mehr verfügbar ist, teilt BERG dem Eigentümer auf Anfrage den nächst gelegenen BERG-Händler mit.
- Wenn ein Garantieanspruch abgelehnt wird, müssen alle angefallenen Kosten vom Eigentümer bezahlt werden.
- Diese Garantie ist nicht übertragbar an Dritte.

BERG



PRODUCT REGISTRATION

Möchtest du eine kostenlose Zusatzgarantie?*

Vergiss dann nicht, dein Produkt gleich nach dem Kauf unter **www.bergtoys.com/de/registration** online zu registrieren!

Mit dieser Produktregistrierung erhältst du 3 zusätzliche Jahre Garantie auf den Rahmen deines Pedal-Gokarts oder Trampolins. Diese Garantie wird zusätzlich zu der Standardgarantie auf den Rahmen gewährt, die du erhältst.

*Die Bedingungen findest du auf www.bergtoys.com/de/registration



www.bergtoys.com/registration



Index

1. Introduction
2. Attention
3. Information
4. Instructions de saut
 - 4.1 Instructions de saut
 - 4.2 Sauts de base
5. Instructions de montage et d'entretien
 - 5.1 Montage et démontage
 - 5.2 Instructions d'entretien
6. Trampoline Regular + filet de protection
 - 6.1 Avertissements supplémentaires
 - 6.2 Instructions complémentaires de montage et d'entretien
7. Trampoline InGround
 - 7.1 Avertissements supplémentaires
 - 7.2 Instructions complémentaires de montage et d'entretien
8. Trampoline FlatGround
 - 8.1 Avertissements supplémentaires
 - 8.2 Instructions complémentaires de montage et d'entretien
9. Filet de protection
 - 9.1 Avertissements supplémentaires
10. Garantie
 - 10.1 Période de garantie
 - 10.2 Conditions de garantie

Ce trampoline convient pour un usage familial. Vous pouvez trouver les informations décrivant les trampolines appropriés à un usage public (comme par exemple un camping, un parc de vacances, un restaurant, etc) sur le site Web www.bergtoys.com.

1. Introduction

Nous espérons que vous tirerez beaucoup de plaisir de votre trampoline et vous remercions chaleureusement pour l'achat de trampoline BERG. La pratique du trampoline est une source de plaisir et une activité saine. En plus d'être une occupation agréable, le trampoline contribue également à réduire le stress, à améliorer la condition physique et la circulation sanguine. Le trampoline est pour tous les âges. Ce manuel vous donne des indications sur l'assemblage, des instructions sur la sécurité et le saut afin de vous garantir une sécurité totale. Sauter sur un trampoline est non dangereux si vous suivez scrupuleusement nos instructions. BERG vous souhaite beaucoup de plaisir lorsque vous sautez!

2. Attention

- Le poids maximal de l'utilisateur est de :

Ø330	Ø380	Ø430
100kg	110kg	120kg

- Ne convient pas aux enfants de moins de 36 mois. Risque de chute.
- Ne convient pas aux enfants de moins de 36 mois. Danger d'étouffement, petits éléments.
- Le trampoline doit être monté par un adulte conformément à la notice de montage, et vérifié avant la première utilisation.
- Le Trampoline BERG est destiné à une utilisation extérieure.
- Lire les instructions. Gardez-les pour référence ultérieure.
- Un seul utilisateur à la fois. Risque de collision. Utilisation par plusieurs personnes peut causer des blessures graves.
- Sauter sans chaussures.
- Ne pas utiliser le tapis lorsqu'il est mouillé.
- Vider les poches et les mains avant de sauter.
- Toujours sauter au milieu du tapis.
- Ne pas manger en sautant.
- Ne pas sortir en sautant
- Limiter la durée d'utilisation continue (faire des pauses régulières).
- Ne pas utiliser en condition de vent fort et arrimer le trampoline.
- Pas de sauts périlleux. Si vous retombez sur la tête ou la nuque, il y a risque de graves blessures, même si vous atterrissez au centre de la toile.
- La surveillance d'un adulte est nécessaire.
- N'utilisez pas le trampoline BERG si vous avez consommé de l'alcool ou des drogues.
- Le coussin peut devenir très chaud quand il est exposé au soleil, faites-y attention.
- N'exposez pas le trampoline au feu ou à toutes autres sources de chaleur.
- Maintenez éloignés les objets et obstacles qui pourraient gêner l'utilisateur. Faites en sorte que l'espace situé autour du trampoline soit vide.
- Aucune personne ou aucun objet ne doit être présent sous le trampoline quand quelqu'un l'utilise.
- Sautez toujours au centre de la toile de saut. Évitez de sauter sur le bord de la toile et la bordure de protection.
- Les mouvements de glissades brusques (comme des « slidings ») frottant sur les impressions du tapis de saut ou du capitonnage sont déconseillés. Il est possible que l'encre déteigne en cas de frottement appuyé sur les impressions du tapis de saut ou du capitonnage. Il peut s'avérer difficile de nettoyer l'encre des vêtements, L'encre répond aux exigences chimiques strictes imposées aux jouets, donc le contact avec la peau ou l'ingestion de cette encre n'ont aucun effet nocif sur la santé.

3. Information

- Utilisez uniquement votre produit BERG comme indiqué ci-dessous. Les utilisations non autorisées peuvent provoquer de graves blessures de l'utilisateur et/ou endommager le produit. Lisez toutes les instructions avant d'utiliser le trampoline. Les mises en garde et les instructions relatives à l'entretien, à la maintenance et à l'utilisation du trampoline visent une utilisation en toute sécurité et agréable de cet équipement.
- Tout autour du trampoline, prévoyez un espace libre de 2 mètres minimum, sans arbres, clôtures ni autres obstacles.
- Au-dessus du trampoline, l'espace libre doit être de 7 mètres minimum, comptés à partir du sol.
- Il n'est pas autorisé d'apporter des modifications ou des changements au trampoline. Cela peut vous mettre en danger. Seules les modifications qui sont approuvées par, ou conformes aux indications de BERG, sont autorisées.

4. Instructions de saut

4.1 Instructions de saut

- Lors de l'utilisation du trampoline BERG, il est impératif d'adopter une posture adéquate. La posture correcte et l'équilibre sont obtenus en contractant les muscles appropriés, ce qui permet de sauter en toute sécurité sur le trampoline.
- Une bonne position permet une utilisation sûre du trampoline. Pendant les sauts, le corps est exposé à des chocs qui doivent être amortis correctement. En tendant vos muscles, vous parvenez à un meilleur équilibre et vous augmentez la force de saut et de rebond de votre corps. Si la position est plus relâchée, il y aura une perte d'énergie et la force de saut et de rebond diminuera. Commencez par des sauts et des positions de base et ne faites pas de mouvements plus difficiles avant de bien maîtriser les fondements. Interrompez le saut en pliant les genoux dès que vos pieds touchent la toile de saut.
- Interrompez le saut en pliant les genoux dès que vos pieds touchent la toile de saut. Apprenez cette technique de base avant de vous perfectionner.
- Apprenez bien les sauts et positions de base avant d'essayer des mouvements plus difficiles. Pour s'exercer, il est possible de réaliser différentes séries et combinaisons de mouvements de base, avec ou sans sauts.
- Évitez de sauter trop haut. Faites de petits sauts jusqu'à ce que vous ayez une bonne maîtrise et que vous atterrissez au centre du trampoline. La maîtrise est plus importante que la hauteur.
- Tenez la tête bien droite et dirigez les yeux vers le périmètre du trampoline. Vous apprendrez ainsi à maîtriser les sauts.
- Vérifiez l'état des ressorts (ressorts cassés ou excessivement détendus) ainsi que leur fixation au cadre et au tapis de saut. Les ressorts et leur suspension sont sujets à l'usure, remplacez les pièces usées en temps voulu.

4.2 Sauts de base

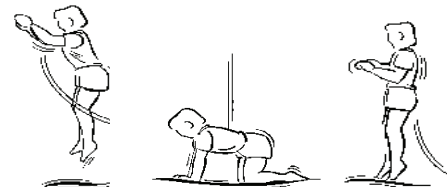
Saut de base

Tenez-vous debout et gardez la tête droite. Gardez les yeux orientés sur le tapis de saut. Balancez les bras en avant et en haut dans un mouvement circulaire. Gardez les pieds côte à côte et orientez les orteils vers le bas au cours du saut. Gardez les pieds lors de l'atterrissage à environ 40 centimètres l'un de l'autre.



Saut sur mains et genoux

Démarrez par le saut de base. Gardez les yeux orientés sur le tapis de saut. Balancez les bras en avant et en haut dans un mouvement circulaire. Retombez sur les mains et les genoux. Repoussez avec les mains et retombez debout en posture droite.



Saut sur siege

Démarrez par le saut de base. Gardez les yeux orientés sur le tapis de saut. Retombez en position assise. Placez les mains à côté des hanches sur le tapis de saut. Repoussez avec les mains et retombez debout en posture droite.



Saut ventral

Démarrez par le saut de base et retombez sur le ventre. Gardez la tête droite. Gardez les bras devant la tête sur le tapis de saut. Repoussez avec les bras pour revenir droit.



Saut dorsal

Démarrez par le saut de base et retombez sur le dos. Gardez le menton serré contre la poitrine lors de votre descente. Lancez les jambes en avant et en haut lorsque vous revenez debout.



5. Instructions de montage et d'entretien

5.1 Montage et démontage

- Ne montez pas le trampoline par vent fort, attendez que le vent soit retombé.
- Nous conseillons de porter des gants de travail lors du montage des produits.
- Veillez à ce que le trampoline BERG soit de niveau. Utilisez pour ce faire un niveau à bulle.
- Le trampoline peut comporter des fixations avec écrous autobloquants. Ces écrous autobloquants sont exclusivement à usage unique. En cas de démontage et de remontage, ils doivent être remplacés.
- Voir les pages 3 et suivantes pour les instructions de montage du produit.
- Installez les accessoires selon les instructions d'installation ci-jointes.
- Si le trampoline doit être déplacé, en raison de l'entretien de l'emplacement actuel ou d'autres raisons, démonter les ancrs (le cas échéant) et déplacer le trampoline. Soulevez le trampoline avec d'au moins 4 adultes, en soulevant le trampoline dans les rails haut et déplacer vers le nouvel emplacement.
- Le trampoline doit être enlevé et placé dans un endroit alternatif, pas à proximité de l'emplacement. Il doit être démonté et placé dans l'emballage d'origine. Ré-assembler conformément aux instructions d'assemblage et d'installation.

5.2 Instructions d'entretien

- Avant chaque utilisation, inspectez le trampoline BERG en vous référant à la notice de montage et remplacez les pièces défectueuses, usées ou manquantes. Le non-respect de ces instructions et l'absence de maintenance peuvent entraîner des situations dangereuses et des risques inutiles pour l'utilisateur. Pour commander des pièces et des accessoires d'origine pour le trampoline BERG, consultez votre revendeur ou rendez-vous sur www.bergtoys.com.
- Vérifiez l'état des pièces du cadre (soudures cassées, cadre plié ou pièces tranchantes et en saillie) et remplacez-les au besoin.
- Vérifiez l'état des ressorts (ressorts cassés ou excessivement détendus) ainsi que leur fixation au cadre et au tapis de saut. Les ressorts et leur suspension sont sujets à l'usure, remplacez les pièces usées en temps voulu.
- Vérifiez que les assemblages boulonnés sont serrés et resserrez-les éventuellement. Vérifiez le serrage des assemblages (poussoirs à ressort) et assurez-vous qu'ils ne se détachent pas pendant les sauts.
- Vérifiez l'état du tapis de saut (détérioration, tension inappropriée, coutures décousues ou affaissement du tapis de saut). Le tapis de saut s'use du fait de son utilisation et de l'exposition aux rayons du soleil (rayonnement UV). Remplacez le tapis de saut à temps, lorsque son état se détériore.
- Contrôlez l'état du coussin de protection et la fixation du coussin au cadre. Remplacez un coussin de protection défectueux.
- L'utilisation d'engrais (engrais artificiel, engrais en granulés, etc.) n'est pas autorisée dans un rayon de 2 mètres autour du trampoline BERG. L'utilisation de produits de ce genre peut nuire aux matériaux du trampoline.
- Pour nettoyer le tapis de saut et le coussin de protection du cadre, utilisez un chiffon et de l'eau froide ou tiède. N'utilisez en aucun cas des solvants, des détergents, de la poudre de savon ou de l'eau très chaude.
- Toutes les réparations doivent être effectuées professionnellement. Adressez-vous à votre revendeur BERG.

6. Trampoline Regular + filet de protection

6.1 Avertissements supplémentaires :

- Le trampoline BERG ne devrait pas être utilisé par les enfants âgés de moins de 6 ans.
- Ce trampoline n'est pas destinée à être enfouie/enterré dans le sol.
- Les BERG trampoline ne doivent pas être installés sur du béton, ni de l'asphalte ou toute autre surface dure. Ni à proximité d'autres installations conflictuelles (par exemple, piscine, balançoires, toboggans, murs d'escalade...).
- Voir le chapitre 9 pour les avertissements supplémentaires concernant le filet de protection.

6.2 Instructions complémentaires de montage et d'entretien :

- Un vent fort et des rafales de vent peuvent déplacer le trampoline. Nous vous conseillons de fixer le trampoline au moyen d'un kit d'ancrage au sol ou de le lester avec des sacs de sable ou encore de démonter le tapis de saut avant de telles conditions météorologiques.
- Dans certains pays, le poids de la neige et les très basses températures en hiver peuvent endommager le trampoline. BERG vous conseille de ranger le tapis de saut et le filet de protection à l'intérieur pendant la saison hivernale.
- Rangez bien le trampoline quand vous ne l'utilisez pas. Protégez-le contre toute utilisation non autorisée. Si présente, enlevez l'échelle quand le trampoline n'est pas utilisé afin d'éviter que des enfants ne montent dessus.



- Quand le trampoline n'est pas utilisé pendant une courte période, on peut le recouvrir si nécessaire avec une housse de protection BERG, le protégeant par exemple des feuilles et des brindilles. Quand le trampoline n'est pas utilisé pendant une longue période (par exemple pendant l'hiver), nous vous recommandons de ranger le trampoline et en tout cas la bordure de protection dans un endroit sec pour prolonger la durée de vie du produit.

7. Trampoline InGround

7.1 Avertissements supplémentaires :

- Le trampoline BERG ne devrait pas être utilisé par les enfants âgés de moins de 6 ans.
- **Attention.** Un trou doit être creusé avant le montage du trampoline. Si vous n'êtes pas sûr de pouvoir effectuer le terrassement, veuillez contacter un professionnel. Aucun objet, animal ou personne ne doit se trouver sous le trampoline BERG. Si vous détachez le coussin de protection, assurez-vous avant de le remettre en place qu'il n'y a rien sous le trampoline.
- Les BERG trampoline ne doivent pas être installés sur du béton, ni de l'asphalte ou toute autre surface dure. Ni à proximité d'autres installations conflictuelles (par exemple, piscine, balançoires, toboggans, murs d'escalade...).
- Voir le chapitre 9 pour les avertissements supplémentaires concernant le filet de protection, si le trampoline est utilisé avec un filet de protection.

7.2 Instructions complémentaires de montage et d'entretien :

- Zone géographique : Trouver un endroit approprié pour l'installation du trampoline en s'assurant qu'il n'y a pas d'obstacles environnants. Vérifier l'état du sol et les caractéristiques du lieu désigné pour déterminer la pertinence de l'installation.
- Le sol doit être ferme pour que le trou ne s'effondre pas à cause de l'érosion rapide du sol. Renforcez si nécessaire les parois du trou ou lissez-les pour éviter son effondrement.
- Si le sol est trop dur pour creuser, il peut être préférable de choisir un autre emplacement ou de contacter un professionnel du terrassement.
- Le trou creusé ne doit pas contenir l'eau. Vérifier si un niveau de nappe haute ne contribue pas à une collection d'eau dans le trou.
- Vérifiez en outre, il y a un drainage adéquat pour éliminer l'eau de pluie.
- Inspecter le trou sous le trampoline après une période de pluie. Prendre soin de bon drainage évacuer l'eau.
- Selon le schéma de la notice d'installation, utilisez le ruban à mesurer inclus (situé dans l'emballage) pour mesurer et déterminer le correcte diamètre, la profondeur et la forme du trou creusé. Assurez-vous que le trou sera creusé selon les spécifications et que les murs sont en forme et pas trop raide. Déviation des particularités de l'orifice peut entraîner l'instabilité effondrement et de trampoline non désirés.
- Les pieds du trampoline supportent l'armature du trampoline. Assurez-vous que les pieds sont au même niveau, et fermement sur le sol. Ancrer les pieds avec les ancrés inclus.
- Inspectez régulièrement le trou sous le trampoline (au moins 1 x par an) et prenez des mesures correctrices si nécessaire. Comme indiqué dans les instructions de montage, vérifiez la profondeur et la forme appropriées du trou, la stabilité du cadre et assurez-vous que le trampoline est encore de niveau. Vérifiez qu'il n'y a pas d'objets dans le trou, ôtez-les au besoin.
- Dans certains pays, le poids de la neige et les très basses températures en hiver peuvent endommager le trampoline. BERG vous conseille d'enlever régulièrement la neige de votre trampoline.
- Lorsque le trampoline n'est pas utilisé sur de courtes périodes, il peut être recouvert d'une housse de protection BERG qui le protégera, par exemple, des feuilles et des branches. Lorsque le trampoline n'est pas utilisé sur une période prolongée (par exemple en hiver), nous conseillons de ranger le coussin de protection dans un endroit sec, afin de prolonger la durée de vie du produit.

8. Trampoline FlatGround

8.1 Avertissements supplémentaires :

- Le trampoline BERG ne devrait pas être utilisé par les enfants âgés de moins de 6 ans.
- **Attention.** Un trou doit être creusé avant le montage du trampoline. Si vous n'êtes pas sûr de pouvoir effectuer le terrassement, veuillez contacter un professionnel.
- Aucun objet, animal ou personne ne doit se trouver sous le trampoline BERG. Si vous détachez le coussin de protection, assurez-vous avant de le remettre en place qu'il n'y a rien sous le trampoline.
- Voir le chapitre 9 pour les avertissements supplémentaires concernant le filet de protection, si le trampoline est utilisé avec un filet de protection.

8.2 Instructions complémentaires de montage et d'entretien :

- Zone géographique : Trouver un endroit approprié pour l'installation du trampoline en s'assurant qu'il n'y a pas d'obstacles environnants. Vérifier l'état du sol et les caractéristiques du lieu désigné pour déterminer la pertinence de l'installation.
- Le sol doit être ferme pour que le trou ne s'effondre pas à cause de l'érosion rapide du sol. Renforcez si nécessaire les parois du trou ou lissez-les pour éviter son effondrement.
- Si le sol est trop dur pour creuser, il peut être préférable de choisir un autre emplacement ou de contacter un professionnel du terrassement.
- Le trou creusé ne doit pas contenir l'eau. Vérifier si un niveau de nappe haute ne contribue pas à une collection d'eau dans le trou.
- Vérifiez en outre, il y a un drainage adéquat pour éliminer l'eau de pluie.
- Inspecter le trou sous le trampoline après une période de pluie. Prendre soin de bon drainage évacuer l'eau.
- Selon le schéma de la notice d'installation, utilisez le ruban à mesurer inclus (situé dans l'emballage) pour mesurer et déterminer le correcte diamètre, la profondeur et la forme du trou creusé.
- Inspectez régulièrement le trou sous le trampoline (au moins 1 x par an) et prenez des mesures correctrices si nécessaire. Comme indiqué dans les instructions de montage, vérifiez la profondeur et la forme appropriées du trou, la stabilité du cadre et assurez-vous que le trampoline est encore de niveau. Vérifiez qu'il n'y a pas d'objets dans le trou, ôtez-les au besoin.

9. Filet de protection

9.1 Avertissements supplémentaires :

- Toujours fermer l'ouverture du filet avant de sauter.
- Ne pas sauter au-dessus du bord supérieur du filet de sécurité
- Ne passe pas sous la partie inférieure du filet de sécurité.
- Le filet de protection sert à augmenter la sécurité pendant les sauts, évitez de sauter intentionnellement dans le filet, de vous suspendre au filet de protection ou de grimper à l'intérieur.
- Assurez-vous que les vêtements de l'utilisateur n'aient aucuns crochets, boucles, cordons ou qu'ils ne puissent pas s'accrocher au filet de sécurité.
- N'attachez au filet de sécurité que les accessoires qui sont approuvés par BERG ou qui font partie du filet de sécurité.
- N'utilisez pas les poteaux du filet pour faire de l'escalade.
- Utilisez seulement l'ouverture d'entrée du filet de sécurité pour monter sur ou pour descendre du trampoline.
- Tenir le filet de sécurité loin du feu.
- Il est recommandé de remplacer le filet tous les 5 ans. (ou plus tôt si perte de fonctionnalités).
- Nous vous conseillons en cas de vent fort et de rafales de vent de démonter le filet de protection avant de telles conditions météorologiques.



10. Garantie

10.1 Période de garantie

Les trampolines BERG sont de équipements de qualité supérieure. BERG vous offre Garantie fonctionnelle pour vous assurer une utilisation agréable et sans problèmes pendant de longues années. Une garantie fonctionnelle est une garantie portant sur l'utilisation fonctionnelle du trampoline. Veuillez consulter le tableau ci-dessous pour prendre connaissances des conditions (ans).

Cadre	10
Cadre (après enregistrement du produit)	13 (10+3)
Coussin de protection (Champion)	2
Coussin de protection (Elite)	5
Toile de saut	2
Ressorts	5
Filet de protection	2

La filet de sécurité et les accessoires présentent une garantie de 2 ans sauf la housse de protection Basic qui a une période de garantie de 1 an. Les pièces d'usure et les composants pouvant se déchirer (tels que le élastiques) ainsi que les effets climatologiques (rouille et décoloration par exemple) et la mousse sur le poteaux des filets de sécurité sont exclus de la garantie.

10.2 Conditions de garantie

Le propriétaire du produit ne peut faire valoir son droit à la garantie que sur présentation du ticket de caisse original de BERG ou du revendeur chez lequel il a acheté le produit. La garantie s'applique exclusivement aux défauts de matériel et de construction, pour le produit ou ses composants.

La garantie ne marche pas dans les cas suivants:

- le produit est utilisé de manière erronée, négligente ou inappropriée.
- Le produit n'a pas été assemblé et n'est pas entretenu conformément aux instructions.
- Les réparations techniques n'ont pas été réalisées de manière professionnelle.
- Les composants mis en place ne correspondent pas aux spécifications techniques du produit ou l'installation n'a pas été réalisée correctement.
- Les endommagements provoqués par les effets climatologiques (rouille, rayons ultraviolets) ou une usure ou détérioration normale.
- Abaissement incorrect des trampolines BERG.
- Le produit est loué ou mis à disposition, d'une autre manière, de personnes non spécifiées.
- Pendant la période de garantie, tous les défauts de matériaux et de construction établis par BERG seront réparés ou remplacés, au choix de BERG. Les réparations seront effectuées gratuitement si la période de garantie mentionnée au point 10.1 est encore valable.
- Le propriétaire du produit ne peut faire de revendications liées à la garantie que s'il fournit le produit au revendeur BERG pour inspection. La facture d'achat originale doit également être remise au revendeur. Si le propriétaire a déménagé ou que le revendeur a cessé ses activités, BERG communiquera au propriétaire, à sa demande, l'emplacement du revendeur BERG le plus proche.
- Si la revendication liée à la garantie est refusée, tous les frais engagés seront à la charge du propriétaire.
- La présente garantie ne peut pas être transférée à des tiers.

BERG



PRODUCT REGISTRATION

Veux-tu une garantie supplémentaire gratuite?*

N'oublie pas d'enregistrer ton produit en ligne directement après l'achat via **www.bergtoys.com/fr/registration**.

L'enregistrement de ce produit te permet de recevoir 3 années supplémentaires de garantie sur le cadre de ton kart à pédales ou de ton trampoline. Cette garantie supplémentaire s'ajoute à la garantie standard sur le cadre.

*Consulte les conditions sur www.bergtoys.com/fr/registration



www.bergtoys.com/registration



Index

1. Introduktion
2. Varningar
3. Information
4. Instruktioner för hoppning
 - 4.1 Instruktioner för hoppning
 - 4.2 Grundläggande hopp
5. Montering och underhållsinstruktioner
 - 5.1 Montering & nedmontering
 - 5.2 Underhållsinstruktioner
6. Regular studs matta + skyddsnät
 - 6.1 Ytterligare varningar:
 - 6.2 Ytterligare monterings- och underhållsinstruktioner.
7. InGround studs matta
 - 7.1 Ytterligare varningar:
 - 7.2 Ytterligare monterings- och underhållsinstruktioner.
8. FlatGround studs matta
 - 8.1 Ytterligare varningar:
 - 8.2 Ytterligare monterings- och underhållsinstruktioner.
9. Skyddsnät
 - 9.1 Ytterligare varningar:
10. Garanti
 - 10.1 Garantiperiod
 - 10.2 Garantins villkor

Den här studs mattan är lämplig för privat bruk. Information om vilka studs mattor som är lämpliga för användning i offentliga miljöer (som campingplatser, semesteranläggningar, restauranger med mera) finns på www.bergtoys.com.

1. Introduktion

Tack för att du väljer en studs matta från BERG. Vi är säkra på att du kommer att få många års nytta och nöje av att hoppa. Att använda studs matta uppmuntrar till aktiv och hälsosam lek. Det har en positiv inverkan på stress, fysiskt välbefinnande och blodcirkulation. Att hoppa studs matta är till för dem som är unga och dem som känner sig unga! Denna manual ger dig tips om montering och säker användning, samt hoppinstruktioner för många års problemfri användning. Att hoppa på en studs matta är inte farligt så länge som man följer säkerhetsinstruktionerna. BERG önskar dig en rolig och aktiv hoppupplevelse!

2. Varningar

- Användarens vikt ska inte överstiga:

Ø330	Ø380	Ø430
100kg	110kg	120kg

- Inte lämplig för barn under 36 månader. Fallrisk.
- Inte lämplig för barn under 36 månader. Kvävningrisk. Små delar.
- Studsmattan ska monteras av en vuxen enligt monteringsanvisningarna och ska sedan kontrolleras före första användning.
- BERG-trampolinen får endast användas utomhus.
- Läs instruktionerna noggrant och spara dem för framtida bruk.
- Endast en användare i taget. Risk för kollision. Om trampolinen används av flera personer kan detta leda till allvarliga skador.
- Hoppa utan skor.
- Använd inte mattan när den är blöt.
- Ha inget i händerna och töm fickorna innan du hoppar.
- Hoppa alltid i mitten av mattan.
- Ät inte när du hoppar.
- Hoppa inte av mattan
- Begränsa den tid som du hoppar (ta regelbundna pauser).
- Använd inte mattan vid starka vindar och förankra studsmattan.
- Inga kullerbyttor eller volter. Att landa på huvud eller nacke kan orsaka allvarliga skador också om du landar i mitten av mattan.
- Tillsyn av vuxen krävs.
- Det är förbjudet att använda BERGs studsmattor under påverkan av alkohol eller droger.
- Var försiktig eftersom kantskyddet kan bli väldigt varmt i direkt solljus.
- Håll eld och andra värmekällor borta från studsmattan.
- Föremål och andra hinder som kan störa hoppningen bör inte få finnas i hoppområdet.
- Föremål, djur eller människor under BERG-studsmattan är förbjudet.
- Hoppa alltid i mitten av mattan. Undvik att hoppa på dukens kant och studsmattans kantskydd.
- Rörelser som orsakar friktion (som en glidande rörelse) på studsmattans eller stoppningens tryck rekommenderas inte. Kraftig friktion vid en glidande rörelse över studsmattans eller stoppningens tryck kan leda till att tryckfärgen överförs på hud eller kläder. Det kan vara svårt att få bort tryckfärgen från kläder. Tryckfärgen uppfyller de stränga kemiska krav som uppställts för leksaksprodukter, därför har tryckfärgen vid kontakt med huden eller vid förtäring inga skadliga effekter på människors hälsa.

3. Information

- Denna BERG-produkt ska användas så som beskrivs i manualen. Användande som avviker från instruktionerna i manualen kan potentiellt leda till allvarliga skador på person eller produkt. Läs alla instruktioner innan studsmattan används. För att det ska vara säkert och behagligt att använda BERG-studsmattan medföljer varningar och instruktioner för skötsel och underhåll.
- Försäkra dig om ett område på minst 2 meter som är fritt från träd, staket och alla andra hinder i omgivningen.
- Det krävs att man har en fri höjd på minst 7 meter mätt från den yta som studsmattan står på.
- Av säkerhetsskäl är modifikationer eller ändringar av studsmattan, om de inte är godkända av BERG, förbjudna.

4. Instruktioner för hoppning

4.1 Instruktioner för hoppning

- Vid användning av en BERG-studsmatta är det nödvändigt att hålla kroppen i rätt position. Rätt kroppsposition och hållning uppnås genom att man spänner rätt muskler, vilket gör det säkert att hoppa studsmatta.
- God hållning gör det säkert att använda BERG-studsmattan. När man hoppar utsätts kroppen för stötar som kräver korrekt absorbering. Genom att spänna dina muskler får du bättre kontroll över din balans, och det leder till mer fjädring i hoppen. En mer avslappnad hållning, däremot, leder till mindre energi och mindre fjädring i hoppen. Börja med de grundläggande hoppen och positionerna och öka bara svårighetsgraden när du har bemästrat dem. För att få till ett stopp när du hoppar, böj på knäna när fötterna rör mattan.
- För att få till ett stopp när du hoppar, böj på knäna när fötterna rör mattan. Lär dig denna färdighet innan du försöker med något annat.
- Lär dig grundläggande hopp och kroppspositioner noggrant innan du försöker mer avancerade tekniker. En mängd hopp tekniker kan utföras för sig själva eller i serier eller kombinationer mellan hopp.
- Undvik att hoppa för högt. Lär dig först att kontrollera hoppen med en korrekt landning i mitten av mattan. Utifrån säkerheten är kontroll viktigare än höjd.
- För att behålla kontrollen medan du hoppar, se till att din hållning är rak, att huvudet hålls upprätt och att ögonen är riktade på studsmattan.
- Kontrollera fjädernas tillstånd (avbrutna eller överdrivet sträckta) och deras fäste i ramen och hoppduken. Fjädrarna och fjäderupphängningen är utsatta för slitage. Ersätt utslitna delar när det behövs.

4.2 Grundläggande hopp

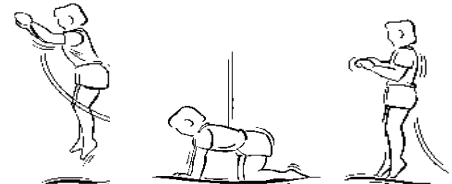
Grundhopp

Stå rakt, med huvudet i en rak position. Håll ögonen fokuserade på mattan. Medan du hoppar uppåt, svinga armarna framåt och i en cirkelrörelse och peka nedåt med tårna. Håll ihop fötterna, med tårna pekande nedåt, när du kommer tillbaka mot studsmattan. När du landar på mattan, håll dina fötter isär med ungefär 40 cm.



Hand- och knähopp

Börja med ett grundhopp. Håll ögonen fokuserade på mattan. Svinga armarna framåt och i en cirkelrörelse. Landa på händerna och knäna. Stöt ifrån med händerna och återgå till en stående position.



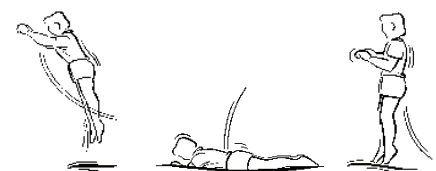
Sittstuds

Börja med ett grundhopp. Håll ögonen fokuserade på mattan. Landa i en sittande position. Placera händerna bredvid höfterna på mattan medan du sitter. Stöt ifrån med händerna och återgå till en stående position.



Maghopp

Gör ett grundhopp och landa på mage. Håll huvudet rakt. Håll armarna utsträckta framåt på mattan. Stöt ifrån med händerna och återgå till en stående position.



Rygghopp

Gör ett grundhopp och landa på rygg. Håll hakan tryckt mot ditt bröst medan du landar. Sparka framåt och uppåt med benen när du återgår till en stående position.



5. Montering och underhållsinstruktioner

5.1 Montering & nedmontering

- Montera inte studs mattan vid hård vind, utan vänta tills vinden lagt sig.
- Det rekommenderas att man bär handskar vid monteringen av produkten.
- Se till att BERG-studs mattan står plant. Använd ett vattenpass.
- Studs mattan kan ha fästansordningar och beslag med självlåsande muttrar. Dessa självlåsande muttrar är endast till för användning en gång. Vid nedmontering och ommontering måste de självlåsande muttrarna ersättas.
- För ytterligare instruktioner för monteringen av produkten, se sidan 3 och framåt.
- Installera tillbehör enligt installationsmanualen/vägledningen.
- Om studs mattan skulle behöva flyttas till en annan plats (kort avstånd), ta först isär ankorfästena (om sådana finns) innan flytt. Det rekommenderas att studs mattan lyfts i den övre ramen av minst 4 vuxna.
- Om studs mattan ska flyttas längre bort ska den tas isär. Lägg delarna i originalförpackningen och montera studs mattan igen på den nya platsen enligt monterings- och installationsanvisningarna.

5.2 Underhållsinstruktioner

- Inspektera BERG-studs mattan före varje användning enligt monteringsinstruktionerna och ersätt trasiga, slitna eller försvunna delar. Att inte följa dessa instruktioner och att försumma underhåll kan leda till farliga situationer och onödiga risker för användaren. För beställning av originaldelar eller tillbehör till BERG-studs mattan, kontakta våra BERG- auktoriserade återförsäljare eller gå till www.bergtoys.com.
- Kontrollera ramdelarnas tillstånd (trasiga svetsfogar, böjd ram eller skarpa eller utstickande delar) och ersätt dessa vid behov.
- Kontrollera fjädrarnas tillstånd (avbrutna eller överdrivet sträckta) och deras fäste i ramen och hoppduken. Fjädrarna och fjäderupphängningen är utsatta för slitage. Ersätt utslitna delar när det behövs.
- Kontrollera att bultarna sitter åt, och skruva åt dem där det behövs. Kontrollera tryckstiftens anslutningar för att se till de inte kommer att lossna när man hoppar.
- Kontrollera hoppdukens tillstånd (skador, inkorrekt spänning, sömmar som gått upp eller en slappt hängande hoppduk). Hoppduken slits av användning och av att bli utsatt för solljus (UV-strålning). Byt ut hoppduken i god tid när dess tillstånd försämras.
- Kontrollera kantskyddets tillstånd och dess fäste i ramen. Byt ut kantskyddet om det är trasigt.
- Det är förbjudet att använda gödselprodukter (konstgödsel, gödselkorn etc.) inom ett område på två meter runt BERG-studs mattan. Den sortens produkter kan vara skadliga för de material som studs mattan är gjord av.
- Hoppduken och kantskyddet kan rengöras med en trasa och kallt eller ljummet vatten. Använd ALDRIG lösningsmedel, diskmedel, tvättmedel eller hett vatten.
- Reparationer måste utföras av yrkesmän. Rådfråga din BERG-återförsäljare.

6. Regular studs matta + skyddsnät

6.1 Ytterligare varningar:

- BERG-studs mattan rekommenderas inte för användning av barn under 6 års ålder.
- Denna studs matta är inte avsedd att begravas i marken.
- Att installera BERG-studs mattan på betong, asfalt eller några andra hårda ytor eller i närheten av andra lekinstallationer (pooler, gungor, rutschkanor eller några andra lekkonstruktioner) är förbjudet.
- Se kapitel 9 för ytterligare varningar om skyddsnätet.

6.2 Ytterligare monterings- och underhållsinstruktioner.

- Vid kraftig vind och vindstötter kan studs mattan förflytta sig. Vi rekommenderar dig att förankra studs mattan med krampor eller sandsäckar, eller att demontera produkten när sådana vindförhållanden väntas.
- I vissa länder kan snö och mycket låga temperaturer skada studs mattan på vintern. BERG rekommenderar att man förvarar hoppduken och skyddsnätet inomhus under dessa klimatförhållanden.
- Försäkra dig om en trygg och säker miljö när studs mattan inte används. Skydda den mot obehörig användning. Om en stege används till studs mattan, ta undan den när studs mattan är obebod. Detta för att se till att barn inte använder studs mattan utan tillsyn.
- Om studs mattan inte används under korta perioder, för att skydda mot väder och skräp som löv och nedfallna kvistar, rekommenderar vi att du använder ett skyddshölje från BERG. När studs mattan inte används under längre perioder (till exempel på vintern) rekommenderar BERG att du förvarar studs mattan, och framför allt den skyddande vadden, på en torr plats för att den ska hålla längre.



7. InGround studsmatta

7.1 Ytterligare varningar:

- BERG-studsmattan rekommenderas inte för användning av barn under 6 års ålder.
- **Varning.** Montering av trampolinen kräver att en grop grävs i marken. Om du är osäker på markarbetet, kontakta en fackman.
- Föremål, djur eller människor får inte befinna sig under BERG-studsmattan. Om du tar bort kantskyddet, så kontrollera innan du sätter tillbaka det att det inte ligger något under studsmattan.
- Att installera BERG-studsmattan på betong, asfalt eller några andra hårda ytor eller i närheten av andra lekinstallationer (pooler, gungor, rutschkanor eller några andra lekkonstruktioner) är förbjudet.
- Se kapitel 9 för ytterligare varningar avseende skyddsnetet, om studsmattan används med skyddsnet.

7.2 Ytterligare monterings- och underhållsinstruktioner.

- Plats: Hitta en lämplig plats för installation av studsmattan. Säkerställa att det inte finns några hinder runt omkring. Kontrollera markens förhållanden och egenskaper för att bestämma placeringen.
- När du gräver gropen bör jorden vara fast för att undvika att den faller samman på grund av erosion. Om det är nödvändigt, förstärk gropens sidor eller jämna ut dem för att förebygga detta.
- Om marken är för hård att gräva i är det bättre att välja en annan plats, eller att ta kontakt med en specialist på grävningsarbete.
- Den grävda gropen bör inte innehålla vatten. Kontrollera att en hög grundvattennivå inte bidrar till en ansamling av vatten i gropen.
- Kontrollera också att det finns tillräcklig avrinning av regnvatten.
- Efter en regnig period och innan användning, inspektera studsmattans grop. Kontrollera att det finns tillräcklig avrinning för att forsla bort regnvatten.
- Som det visas i installationsmanualen, använd det bifogade måttbandet (finns i förpackningen) för att mäta upp korrekt diameter, djup och form på gropen som ska grävas. Försäkra dig om att gropen grävs enligt specifikationerna och att väggarna inte görs för branta. Att avvika från specifikationerna kan leda till oönskad väggkollaps och ostadighet i studsmattan.
- Studsmattans ben stöder studsmattans ram. Försäkra dig om att benen är positionerade jämnt i höjd och att de vilar stabilt på marken. Gör fast benen med de medföljande pålarna.
- Inspektera gropen under studsmattan regelbundet, (minst en gång per år) och vidta korrigeringsåtgärder vid behov. Kontrollera, enligt monteringsinstruktionerna, att gropen har rätt djup och rätt form, om ramen är stabil och om studsmattan fortfarande står helt plant. Kontrollera om det ligger föremål i gropen och avlägsna dem i sådana fall.
- I vissa länder kan snö och mycket låga temperaturer skada studsmattan på vintern. BERG rekommenderar dig att regelbundet ta bort snön från studsmattan.
- Om studsmattan inte används under korta perioder, kan den täckas över med ett skyddshölje från BERG, som håller den fri från till exempel blad och kvistar. När studsmattan inte används under längre perioder (till exempel på vintern) rekommenderar BERG att kantskyddet förvaras på en torr plats för att det ska hålla längre.

8. FlatGround studsmatta

8.1 Ytterligare varningar:

- BERG-studsmattan rekommenderas inte för användning av barn under 6 års ålder.
- **Varning.** Montering av trampolinen kräver att en grop grävs i marken. Om du är osäker på markarbetet, kontakta en fackman.
- Föremål, djur eller människor får inte befinna sig under BERG-studsmattan. Om du tar bort kantskyddet, så kontrollera innan du sätter tillbaka det att det inte ligger något under studsmattan.
- Se kapitel 9 för ytterligare varningar avseende skyddsnetet, om studsmattan används med skyddsnet.

8.2 Ytterligare monterings- och underhållsinstruktioner.

- Plats: Hitta en lämplig plats för installation av studsmattan. Säkerställa att det inte finns några hinder runt omkring. Kontrollera markens förhållanden och egenskaper för att bestämma placeringen.
- När du gräver gropen bör jorden vara fast för att undvika att den faller samman på grund av erosion. Om det är nödvändigt, förstärk gropens sidor eller jämna ut dem för att förebygga detta.
- Om marken är för hård att gräva i är det bättre att välja en annan plats, eller att ta kontakt med en specialist på grävningsarbete.

- Den grävda gropen bör inte innehålla vatten. Kontrollera att en hög grundvattennivå inte bidrar till en ansamling av vatten i gropen.
- Kontrollera också att det finns tillräcklig avrinning av regnvatten.
- Efter en regnig period och innan användning, inspektera studs mattans grop. Kontrollera att det finns tillräcklig avrinning för att forsla bort regnvatten.
- Som det visas i installationsmanualen, använd det bifogade måttbandet (finns i förpackningen) för att mäta upp korrekt diameter, djup och form på gropen som ska grävas.
- Inspektera gropen under studs mattan regelbundet, (minst en gång per år) och vidta korrigeringsåtgärder vid behov. Kontrollera, enligt monteringsinstruktionerna, att gropen har rätt djup och rätt form, om ramen är stabil och om studs mattan fortfarande står helt plant. Kontrollera om det ligger föremål i gropen och avlägsna dem i sådana fall.

9. Skyddsnet

9.1 Ytterligare varningar:

- Säkerställ att ingången i säkerhetsnätet är helt stängd innan BERG-trampolinen används.
- Det är inte tillåtet att hoppa över säkerhetsnätet.
- Det är inte tillåtet att krypa mellan trampolinstoppningen och undersidan av säkerhetsnätet.
- Skyddsnetet är avsett att göra det säkrare att hoppa, hoppa inte medvetet in i skyddsnetet och häng eller klättra inte i nätet.
- Se till så att användarens kläder inte innehåller några krokar, öglor, snören eller andra lösa delar som kan fastna i säkerhetsnätet.
- Det är inte tillåtet att fästa tillbehör eller reservdelar som inte är kompatibla med BERG i BERGs säkerhetsnät.
- Det är inte tillåtet att klättra på säkerhetsnätets stolpar.
- Ingången i säkerhetsnätet är BERG-trampolins enda ingång och utgång.
- Håll eld borta från säkerhetsnätet.
- Nätet ska bytas ut efter 5 år. (Eller tidigare om det slutar fungera).
- Vi rekommenderar dig att nedmontera skyddsnetet om kraftig vind och vindstötarna väntas.



10. Garanti

10.1 Garantiperiod

Studsmattor från BERG är av mycket hög kvalitet. För att ge dig år med bekymmersfritt nöje på våra studsmattor erbjuder BERG en funktionsgaranti. Det är en utfästelse om studsmattans funktionalitet. Var god se tabellen nedan för denna garantis villkor (år).

Ram	10
Ram (efter produktregistrering)	13 (10+3)
Kantskydd (Champion)	2
Kantskydd (Elite)	5
Hoppduken	2
Fjädrarnas	5
Skyddsnät	2

Med undantag av 1-årsgarantin på BERGs skyddshölje basic, har BERGs skyddsnät och tillbehör en garanti period på 2 år. Delar som är mottagliga för slitage (till exempel resårband), väder (till exempel rost och missfärgning) och skummet i rören för BERGs skyddsnät utesluts från garantin.

10.2 Garantins villkor

Produktens ägare kan endast göra anspråk på garantin genom att visa originalkvittot från köpet. Garantin gäller endast för material- och fabrikationsfel relaterade till BERG-produkten och relaterade delar.

Garantin blir ogiltig om:

- Produkten används oriktigt och/eller försumligt.
- Produkten inte monteras och underhålls i enlighet med instruktionsmanualen.
- Tekniska reparationer av produkten inte görs på ett professionellt vis.
- Reservdelar inte motsvarar de tekniska specifikationerna av produkten ifråga eller är inkorrekt installerade.
- Skada är orsakad av påverkan från väder, så som rost, UV-strålning eller vanligt väderslitage.
- Om BERG-studsmattan är inkorrekt nedgrävd.
- Produkten hyrs ut eller görs tillgänglig för användning av tredje part.
- Under garanti perioden kommer alla fastställda fel på material eller konstruktion att repareras eller ersättas av BERG. Reparationer utan kostnad är tillgängliga under förutsättning att produkten fortfarande befinner sig i sin garanti period enligt artikel 10.1.
- BERG-garantin kan endast gälla om det ursprungliga kvittot på köpet visas för den BERG-auktoriserade återförsäljaren. Om ägaren har flyttat eller BERG-återförsäljaren inte längre är verksam kan BERG rekommendera en alternativ BERG-återförsäljare.
- Om garantibegäran inte godkänns måste alla kostnader som uppstått betalas av ägaren.
- Denna garanti kan inte föras över till tredje part.

BERG



PRODUCT REGISTRATION

Vill du ha extra gratis garanti?*

Glöm då inte att direkt efter köpet registrera din produkt online via **www.bergtoys.com/registration**.

Denna produktregistrering berättigar dig till 3 års förlängd garanti på ramen till din gokart eller studs matta. Den utökade garantin är ett tillägg till den vanliga garantin på ramen som du får.

*Se alla villkor på www.bergtoys.com/registration



www.bergtoys.com/registration



Indholdsfortegnelse

1. Introduktion
2. Advarsler
3. Oplysninger
4. Hoppeinstruktioner
 - 4.1 Hoppeinstruktioner
 - 4.2 Grundlæggende hop
5. Montering og vedligeholdelsesinstruktioner
 - 5.1 Montering og demontering
 - 5.2 Vedligeholdelsesinstruktioner
6. Regular-trampolin + sikkerhedsnet
 - 6.1 Supplerende advarsler:
 - 6.2 Supplerende monterings- og vedligeholdelsesinstruktioner.
7. InGround-trampolin
 - 7.1 Supplerende advarsler:
 - 7.2 Supplerende monterings- og vedligeholdelsesinstruktioner.
8. FlatGround-trampolin
 - 8.1 Supplerende advarsler:
 - 8.2 Supplerende monterings- og vedligeholdelsesinstruktioner.
9. Sikkerhedsnet
 - 9.1 Supplerende advarsler:
10. Garanti
 - 10.1 Garantiperiode
 - 10.2 Garantibetingelser

Denne trampolin er velegnet til privat brug. Find oplysninger om, hvilke trampoliner der er egnede til allemandsbrug (fx til brug på campingpladser, ferieresorter, restauranter osv.), på www.bergtoys.com.

1. Introduktion

Tak fordi du valgte at købe en trampolin fra BERG. Vi er sikre på du vil få mange års gavnlig brug og glæde ved at hoppe. Brug af trampolinen fremmer aktiv og sund leg. Det har en positiv effekt på stress, fysisk tilstand og blodomløb. Hop på trampolin er både for unge og barnlige sjæle! Denne vejledning giver tips om montering, sikker brug og hoppeinstruktioner til mange års problemfri brug. Det er ikke farligt at hoppe på en trampolin, så længe man følger sikkerhedsinstruktionerne. BERG ønsker dig en sjov og aktiv hoppeoplevelse!

2. Advarsler

- Den maksimale brugervægt er:

Ø330	Ø380	Ø430
100kg	110kg	120kg

- Ikke egnet til børn under 36 måneder. Fare for at falde.
- Ikke egnet til børn under 36 måneder. Kvælningsfare. Små dele.
- Trampolinen skal samles af en voksen i overensstemmelse med samlevejledningen og derefter kontrolleres før første brug.
- BERG-trampolinen er kun til udendørs brug.
- Læs instruktionerne omhyggeligt og opbevar dem til fremtidig reference.
- Kun én bruger. Fare for sammenstød. Brug af flere personer kan medføre alvorlig skade.
- Hop uden sko.
- Anvend ikke dugen, når den er våd.
- Tøm lommerne, før der hoppes, og undgå at have noget i hænderne.
- Hop altid midt på dugen.
- Spis og hop ikke samtidig.
- Forlad ikke trampolinen med et hop.
- Begræns tiden for brug (hold regelmæssige pauser).
- Fastgør trampolinen, og anvend den ikke i stærk vind.
- Ingen saltomortaler. Landing på hoved eller hals kan forårsage alvorlig skade, selv når du lander midt på trampolindugen.
- Voksens opsyn påkrævet.
- Det er forbudt at bruge BERG-trampoliner under påvirkning af alkohol eller andre rusmidler.
- Polstringen kan blive meget varm i direkte sollys, så vær forsigtig.
- Hold ild og andre varmekilder væk fra trampolinen.
- Ting og andre forhindringer, der kan forstyrre hopperiet bør forbydes i hoppeområdet.
- Der må ikke befinde sig nogen genstande, dyr eller personer under BERG-trampolinen.
- Hop altid midt på dugen. Undgå at hoppe i kanten af dugen og på trampolinen polstring.
- Det frarådes at lave bevægelser, som kan forårsage betydelig friktion, f.eks. "glidning" hen over påtrykket på springmåtten eller polstringen. Kraftig friktion ved glidning hen over påtrykket på springmåtten eller polstringen kan resultere i at blæk afgives til huden eller tøjet. Det kan være vanskeligt at fjerne blækket fra tøj. Blækket opfylder strenge krav, der stilles til brug af kemikalier på legetøj; derfor er der ingen skadelige effekter på menneskers sundhed ved hudkontakt med eller indtagelse af blækket.

3. Oplysninger

- BERG-produktet skal bruges, som beskrevet i vejledningen. Brug, der afviger fra vejledningen, kan potentielt føre til alvorlige personskader eller beskadigelse af produktet. Læs hele vejledningen før brug af trampolinen. For at sikre sikker og komfortabel brug af BERG-trampolinen, er der inkluderet advarsler og anvisninger mht. pleje og vedligeholdelse.
- Sørg for en minimums-afstand på mindst 2 meter til træer, hegn og andre omkringliggende forhindringer.
- Det er påkrævet at have en minimums-frihøjde opadtil på 7 meter, målt fra underlaget som trampolinen står på.
- Af sikkerhedsmæssige årsager, medmindre BERG har godkendt dette, er det forbudt at ændre eller modificere trampolinen.

4. Hoppeinstruktioner

4.1 Hoppeinstruktioner

- Når du bruger BERG-trampolinen er det et krav, at du har den rigtige kropsholdning. Den rigtige kropsholdning og ligevægten opnås ved at spænde de rigtige muskler, og dette gør det muligt at springe sikkert i trampolin.
- God kropsholdning sikrer sikker brug af BERG-trampolinen. Når man hopper, udsættes kroppen for stød, der kræver korrekt stødabsorption. Ved at spænde musklerne, opnår du bedre kontrol over balancen hvilket giver bedre udholdenhed mens du hopper. Omvendt fører en mere afslappet kropsholdning til tab af energi og udholdenhed mens du hopper. Begynd med de grundlæggende hop og hoppepositioner og øg først sværhedsgraden, når du har styr på disse. For at stoppe, mens du hopper, skal du bøje knæene når dine fødder rører dugen.
- For at stoppe, mens du hopper, skal du bøje knæene når dine fødder rører dugen. Lær at gøre dette, før du prøver flere og andre teknikker.
- Lær de grundlæggende hop og kropsholdninger grundigt, før du prøver mere avancerede teknikker. Nogle hoppeteknikker kan udføres hver for sig eller i serier og/eller kombination med flere hop.
- Undgå hoppe for højt. Opnå først kontrol over dine hop med en korrekt landingsposition midt på dugen. Ud fra et sikkerhedsmæssigt perspektiv er kontrol vigtigere end højde.
- For at sikre og fastholde kontrollen mens du hopper, skal din kropsholdning være lige, hovedet skal være i oprejst position og øjnene være fokuseret på springdugen.
- Kontrollér fjedrenes stand (knækket eller overdreven strækning) og fjedrenes fastgørelse til rammen og springmatten. Fjedrene og deres ophæng er udsatte for slitage; derfor skal slidte dele udskiftes i god tid.

4.2 Grundlæggende hop

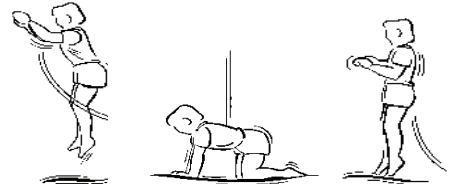
Grundlæggende hop

Indtag opretstående stilling med hovedet i oprejst position. Fokuser blikket på springdugen. Når du hopper opad, svinger du armene fremad i en cirkulær bevægelse og peger tæerne nedad. Hold fødderne tæt sammen med tæerne pegene nedad, når du vender tilbage til springdugen. Når du lander på springdugen, skal du holde dine fødder ca. 40 cm fra hinanden.



Hop på hænder og knæ

Begynd med grundlæggende hop. Fokuser blikket på springdugen. Sving armene fremad i en cirkulær bevægelse. Land på hænder og knæ. Skub fra med hænderne og vend tilbage til opretstående stilling.



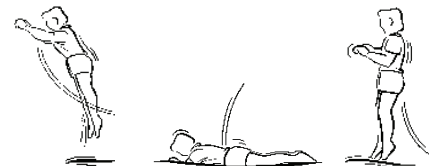
Hop på bagdelen

Begynd med grundlæggende hop. Fokuser blikket på springdugen. Land i siddende stilling. Placer hænderne ved siden af hoften på springdugen, når du er i siddende stilling. Skub fra med hænderne og vend tilbage til opretstående stilling.



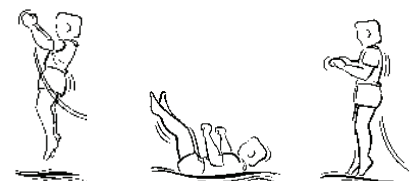
Mavehop

Begynd med grundlæggende hop og land på maven. Hold hovedet lige. Hold armene strakte og pegende fremad på springdugen. Skub fra med hænderne og vend tilbage til opretstående stilling.



Hop på ryggen

Begynd med grundlæggende hop og land på ryggen. Hold hagen presset ned mod brystet under landingen. Spark fremad og opad med benene, når du vender tilbage til stående stilling.



5. Montering og vedligeholdelsesinstruktioner

5.1 Montering og demontering

- Montér ikke trampolinen i hård vind; vent til vinden er aftaget.
- Vi anbefaler at bruge arbejdshandsker ved montering af produkterne.
- Sørg for, at BERG trampolinen er opstillet i vater. Brug et vaterpas til dette formål.
- Trampolinen kan have fastgørelsesmateriale med selvåsende møtrikker. Selvåsende møtrikker er kun beregnet til engangsbrug. Ved demontering og genmontering skal de selvåsende møtrikker udskiftes.
- Se side 3 for monteringsinstruktionerne for produktet.
- Installer tilbehør iht. installationsvejledningen/guiden.
- Hvis trampolinen skal flyttes til en anden placering (kort afstand), skal ankrene fjernes (hvis disse er monteret) før trampolinen flyttes. Det anbefales, at trampolinen løftes i de øverste rør af mindst 4 voksne.
- Trampolinen bør skilles ad, inden den flyttes over længere afstande. Læg delene i den originale emballage og saml trampolinen på den nye placering i overensstemmelse med montagevejledning.

5.2 Vedligeholdelsesinstruktioner

- Inspicér altid BERG trampolinen før hver brug ved hjælp af montagevejledningen, og udskift defekte, slidte eller manglende dele. Tilsidesættelse af disse instruktioner og manglende vedligeholdelse kan medføre farlige situationer og unødige risici for brugeren. For bestilling af originaldele og tilbehør til BERG trampolinen, henvises der til din forhandler eller www.bergtoys.com.
- Kontrollér rammedelenes stand (knækkede svejsninger, bøjet ramme eller skarpe dele eller dele, der stikker frem), og udskift disse, hvis det er nødvendigt.
- Kontrollér fjedrenes stand (knækket eller overdreven strækning) og fjedrenes fastgørelse til rammen og springmåtten. Fjedrene og deres ophæng er udsatte for slitage; derfor skal slidte dele udskiftes i god tid.
- Kontrollér, om boltsamlingerne er forsvarligt fastspændte, og efterspænd dem om nødvendigt. Kontrollér, om samlingerne (trykstifter) er sikrede, og kontrollér, at disse ikke kan løsne sig, når man springer på trampolinen.
- Kontrollér springmåtten stand (beskadigelser, forkert spænding, syninger der har løsnet sig eller om springmåtten har sænket sig). Springmåtten er udsat for slitage på grund af brug og udsættelse for sollys (uv-stråling). Udskift springmåtten i god tid, hvis dens stand forværres.
- Kontrollér beskyttelseskantens stand og fastgørelsen af beskyttelseskanten til rammen. Udskift beskyttelseskanten, hvis den er defekt.
- Brug af gødningsstoffer (kunstgødning, gødningskorn osv.) er ikke tilladt i en radius af 2 meter rundt om BERG trampolinen. Brug af sådanne produkter kan være skadelig for trampolinens materialer.
- Springmåtten og kantpuden på rammen kan rengøres med en klud og koldt eller lunkent vand. Brug aldrig opløsningsmidler, opvaskemiddel, sæbepulver eller varmt vand.
- Reparationer skal udføres af en fagmand. Kontakt din BERG-forhandler.

6. Regular-trampolin + sikkerhedsnet

6.1 Supplerende advarsler:

- Trampolinen fra BERG anbefales ikke til brug af børn under 6 år.
- Denne trampolin er ikke beregnet til at blive begravet i jorden.
- Det er forbudt at placere BERG-trampolinen på beton, asfalt eller en anden hård overflade eller i nærheden af andre legeredskaber (bassiner, gynger, rutchebaner eller nogen andre legeredskaber).
- Se kapitel 9 for supplerende advarsler om sikkerhedsnettet.

6.2 Supplerende monterings- og vedligeholdelsesinstruktioner.

- Trampolinen kan blive flyttet af hård vind og vindstød. Vi anbefaler at forankre trampolinen ved hjælp af ankre eller sandsække eller at demontere springmåtten forud for disse vejrforhold.
- I nogle lande kan sneens vægt og lave temperaturer beskadige trampolinen om vinteren. BERG anbefaler at opbevare springmåtten og sikkerhedsnettet indendørs om vinteren.
- Sørg for at omådet er sikkert og beskyttet, når trampolinen ikke er i brug. Beskyt det mod uautoriseret brug. Hvis der benyttes en trampolinstige, skal denne fjernes når trampolinen efterlades uden opsyn. Dette for at sikre, at børn ikke bruger trampolinen uden opsyn.
- Hvis trampolinen ikke anvendes i kortere perioder og for at undgå at den beskadiges af eller fyldes med nedfaldne blade og kviste, anbefaler BERG brugen af et BERG Weather Cover (vejr dække). Hvis trampolinen ikke bruges i en længere periode (f.eks. i løbet af vinteren) anbefaler BERG, at opbevare trampolinen, især den beskyttende polstring, på et tørt sted, for at forlænge produktets levetid.



7. InGround-trampolin

7.1 Supplerende advarsler:

- Trampolinen fra BERG anbefales ikke til brug af børn under 6 år.
- **Advarsel.** Installation af trampolinen forudsætter, at der graves et hul i jorden. Er du ikke fortrolig med gravearbejdet, kontakt da en fagperson.
- Genstande, dyr og personer er forbudt under BERG trampolinen. Hvis du løsner beskyttelseskanten, skal du kontrollere, at der ikke ligger noget under trampolinen, når beskyttelseskanten fastgøres igen.
- Det er forbudt at placere BERG-trampolinen på beton, asfalt eller en anden hård overflade eller i nærheden af andre legeredskaber (bassiner, gynger, rutchebaner eller nogen andre legeredskaber).
- Se kapitel 9 for supplerende advarsler om sikkerhedsnettet, hvis trampolinen bruges med et sikkerhedsnet.

7.2 Supplerende monterings- og vedligeholdelsesinstruktioner.

- Beliggenhed: Find den optimale placering til trampolinen: Placer trampolinen tilstrækkelig langt fra forhindringer og kontroller jordbundsforholdene.
- Når hullet graves, bør jorden være fast at undgå den falder sammen på grund af erosion. Forstærk om nødvendigt hullets sider, eller glat dem for at forhindre dette.
- Hvis jorden er for hård til at grave hul, er det bedre at vælge et andet sted, eller kontakt en fagkyndig inden for udførelse af jordarbejde.
- De udgravede hul må ikke indeholde vand. Tjek området, så du kan undgå at et højt grundvandsniveau fylder hullet med vand.
- Tjek også, om der er passende afløb til bortskaffelse af regnvand.
- Tjek trampolinens hul efter en regnfuld periode og før brug. Sørg for, at der er passende afløb til bortskaffning af regnvand.
- Som vist på diagrammet i installationsvejledningen, skal du bruge det medfølgende målebånd (findes i emballagen) til at måle og bestemme den korrekte diameter, dybde og form på det udgravede hul. Sørg for hullet graves ud iht. specifikationerne og at væggene ikke gøres alt for stejle. Hvis hul-specifikationerne ikke følges, kan dette resultere i at væggene styrter sammen og at trampolinen bliver ustabil.
- Benene på trampolinen bærer trampolinens ramme. Sørg for at benenes position er ens i højden og står godt fast på jorden. Foranker benene med de medfølgende jordspyd.
- Inspicér hullet under trampolinen med jævne mellemrum (mindst én gang om året), og træf om nødvendigt forholdsregler for at afhjælpe eventuelle fejl/mangler. Som nævnt i monteringsinstruktionerne skal hullet kontrolleres for korrekt dybde, den rigtige form; desuden skal rammen kontrolleres for stabilitet og om trampolinen stadig er opstillet i vater. Kontrollér hullet for eventuel tilstedeværelse af genstande, og fjern disse, hvis det er nødvendigt.
- I nogle lande kan sneens vægt og lave temperaturer beskadige trampolinen om vinteren. BERG anbefaler regelmæssigt at fjerne sne, der ligger på trampolinen.
- Når trampolinen ikke skal bruges i korte perioder, kan den tildækkes med en BERG presenning, som holder trampolinen fri for f.eks. blade og grene. Når trampolinen ikke skal bruges i en længere periode (f.eks. om vinteren), anbefaler vi at opbevare beskyttelseskanten på et tørt sted. Dette øger produktets holdbarhed.

8. FlatGround-trampolin

8.1 Supplerende advarsler:

- Trampolinen fra BERG anbefales ikke til brug af børn under 6 år.
- **Advarsel.** Installation af trampolinen forudsætter, at der graves et hul i jorden. Er du ikke fortrolig med gravearbejdet, kontakt da en fagperson.
- Genstande, dyr og personer er forbudt under BERG trampolinen. Hvis du løsner beskyttelseskanten, skal du kontrollere, at der ikke ligger noget under trampolinen, når beskyttelseskanten fastgøres igen.
- Se kapitel 9 for supplerende advarsler om sikkerhedsnettet, hvis trampolinen bruges med et sikkerhedsnet.

8.2 Supplerende monterings- og vedligeholdelsesinstruktioner.

- Beliggenhed: Find den optimale placering til trampolinen: Placer trampolinen tilstrækkelig langt fra forhindringer og kontroller jordbundsforholdene.
- Når hullet graves, bør jorden være fast at undgå den falder sammen på grund af erosion. Forstærk om nødvendigt hullets sider, eller glat dem for at forhindre dette.
- Hvis jorden er for hård til at grave hul, er det bedre at vælge et andet sted, eller kontakt en fagkyndig inden for udførelse af jordarbejde.

- De udgravede hul må ikke indeholde vand. Tjek området, så du kan undgå at et højt grundvandsniveau fylder hullet med vand.
- Tjek også, om der er passende afløb til bortskaffelse af regnvand.
- Tjek trampolinens hul efter en regnfuld periode og før brug. Sørg for, at der er passende afløb til bortskafning af regnvand.
- Som vist på diagrammet i installationsvejledningen, skal du bruge det medfølgende målebånd (findes i emballagen) til at måle og bestemme den korrekte diameter, dybde og form på det udgravede hul.
- Inspicér hullet under trampolinen med jævne mellemrum (mindst én gang om året), og træf om nødvendigt forholdsregler for at afhjælpe eventuelle fejl/mangler. Som nævnt i monteringsinstruktionerne skal hullet kontrolleres for korrekt dybde, den rigtige form; desuden skal rammen kontrolleres for stabilitet og om trampolinen stadig er opstillet i vater. Kontrollér hullet for eventuel tilstedeværelse af genstande, og fjern disse, hvis det er nødvendigt.

9. Sikkerhedsnet

9.1 Supplerende advarsler:

- Sørg for, at adgangen til sikkerhedsnettet er helt lukket, før du bruger BERG-trampolin.
- Det er forbudt at hoppe over sikkerhedsnettet.
- Det er forbudt at kravle mellem trampolinens polstring og undersiden af sikkerhedsnettet.
- Sikkerhedsnettet er beregnet til at gøre trampolinspring sikrere; lad være med at springe i sikkerhedsnettet med vilje, og undlad at hænge eller klatre i sikkerhedsnettet.
- Sørg for, at brugerens beklædning ikke indeholder kroge, sløjfer, snører eller andre løse dele, som eventuelt kan sidde fast i sikkerhedsnettet.
- Det er forbudt at sætte tilbehør eller reservedele på BERG-sikkerhedsnettet, der ikke er BERG-kompatible eller er originale BERG-reservedele.
- Det er forbudt at klatre i sikkerhedsnettets stolper.
- Sikkerhedsnettets indgang er det eneste indgangs- eller udgangspunkt til BERG-trampolinen.
- Hold ild væk fra sikkerhedsnettet.
- Nettet bør udskiftes hvert 5 år (eller før ved tab af funktionalitet).
- Vi anbefaler at demontere sikkerhedsnettet ved hård vind og vindstød forud for disse vejrforhold.



10. Garanti

10.1 Garantiperiode

BERGs trampoliner er udført i en fremragende kvalitet. For at sikre dig mange års sjov og glæde på vores trampoliner, giver BERG dig en funktionalitetsgaranti. En funktionalitetsgaranti er en garanti, der dækker dens funktionelle brug. Se nedenstående tabel over garantiens varighed (år).

Ramme	10
Ramme (efter registrering produkt)	13 (10+3)
Polstring (Champion)	2
Polstring (Elite)	5
Springdugen	2
Fjedrenes	5
Sikkerhedsnet	2

Med undtagelse af den 1-års garanti for BERGs Weather Cover (Vejrdække), er BERGs sikkerhedsnet og tilbehør omfattet af en garantiperiode på 2 år. Dele, der er modtagelige for slitage (f.eks. elastikker), vejrets påvirkning (f.eks. rust og misfarvning) og skummet på rørene i BERGs sikkerhedsnet, er ikke omfattet af garantien.

10.2 Garantibetingelser

Ejeren af produktet kan kun kræve garantidækning ved at fremvise den originale kvittering for købet. Garantien dækker kun materiale- og fabrikationsfejl relateret til BERG-produktet og dets relaterede dele.

Garantien annulleres og bliver ugyldig, hvis:

- Produktet bruges forkert og/eller uagtsomt.
- Produktet ikke er samlet og vedligeholdt i overensstemmelse med brugsanvisningen.
- Tekniske reparationer på produktet ikke er udført på en professionel måde.
- Reservedele er installeret forkert eller ikke svarer til de tekniske specifikationer for det pågældende produkt.
- Skader forårsaget af påvirkninger fra vejret som rust, UV-stråler eller normal slitage.
- Forkert nedgravning af BERG-trampolinen.
- Produktet anvendes til udlejning eller stilles til rådighed for brug af en tredjepart.
- Under garantiperioden vil alle materialer og konstruktionsrelaterede fejl blive repareret eller erstattet af BERG. Reparationer udføres og håndteres uden omkostninger, såfremt produktet stadig er inden for garantiperioden, som anført i artikel 10.1.
- BERGs garanti kan kun indfries, hvis det originale købsbevis vises til en autoriseret BERG-forhandler. Hvis ejeren er flyttet eller BERG-forhandleren er lukket, kan BERG anbefale en alternativ BERG-forhandler.
- Hvis garantikravet ikke er opfyldt, skal alle udgifter betales af ejeren.
- Denne garanti kan ikke overdrages til tredjemand.

BERG



PRODUCT REGISTRATION

Er du interesseret i en gratis supplerende garanti?*

Glem ikke at registrere dit produkt online med det samme!
Gå til **www.bergtoys.com/registration**.

Denne produktregistrering giver dig ret til tre års udvidet garanti på rammen på din go-kart eller trampolin. Denne udvidede garanti er et supplement til standardgarantien på den ramme, du modtager.

*For at se betingelserne, så besøg www.bergtoys.com/registration



www.bergtoys.com/registration



BERGTOYS.COM

B/N sticker