



Discovery® Forest Water Run Assembly Instructions

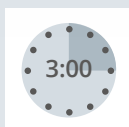
Discovery® Cascade d'eau en forêt
Instructions de montage

Juego de agua Forest Discovery®
Instrucciones de montaje

Gioco in legno acqua della foresta Discovery®
Istruzioni di montaggio

Discovery® Forest Wasserlauf
Montageanleitung

27694AA69/27703AA69



plumplay

EN Thank you for purchasing from Plum®
Plum® are the playtime specialists providing the fuel for imaginations to flourish. For over 30 years we've been inspiring fun across the globe. We are passionate about encouraging play in a fun yet safe environment, allowing children freedom of play and parents peace of mind.

FR Nous vous remercions d'avoir acheté un produit Plum®
Spécialiste du divertissement, Plum® propose des produits ludiques visant à stimuler l'imagination des enfants. Depuis plus de 30 ans, le jeu et le divertissement sont au cœur de notre activité. Nous avons pour vocation de favoriser le jeu dans un environnement amusant et sûr, en offrant un espace amusant pour les enfants et la tranquillité d'esprit aux parents.

ES Gracias por comprar productos de Plum®
Plum®, especializada en actividades de ocio, da alas a la imaginación de los niños. Durante más de 30 años fomentamos la diversión en todo el mundo. Nos apasiona que los niños jueguen en un entorno divertido pero seguro, dotándoles a ellos de la libertad que necesitan y a los padres de la tranquilidad que buscan.

IT Grazie per aver acquistato da Plum®
Plum® è lo specialista dei giochi che nutrono l'immaginazione. Da più di 30 anni siamo fonte di divertimento in tutto il mondo. Ci appassiona incoraggiare l'attività ludica in un contesto sicuro e al tempo stesso divertente, dove i bambini sian liberi di giocare e i genitori possano stare tranquilli.

DE Danke, dass Sie bei Plum® eingekauft haben
Plum® sind die Spezialisten für Spielsachen. Wir sorgen dafür, dass sich die Fantasie Ihrer Kinder frei entfaltet. Seit über 30 Jahren sorgen wir überall auf der Welt dafür, dass Kinder Spaß haben. Wir lieben es, Kinder in einem spielerischen und dennoch sicheren Umfeld zum Spielen zu bringen. Dies sorgt bei Kindern für freien Spielspaß und bei Eltern für ein ruhiges Gewissen.

**كئ ارشل أركش
Plum® AR
تاجت ندم
يف ةص صختم ةك رش
ري و طت لى لى دؤت يتى لى باع لى لى
يف ةحرف لى رش ن ن ح ن . لى خت لى
أ. م اع 30 ن م رث ك رادم لى لى ح لى م اع لى
باع لى لى عى ج شت لى لى س م ح ت م ن ح ن
امم ة ن م آ ه ن ك لى لى و ع ت م م ة ئى ب ب ي ف
ح ن م ي و ب ع لى لى لى ر ح لى لى ف ط لى لى ح ن م ي
ل ا ب لى لى ح ا ر م ة ه ا ب آ**

PL Dziękujemy za dokonanie zakupu od Plum®
Plum® to eksperci od zabawy wspomagający rozwój dziecięcej wyobraźni. Od ponad 30 inspirujemy do zabawy małych mieszkańców całego globu. Nasza pasją jest zachęcanie do zabawy w przyjaznym, bezpiecznym otoczeniu. Dzieciom zapewniamy swobodę zabawy, a rodzicom – spokój ducha.

SV Tack för att du handlar från Plum®
Plum® är lekspecialisterna som låter fantasin blomma. Under över 30 år har vi inspirerat lek och glädje världen över. Vi vill uppmuntra lek i en rolig men ändå säker miljö, som ger

barnen frihet och låter föräldrarna slippa oro.

NL Bedankt dat u een product van Plum® hebt gekocht
Plum® is dé speelgoed specialist die alle dromen werkelijkheid laat worden. We zorgen al meer dan 30 jaar wereldwijd voor veel plezier. We stimuleren kinderen graag om te spelen in leuke maar veilige omgevingen. Wij bieden kinderen vrijheid en ouders rust.

CZ Děkujeme vám, že nakupujete u firmy Plum®
Firma Plum® se specializuje na volný čas, dodává křídla fantazii a přivádí ji k rozkvětu. Inspirojeme zábavu na celém světě už plných 30 let. Naši vášní je povzbuzovat děti k zábavným hrám v bezpečném prostředí, které jim poskytuje svobodu při hře a rodičům klid a jistotu.

SK Ďakujeme, že ste si kúpili výrobok od spoločnosti Plum®
Plum® je špecialistom na hru a podporuje zdravý rozkvet predstavivosti. Viac ako 30 rokov inšpirujeme svet zábavou. Našou vášňou je podporovať hru v bezpečnom prostredí, kde sa môžu deti slobodne hrať a rodičia sa o ne nemusia obávať.

DA Tak, fordi du købte et produkt fra Plum®
Plum® er specialister inden for leg og får fantasien til at stortrives. I mere end 30 år har vi været inspiration for sjov over hele kloden. Det ligger os meget på hjerte at få børn til at lege i et sjovt og sikkert miljø, hvor de har frihed til at lege og forældrene ro i sindet.

HU Köszönjük, hogy Plum® termékét vásárolt!
A Plum® a játékok szakértője, szárnyakat ad a gyermekek képzelőerejének. Már több mint 30 éve inspiráljuk a vidám játékot az egész világon. Szenvédélyünk a játszás ösztönzése egy vidám és biztonságos környezetben, amely a játék szabadságát adja a gyermekeknek és nyugalmat a szülőknek.

TR Plum® ürününü aldığınız için teşekkür ederiz
Plum®, hayal gücünün gelişmesi için gerekli yakıtı sağlayan oyun zamanı uzmanıdır. 30 yıldan uzun süredir dünya üzerinde eğlence konusunda ilham kaynağıyız. Eğlenceli ama aynı zamanda güvenli ortamlarda oyun oynamaı teşvik ederek çocuklara oyun oynama özgürlüğü, anne-babalara da zihin rahatlığı sağlıyoruz.

EL Σας ευχαριστούμε που προτιμήσατε την Plum®
Η Plum® ειδικεύεται στους χώρους παιχνιδιού με στόχο την ανάπτυξη της φαντασίας. Εδώ και παραπάνω από 30 χρόνια, εμπνέουμε την ψυχαγωγία σε όλον τον πλανήτη. Πάθος μας είναι να ενθαρρύνουμε το παιχνίδι σε ένα ψυχαγωγικό αλλά και ασφαλές περιβάλλον, παρέχοντας ελευθερία στα παιδιά και ηρεμία στους γονείς τους.

ZH 感谢您购买Plum®产品
Plum®是专家级玩具品牌，我们用玩具激发孩子们的无限想象。超过30年以来，我们在全球各地给孩子们带来快乐。我们极其重视在既有趣味性又注重安全的环境中鼓励孩子们参与游乐，给孩子们自由自在的玩耍空间，同时也免去家长对孩子安全的担忧。

IS Þakka þér fyrir að versla við Plum®
Plum® eru leikjasérfræðingar sem útvega eldsneytið sem fær ímyndunaraflíð til að blómstra. Í meira en 30 ár höfum við hvatt til skemmtunar um allan heim. Við höfum ástríðu fyrir að hvetja til leiks í skemmtilegu, öruggu umhverfi, sem veitir börnunum frelsi til að leika sér og foreldrum hugarró.

FI Kiitos, että ostit Plum®-tuotteen
Plum® on leikin ja vapaa-ajan asiantuntijayritys, joka tarjoaa kasvualueen mielikuvitukselle. Olemme innostaneet ihmisiä hauskanpitoon kaikkialla maailmassa jo 30 vuoden ajan. Meille on tärkeää kannustaa leikkimiseen hauska ja turvallisessa ympäristössä, jossa lapset voivat leikkiä vapaasti ja aikuiset olla rauhallisin mielin.

ES Gracias por comprar productos de Plum®
Plum®, especializada en actividades de ocio, da alas a la imaginación de los niños. Durante más de 30 años fomentamos la diversión en todo el mundo. Nos apasiona que los niños jueguen en un entorno divertido pero seguro, dotándoles a ellos de la libertad que necesitan y a los padres de la tranquilidad que buscan.

LP プラムをご利用いただき、誠にありがとうございました。
プラムは創造力を膨らませる支援をする遊びのスペシャリストです。30年にわたり世界中で、楽しさを提供してきました。子供たちが自由に遊べ、親は安心できるように、楽しく安全な環境で遊ぶように熱意を持って推奨しています。

NO Takk for at du kjøpte fra Plum®
Plum® er laget av lekespesialister som hjelper fantasien å blomstre. I over 30 år har vi inspirert til moro over hele verden. Vi har et sterkt ønske om å oppmuntre til lek i et morsomt, men trygt miljø, slik at barn får leke fritt mens foreldrene ser at de er trygge.

PT Obrigado por comprar na Plum®
A Plum® é a especialista em diversão que proporciona o incentivo para o desenvolvimento da imaginação. Há mais de 30 anos que inspiramos a diversão em todo o mundo. Somos apaixonados por incentivar a diversão num ambiente divertido, mas seguro, oferecendo às crianças a liberdade para brincar e aos pais toda a tranquilidade.

RO Vă mulțumim pentru cumpăraturile făcute la Plum®
Compania Plum® este specializată în articole recreative, stimulând dezvoltarea imaginației. De peste 30 de ani, oferim inspirație pentru distracție în întreaga lume. Încurajăm cu pasiune joaca într-un mediu distractiv și sigur în același timp, asigurându-le copiilor libertate de manifestare, iar părinților, liniște sufletească.

RU Благодарим за покупку продукта Plum®
Компания Plum® специализируется на игровой индустрии и создает условия для развития воображения. Уже более 30 лет мы дарим радость людям по всему миру. Мы стараемся вдохновлять их на веселые игры в безопасной среде, дарим детям свободу, а родителям — спокойствие.

EN Advisory Section

To ensure the safety of you, the installer and your children, it is important that these instructions are read fully before commencing the positioning and installation of this product.

Timber Advice

This product has been made from premium timber. Great care has been taken in selecting, treating and machining the timber before it is presented to you. Timber is a natural product and as such may experience changes throughout the course of its life. This means it may:

- Develop openings (gaps, slits, apertures, cracks, splits) along the line of the grain. These openings are due to the difference in moisture content between the internal and outer surfaces of the timber. This is to be expected, is totally acceptable and will not affect the integral strength, life or guarantee of the product.
- Warp and distort its shape. Any distortion will be slight and will not affect the safety or enjoyment of this product.
- Fade as the timber reacts with sunlight. The timber should be treated with a proprietary product to act as a protective barrier, i.e. a water repellent, on an annual basis.
- After first year of service treat product with a good quality treatment safe for children's use.

Biocidal Products Regulations EU 528/2012

Wolmanit CX-8WB treated wood is a treated article that incorporates biocidal products: Copper hydroxide carbonate/II/boric acid. They protect wood against decay/rot/insect attack. Keep away from food, drink and animal feeding stuffs.

Routine Maintenance

During long periods of non use (particularly during the winter) it is suggested that attachments such as swings are dismantled and stored in a dry environment. This will prolong the life of such attachments.

WARNING!

Minimum user age 3+ years • Adult assembly required • Adult supervision required at all times • Only for domestic use • Outdoor use only • Not suitable for children under 36 months due to small parts - choking hazard • Retain assembly instruction for future use • Place on a level surface at least 2m from any structure or obstruction such as fence, garage, house, overhanging branches, laundry lines or electrical wires • Must not be installed over concrete, asphalt or any other hard surface • It is advised that on a regular basis (i.e. at the beginning of the season and monthly thereafter) all main parts/fixings are checked as secure, well oiled (if metallic), have no sharp points/edges and are intact. Replace, oil and/or tighten when necessary. Failure to do so may result in an injury or hazard • Any attachments such as swings, chains, ropes, etc must be regularly examined for evidence of deterioration. Replace any attachments if there are signs of deterioration. Failure to do so may result in an injury or hazard • Please keep animals at a safe distance from this product • Do not place the material in the mouth • Wash hands after use • Warning: In predisposed subjects, it may cause allergic reactions • Maximum user weight 50kg • Do not overtighten nuts and screws as this may cause them to shear and potentially cause structural failure • Please do not make any modifications to the product, it may result in an injury or hazard.

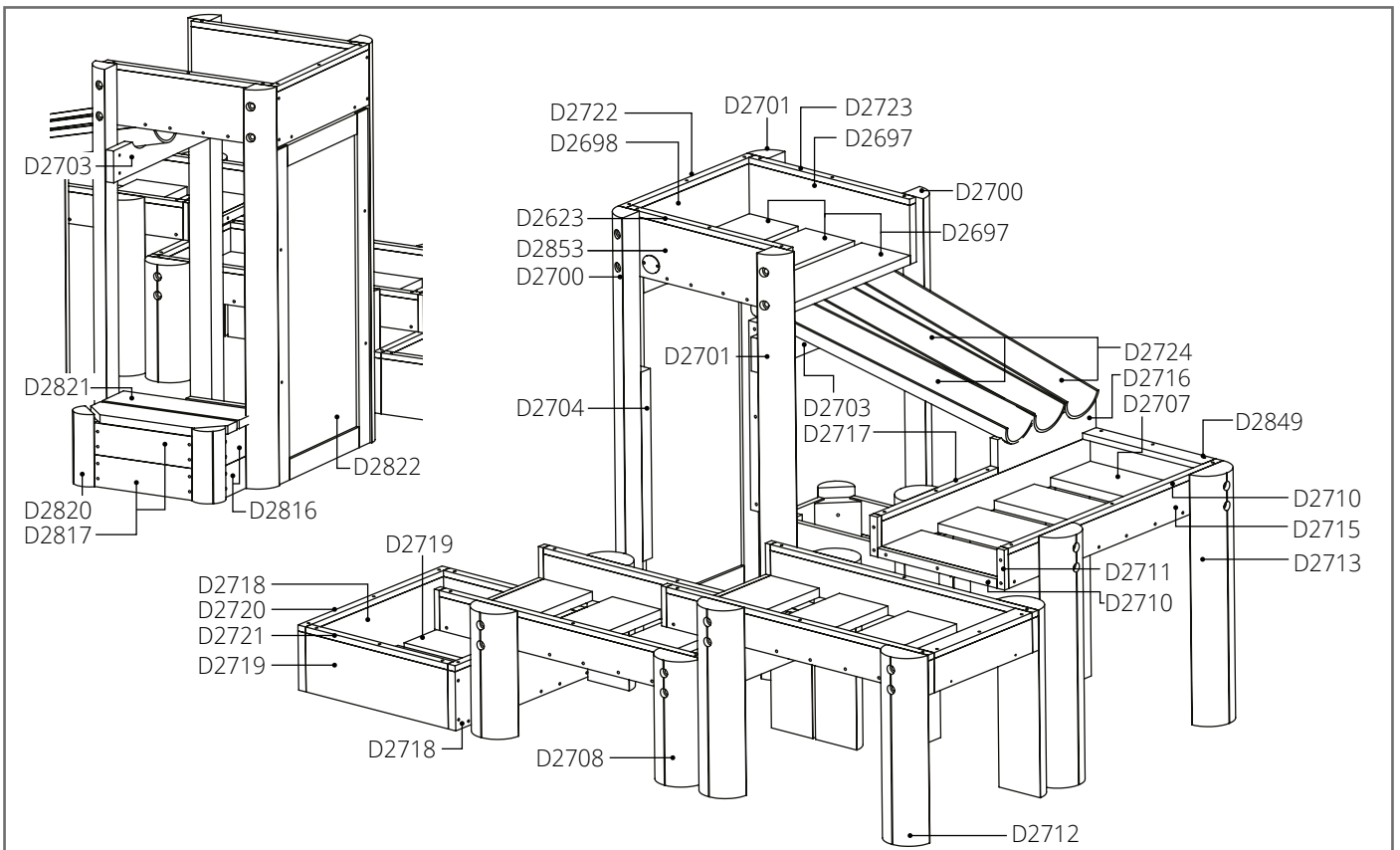
Register online now for your extended warranty!*




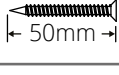







Visit our website at: www.plumplay.co.uk/register
Warranty Number: 27694AA69/27703AA69

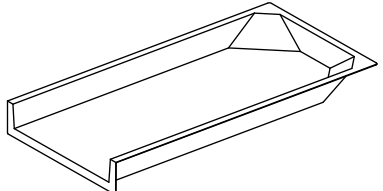
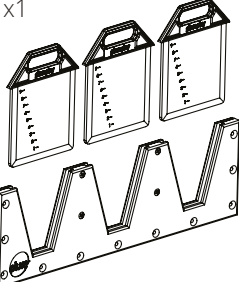
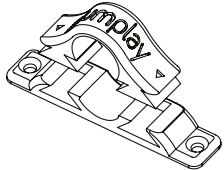
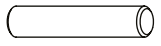
*UK only

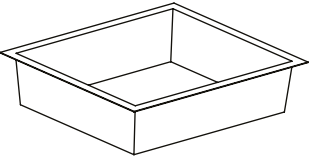
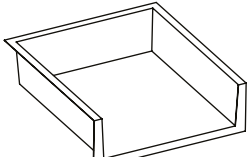




1	D2700	x2	850 x 50 x 50mm	D2707	x12	290 x 118 x 18mm	D2724	x3	600 x 93 x 5mm
	D2701	x2	850 x 50 x 50mm	D2709	x5	635 x 18 x 12mm	D2730	x1	635 x 68 x 18mm
	D2708	x4	250 x 100 x 50mm	D2710	x3	290 x 18 x 12mm	D2731	x2	635 x 68 x 18mm
	D2712	x4	375 x 100 x 50mm	D2711	x6	80 x 18 x 12mm	D2815	x2	301 x 68 x 12mm
	D2713	x4	500 x 100 x 50mm	D2714	x1	290 x 68 x 18mm	D2816	x4	138 x 68 x 12mm
2	D2697	x1	390 x 118 x 18mm	D2715	x1	635 x 68 x 18mm	D2817	x2	231.7 x 68 x 12mm
	D2698	x1	381 x 118 x 18mm	D2716	x1	290 x 68 x 18mm	D2818	x2	113 x 28 x 28mm
	D2699	x3	345 x 118 x 18mm	D2717	x1	145 x 18 x 12mm	D2819	x2	133 x 88 x 28mm
	D2702	x1	405 x 44 x 18mm	D2718	x2	426 x 118 x 18mm	D2820	x2	154 x 70 x 35mm
	D2703	x1	476 x 68 x 18mm	D2719	x5	345 x 118 x 18mm	D2821	x1	322 x 185 x 36mm
	D2704	x2	378 x 28 x 28mm	D2720	x2	426 x 18 x 12mm	D2822	x1	712 x 381 x 18mm
	D2705	x2	635 x 68 x 18mm	D2721	x2	345 x 18 x 12mm	D2849	x3	290 x 40 x 12mm
	D2706	x2	290 x 68 x 18mm	D2722	x1	381 x 18 x 12mm	D2853	x1	390 x 118 x 18mm
				D2723	x2	390 x 18 x 12mm			

M6 x 50		x32	M4 x 50		x10	H261 x1		
M3 x 25		x107	M4 x 60		x2	M6		x32
M3.5 x 40		x121	M4		x1			
			M6		x1			

3		x3	H225 x1		H258 x1		
					H259		x2

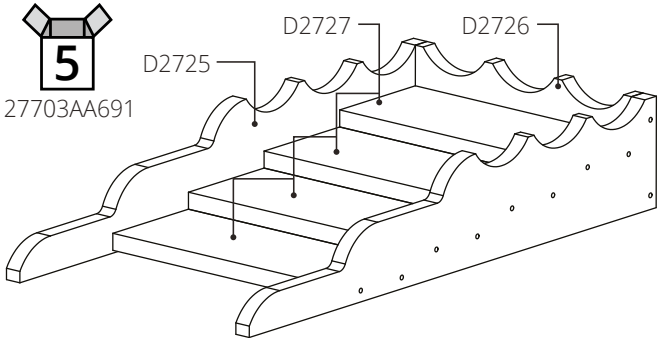
4		x1	H224		x1
---	---	----	------	---	----

D2697		x1	D2717		x1	
D2698		x1	D2718		x2	
D2699		x3	D2719		x5	
D2700		x2	D2720		x2	
D2701		x2	D2721		x2	
D2702		x1	D2722		x1	
D2703		x1	D2723		x2	
D2704		x2				
D2705		x2				
D2706		x2	D2724	x3	D2822	x1
D2707		x12	D2730		x1	
D2708		x4	D2731		x2	
D2709		x5	D2815		x2	
D2710		x3	D2816		x4	
D2711		x6	D2817		x2	
D2712		x4	D2818		x2	
D2713		x4				
D2714		x1				
D2715		x1	D2819	x2	D2821	x1
D2716			D2820		x2	
			D2849		x3	
			D2853		x1	

EN Accessory Kit - 27703AA69 - Optional Extra

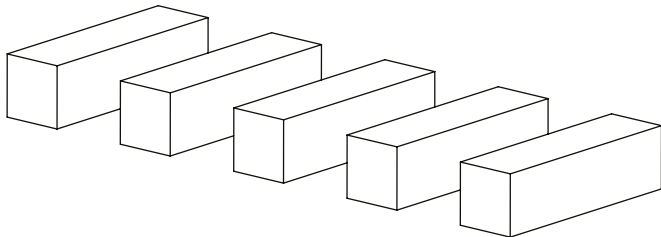
FR Ensemble d'accessoires - 27703AA69 - Supplément facultatif

ES Kit de accesorios - 27703AA69 - Opcional extra

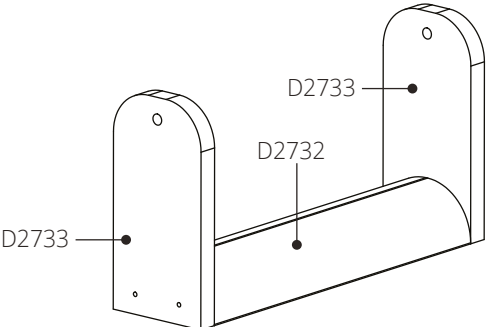


27703AA691


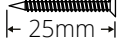
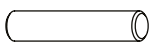
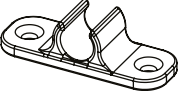
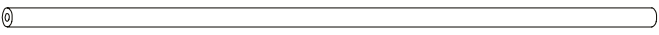
D2725	x2	635 x 118 x 18mm
D2726	x1	290 x 118 x 18mm
D2727	x4	290 x 118 x 18mm



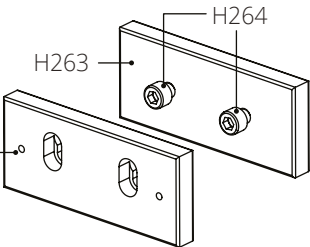
D2728	x5	155 x 44 x 44mm
-------	----	-----------------

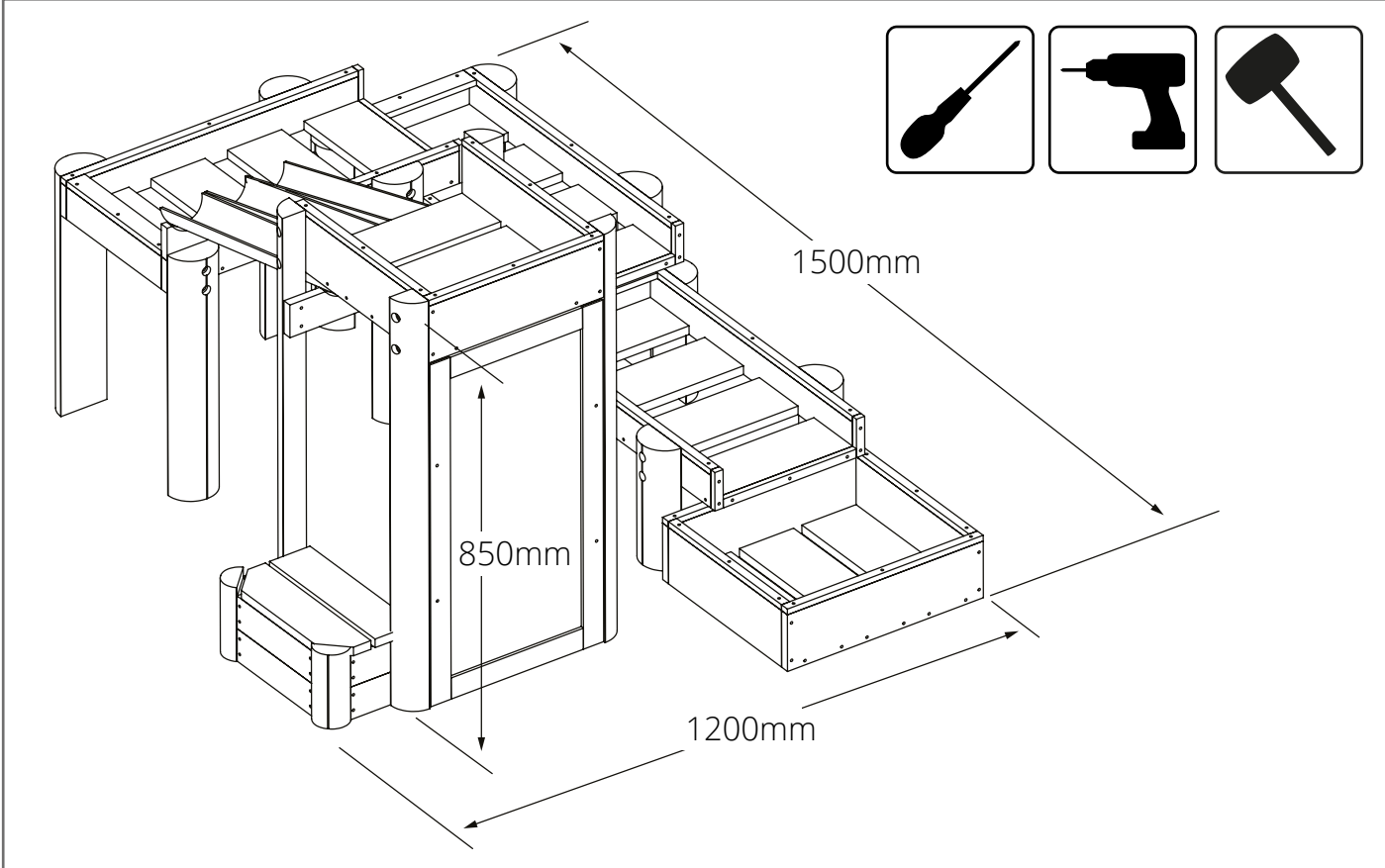





D2732	x1	340 x 100 x 50mm
D2733	x2	200 x 100 x 18mm

M3.5 x 40		40mm	x24
M3 x 25		25mm	x10
H259			x4
H255			x2
H254			x1

H265

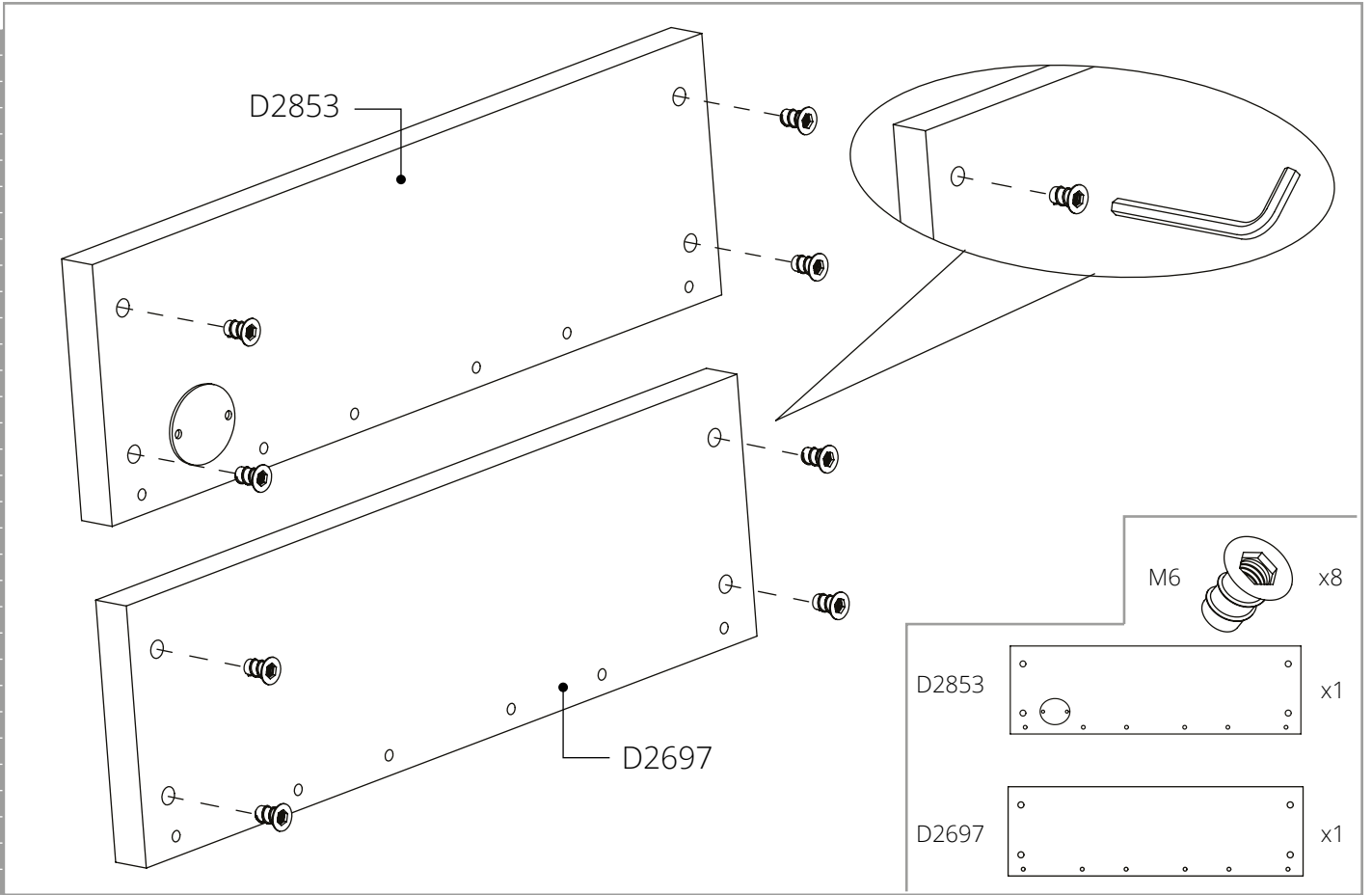




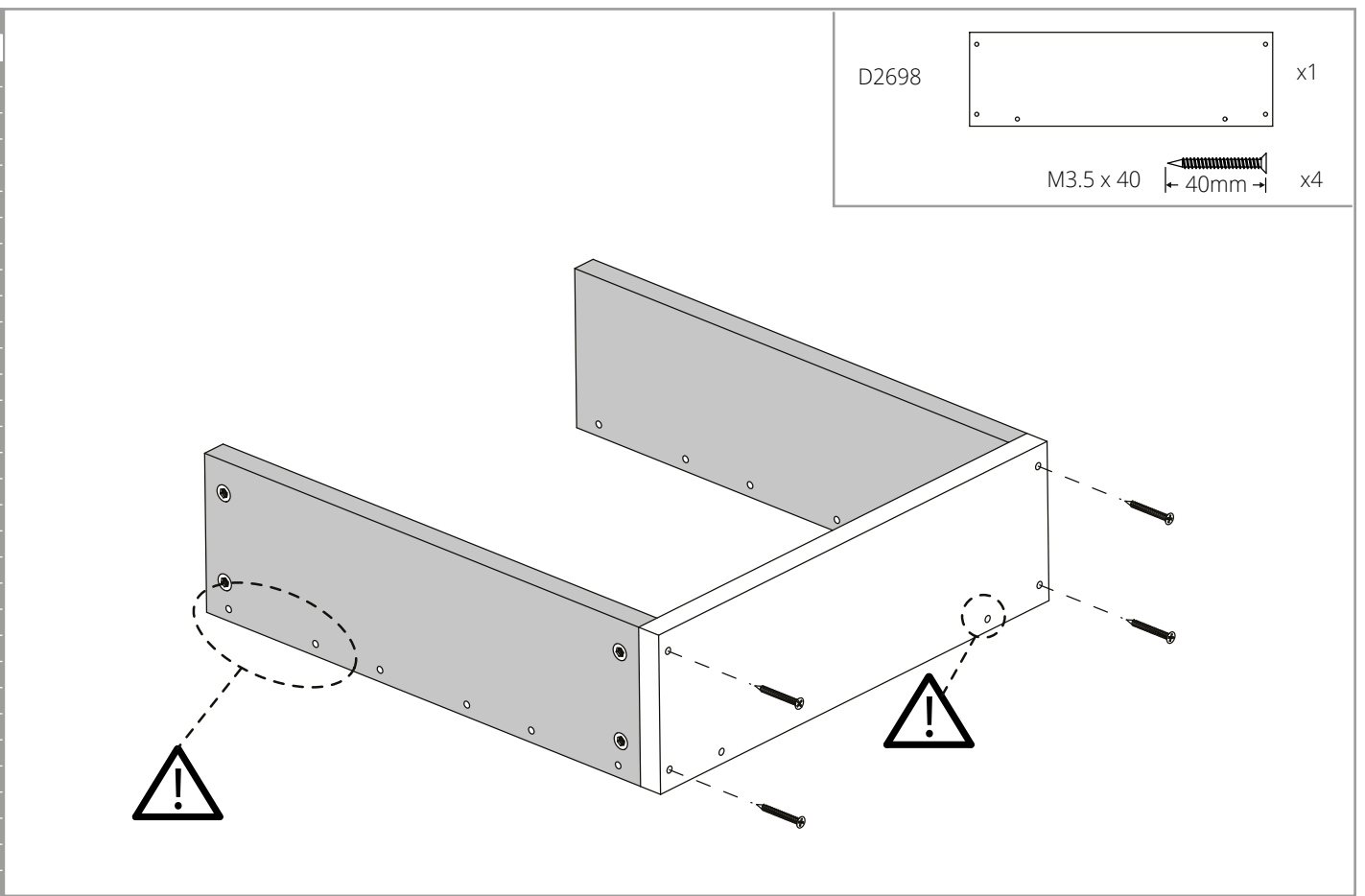




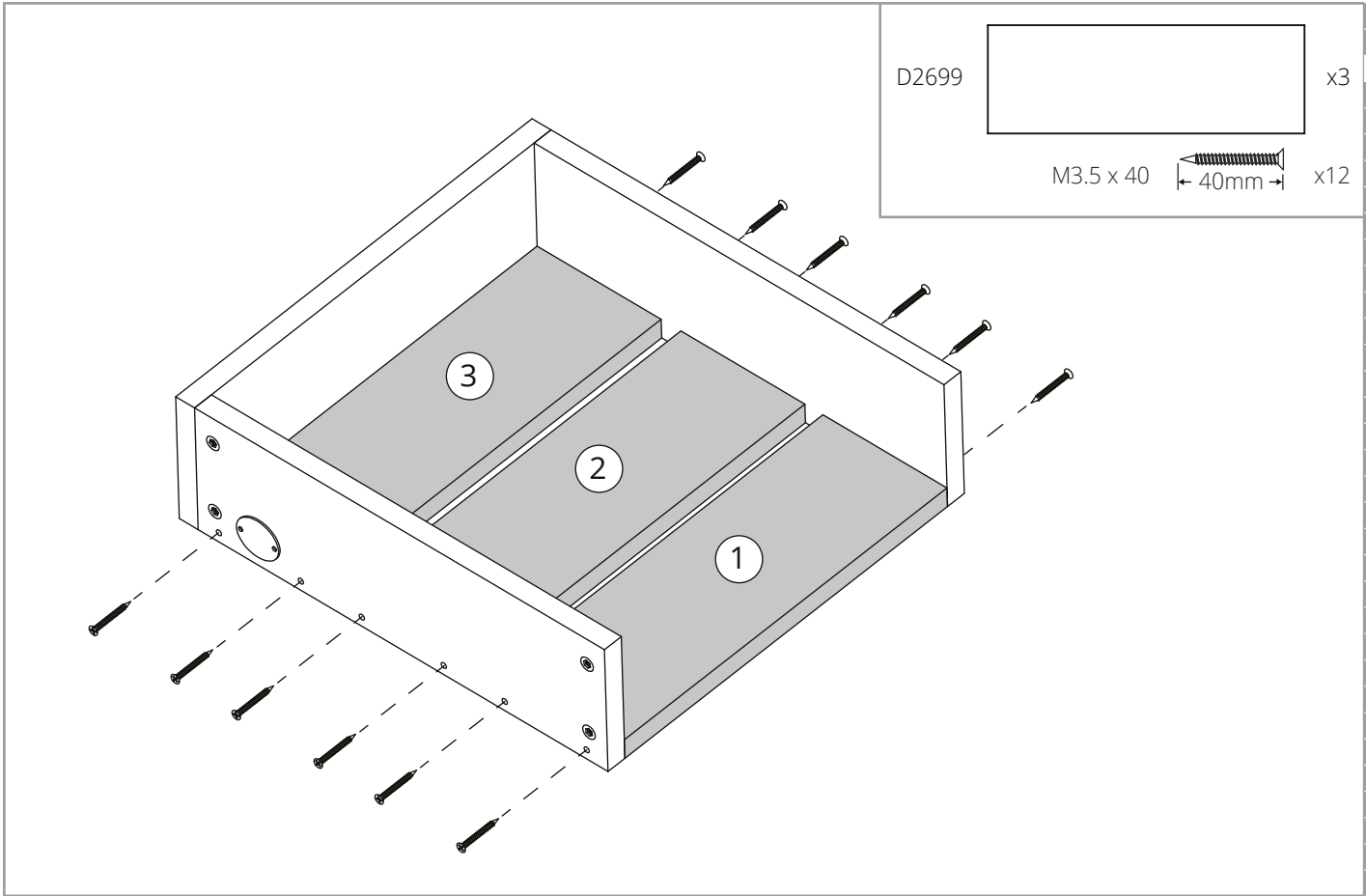


1
2
3
4
5
6
7
8
9
10
11
12
13
14
15
16
17
18
19
20
21
22
23
24
25
26
27
28
29
30
31
32
33
34

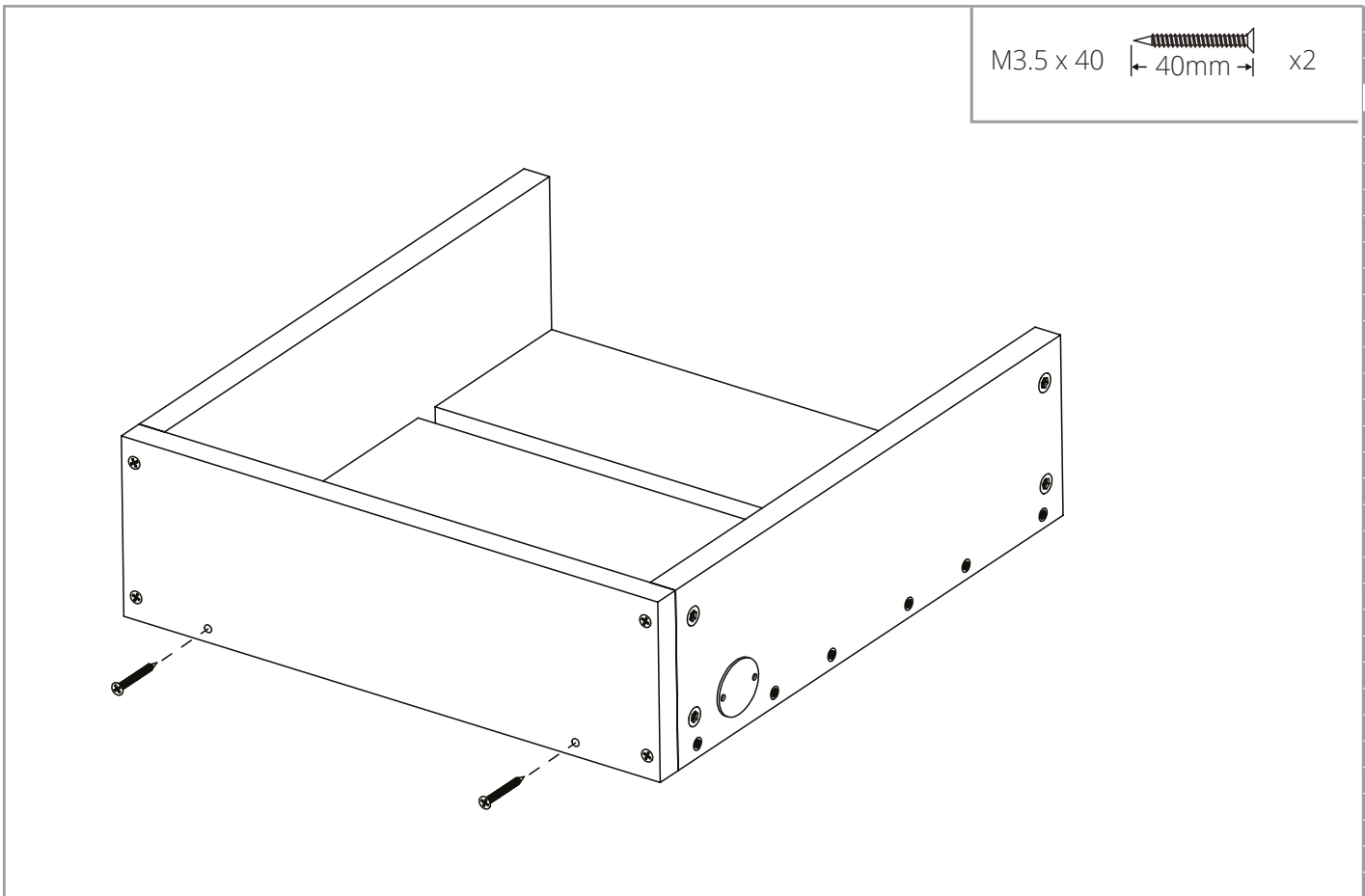


1
2
3
4
5
6
7
8
9
10
11
12
13
14
15
16
17
18
19
20
21
22
23
24
25
26
27
28
29
30
31
32
33
34



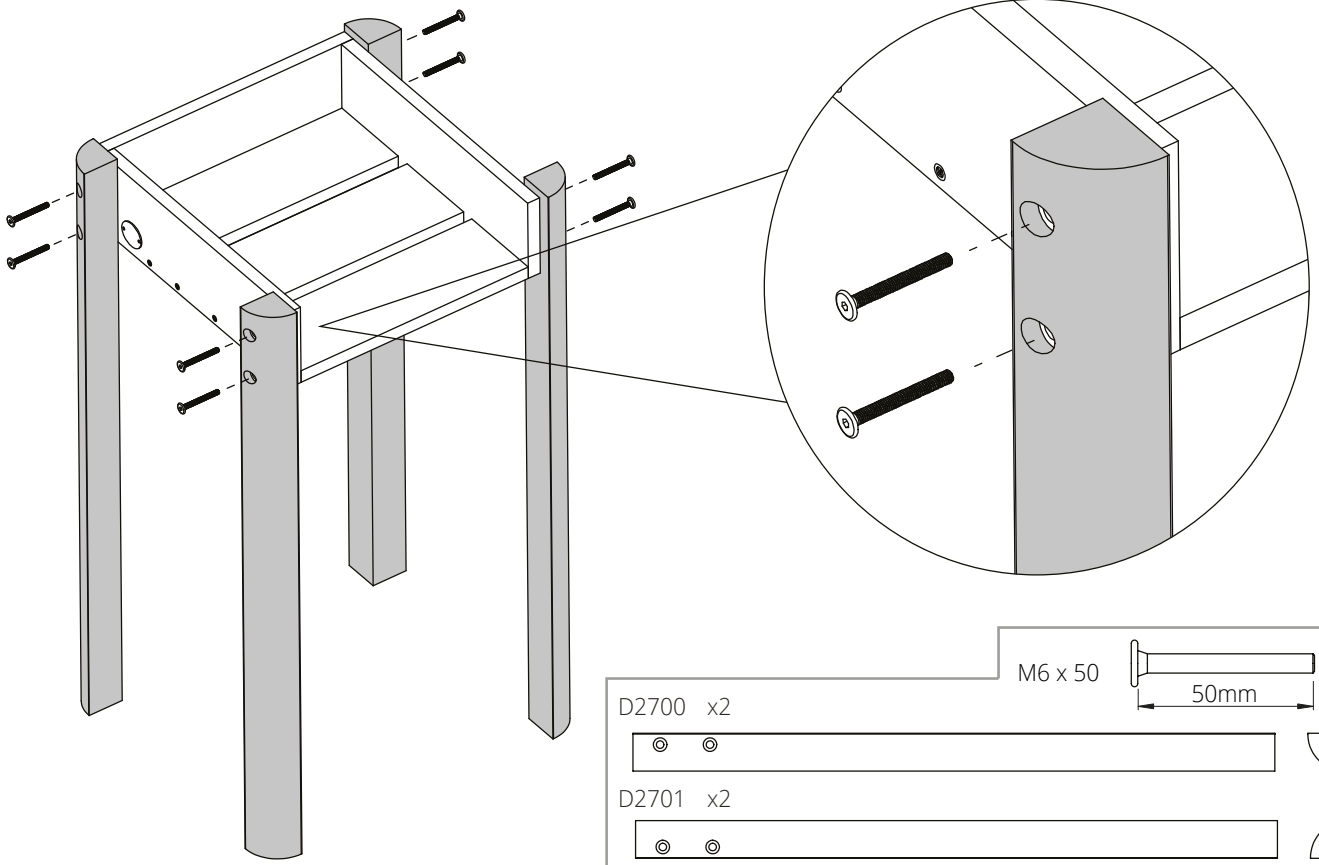


1
2
3
4
5
6
7
8
9
10
11
12
13
14
15
16
17
18
19
20
21
22
23
24
25
26
27
28
29
30
31
32
33
34

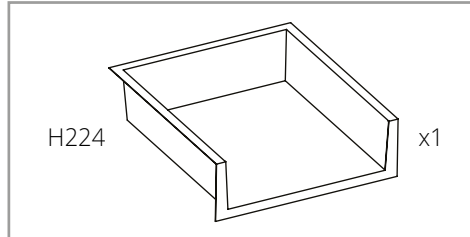
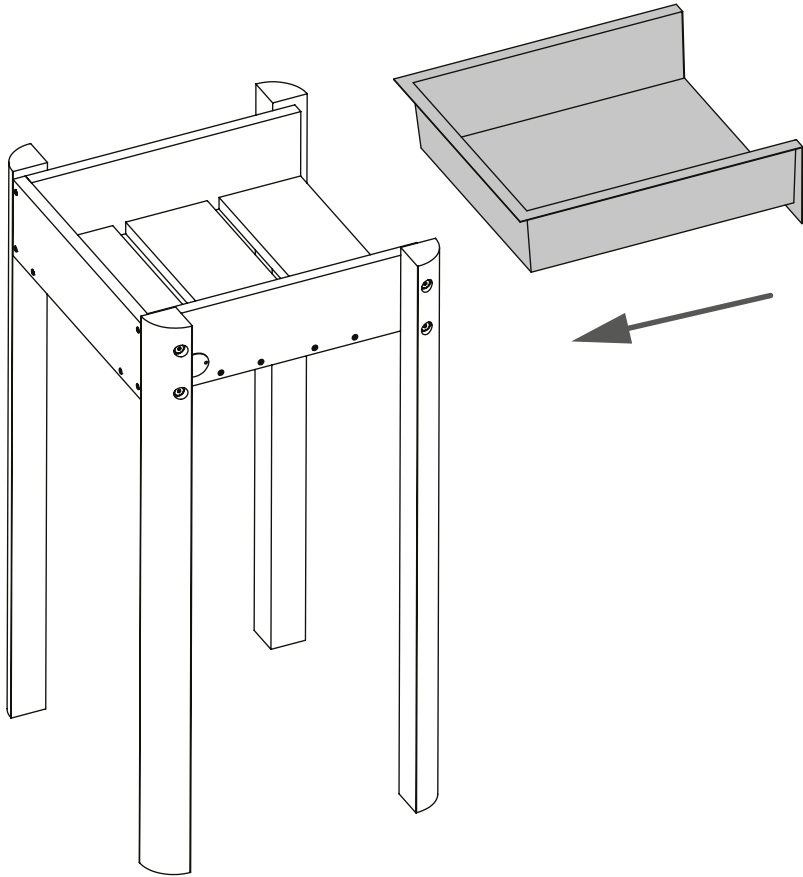


1
2
3
4
5
6
7
8
9
10
11
12
13
14
15
16
17
18
19
20
21
22
23
24
25
26
27
28
29
30
31
32
33
34

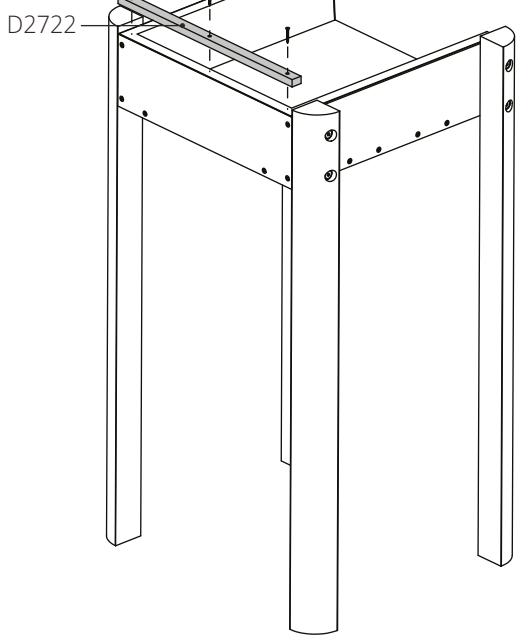
1
2
3
4
5
6
7
8
9
10
11
12
13
14
15
16
17
18
19
20
21
22
23
24
25
26
27
28
29
30
31
32
33
34



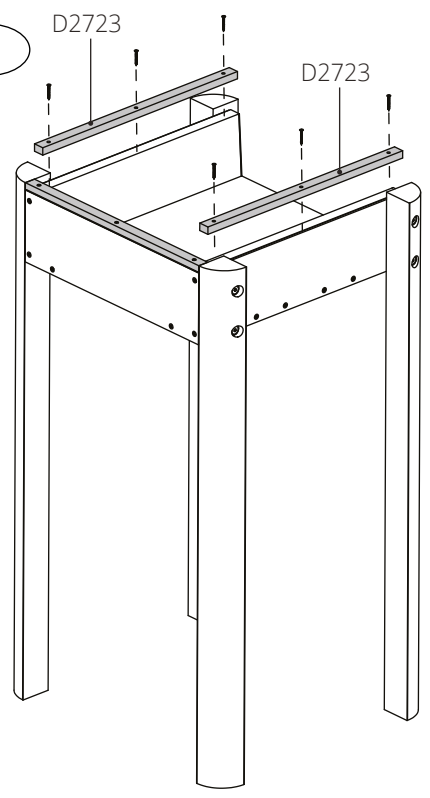
1
2
3
4
5
6
7
8
9
10
11
12
13
14
15
16
17
18
19
20
21
22
23
24
25
26
27
28
29
30
31
32
33
34

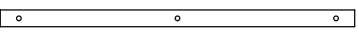
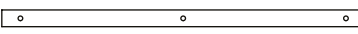



1

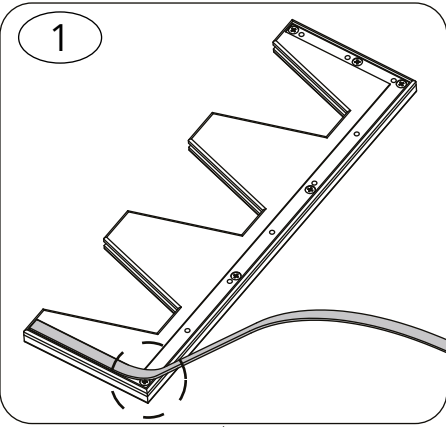


2

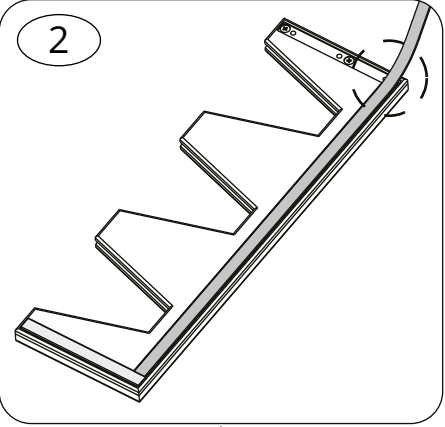


D2722  x1 D2723  x2 M3 x 25  25mm x9

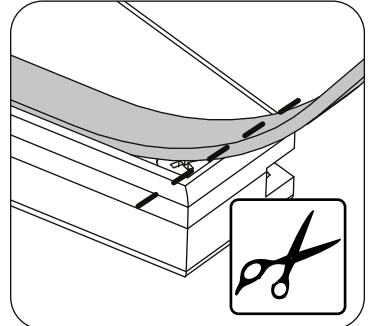
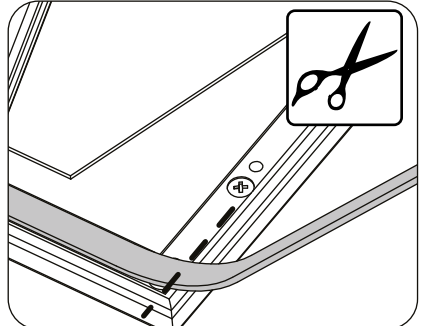
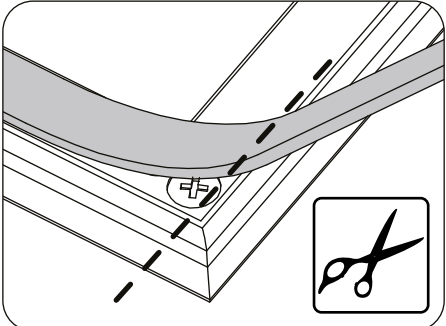
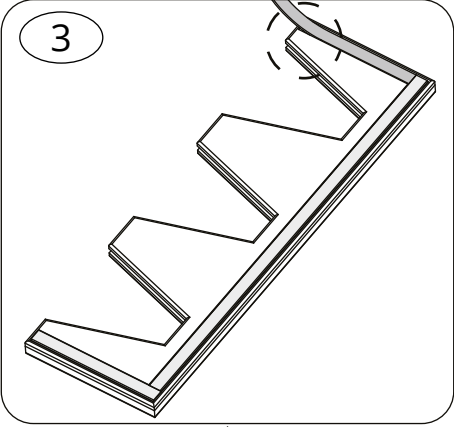
1




2



3

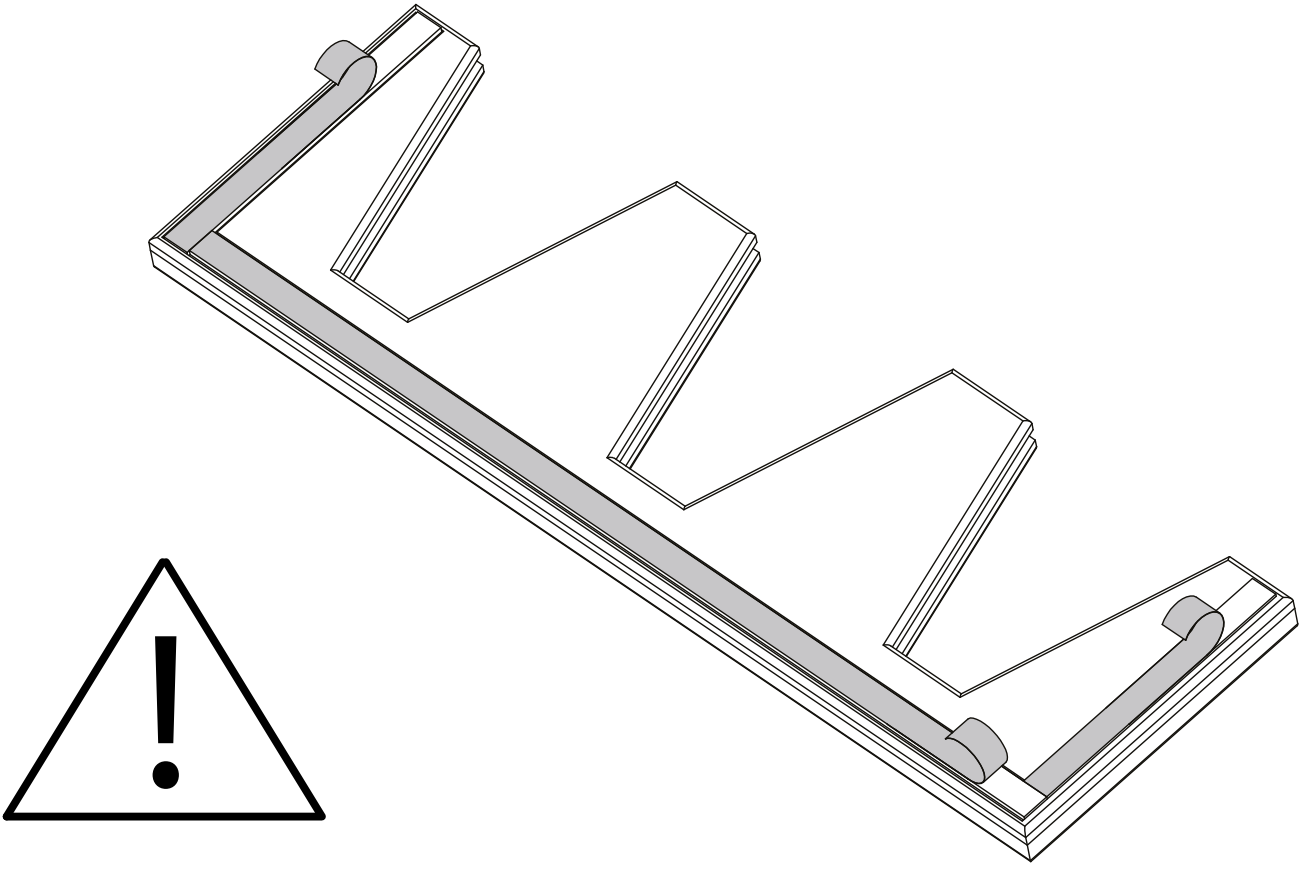


H261 x1


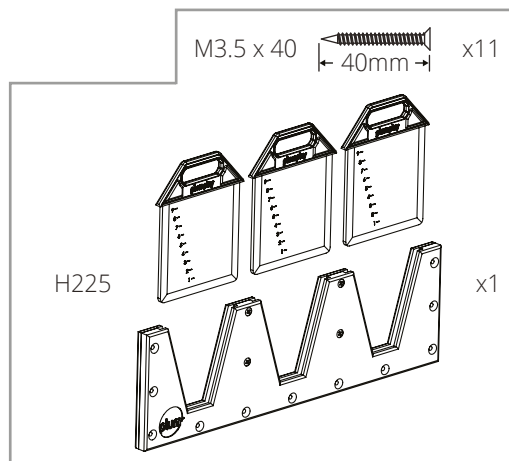
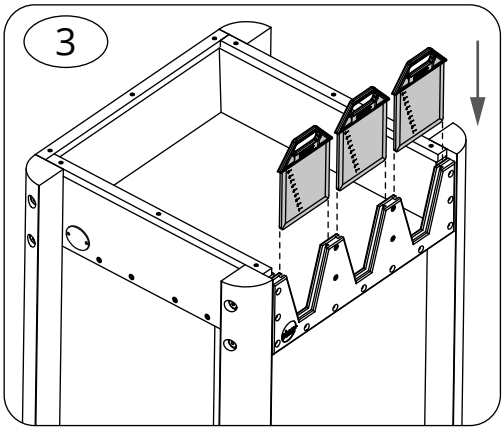
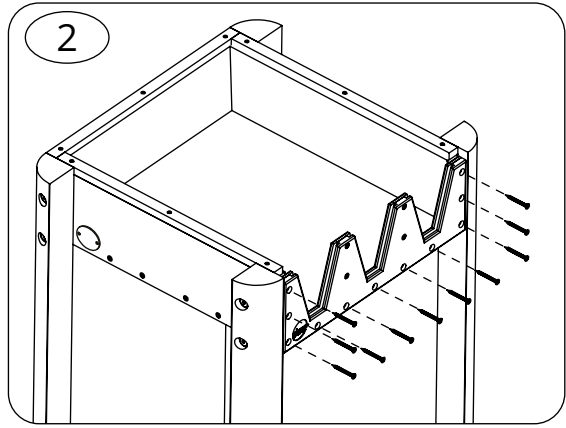
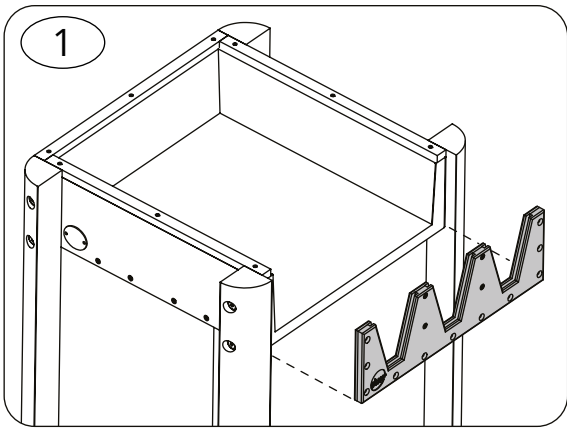
1
2
3
4
5
6
7
8
9
10
11
12
13
14
15
16
17
18
19
20
21
22
23
24
25
26
27
28
29
30
31
32
33
34

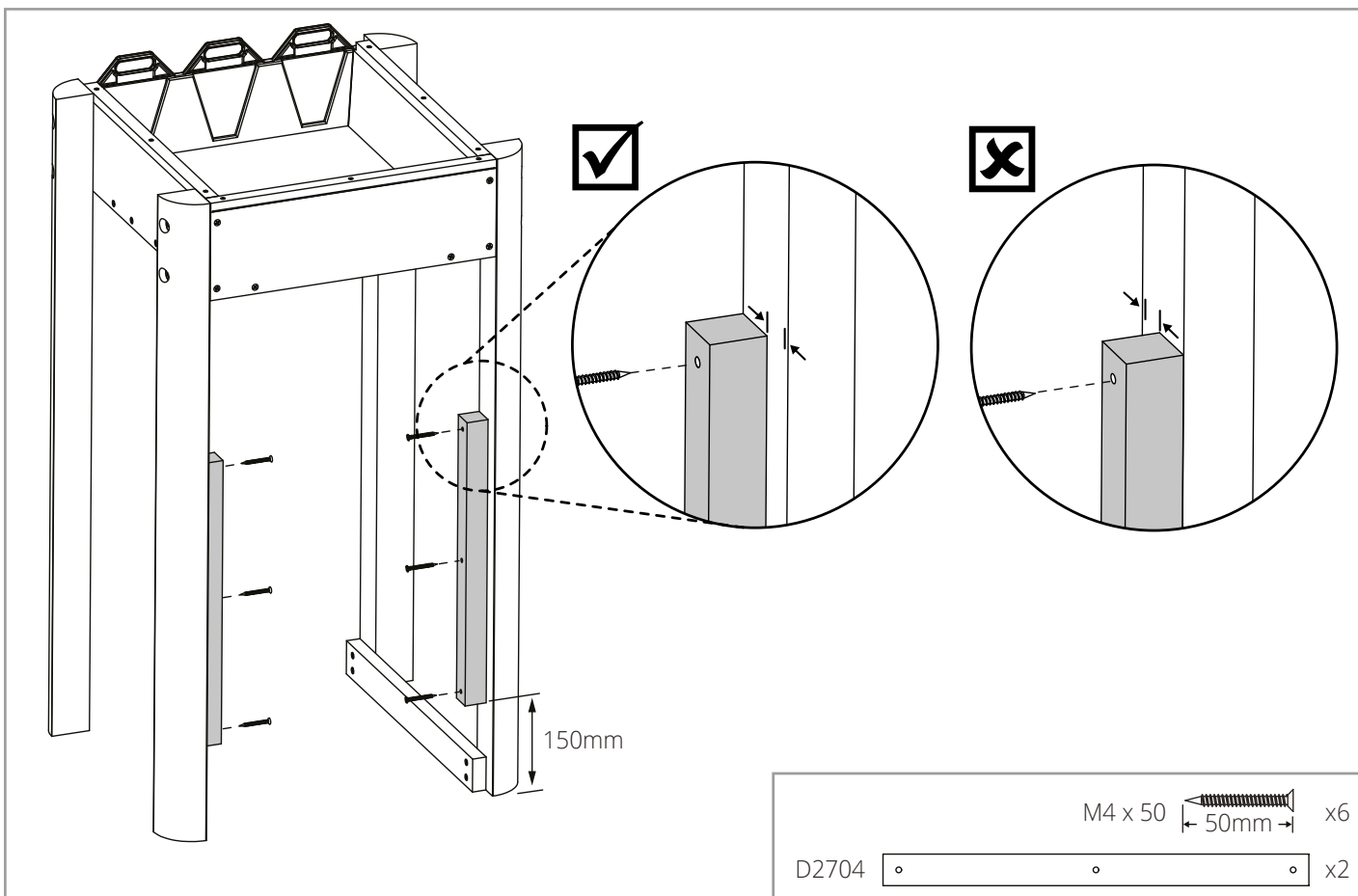
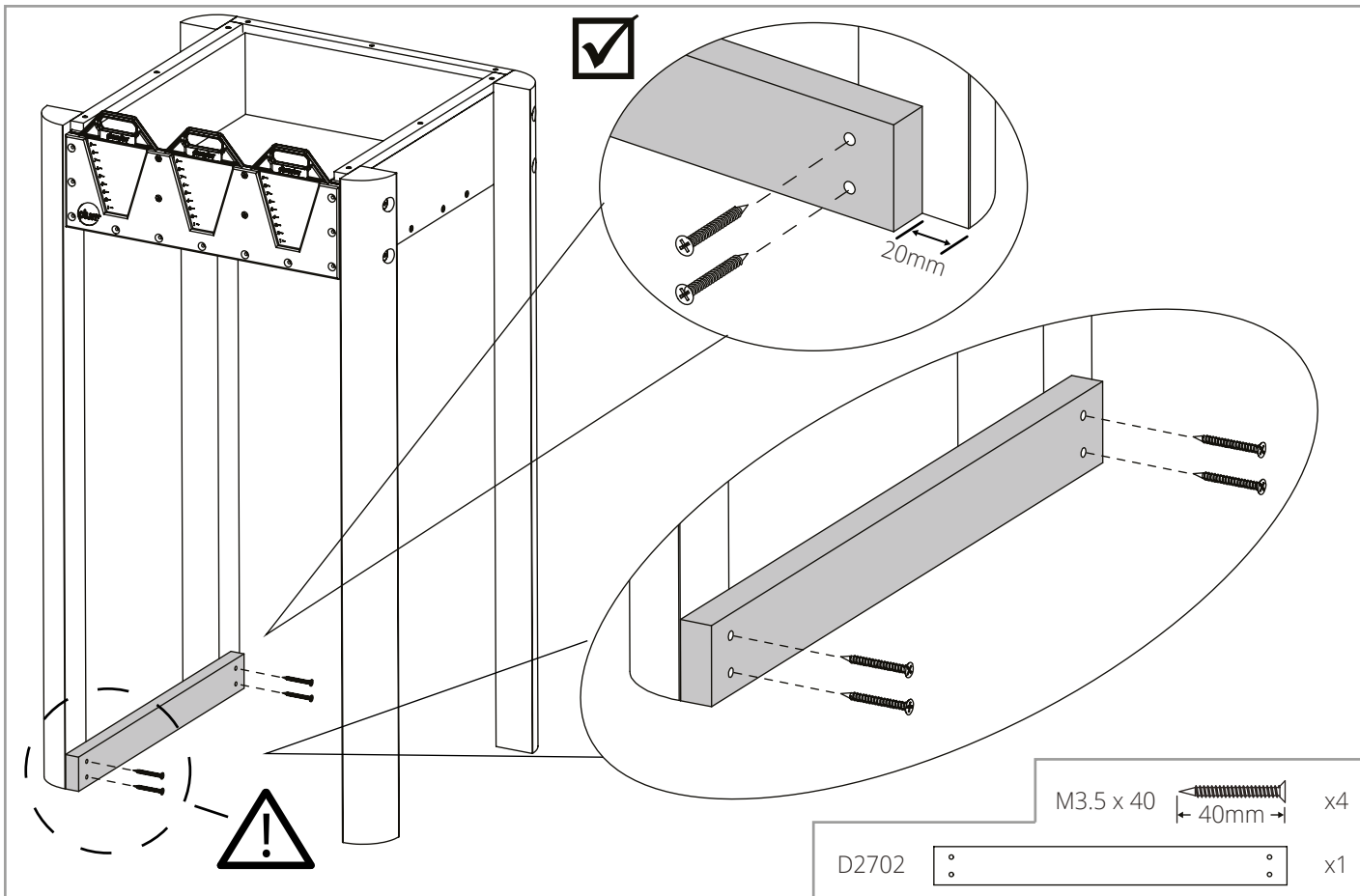
1
2
3
4
5
6
7
8
9
10
11
12
13
14
15
16
17
18
19
20
21
22
23
24
25
26
27
28
29
30
31
32
33
34

1
2
3
4
5
6
7
8
9
10
11
12
13
14
15
16
17
18
19
20
21
22
23
24
25
26
27
28
29
30
31
32
33
34



1
2
3
4
5
6
7
8
9
10
11
12
13
14
15
16
17
18
19
20
21
22
23
24
25
26
27
28
29
30
31
32
33
34

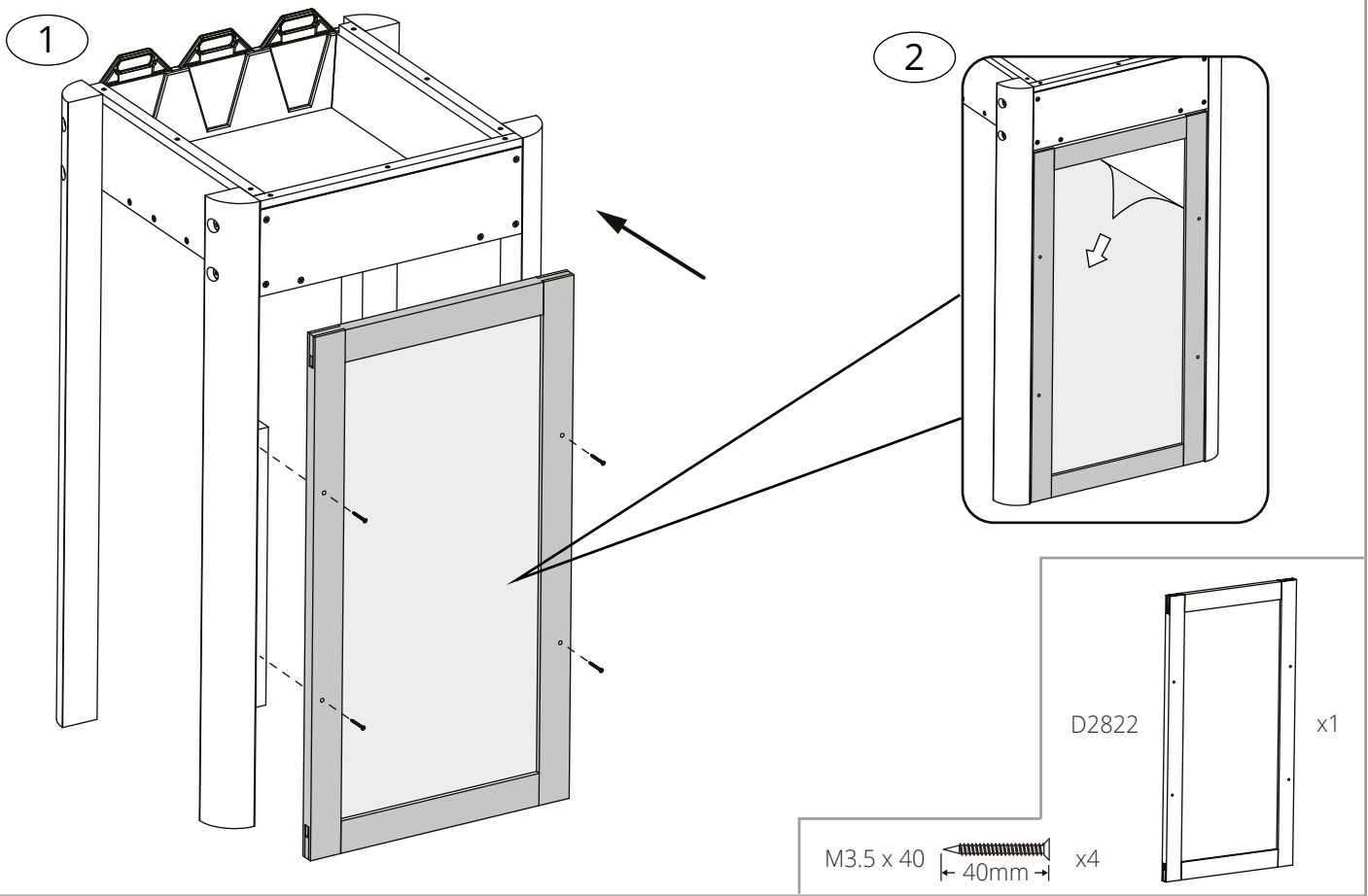




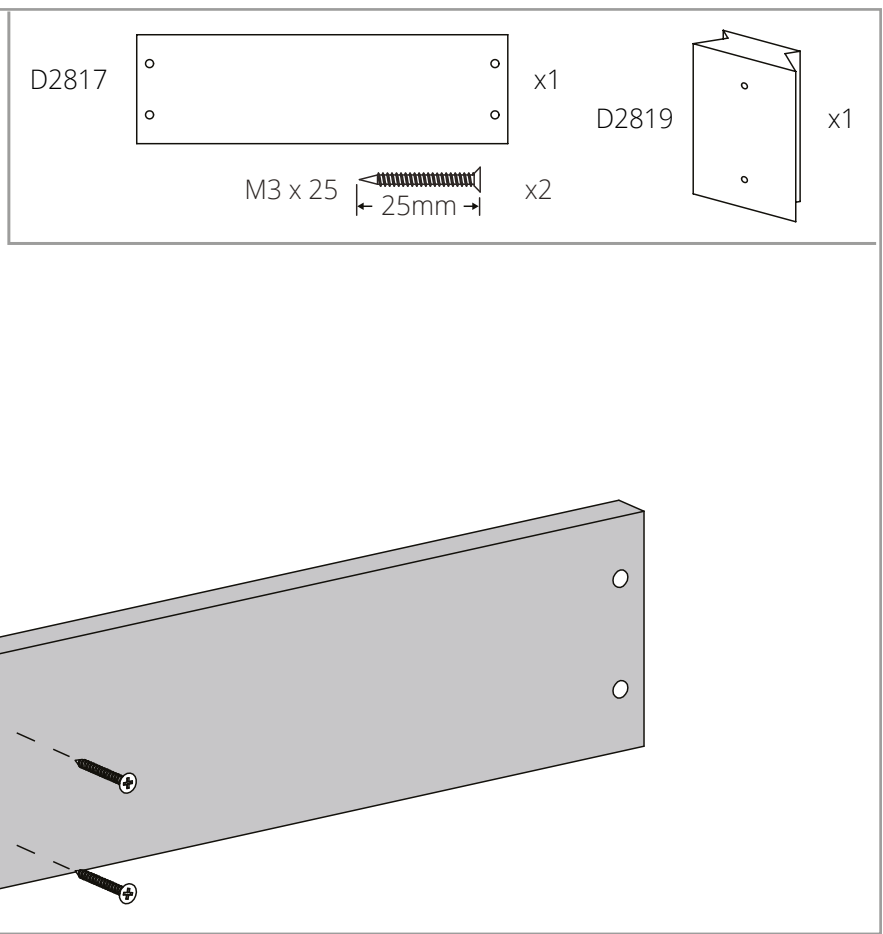
1
2
3
4
5
6
7
8
9
10
11
12
13
14
15
16
17
18
19
20
21
22
23
24
25
26
27
28
29
30
31
32
33
34

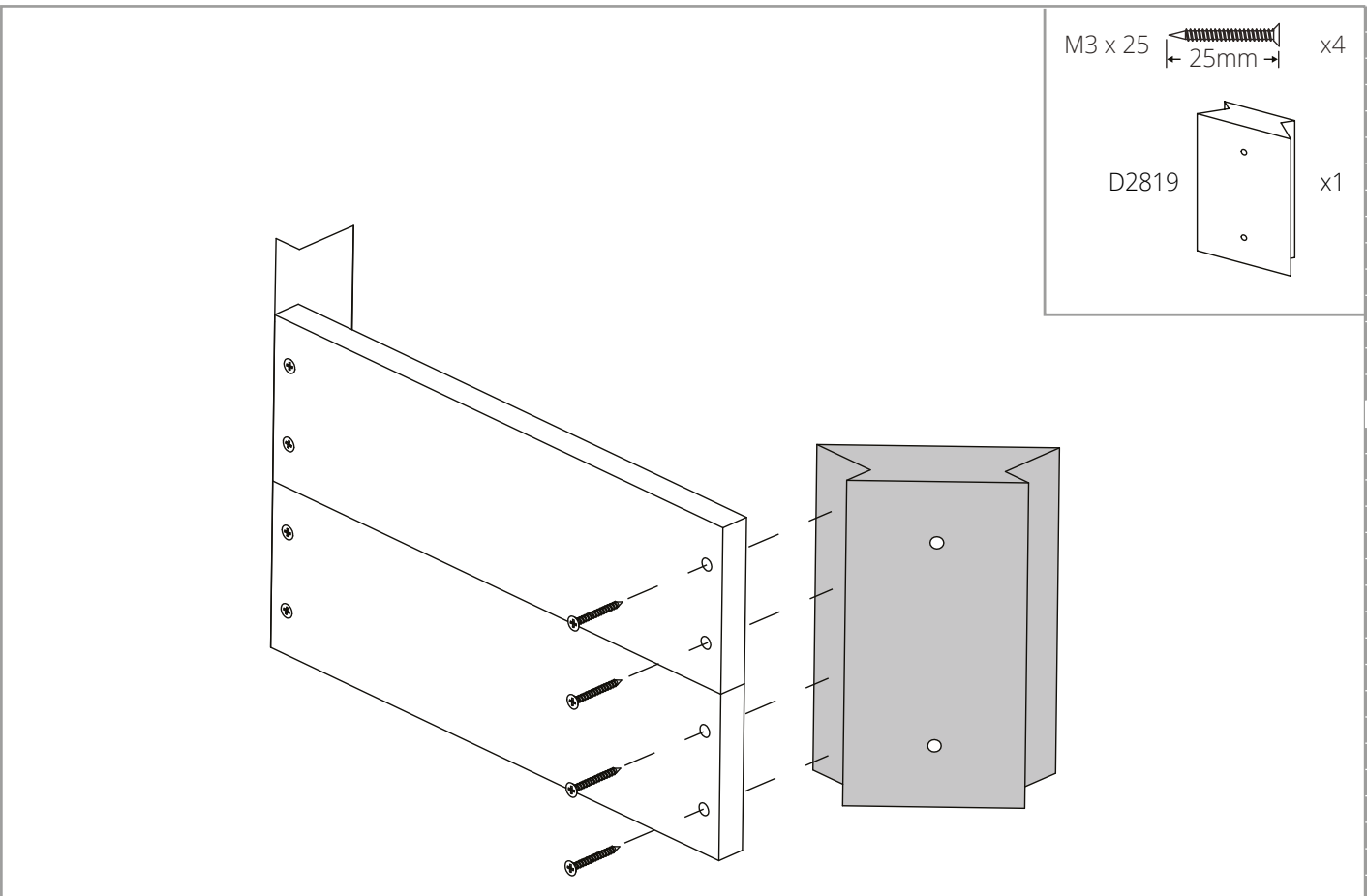
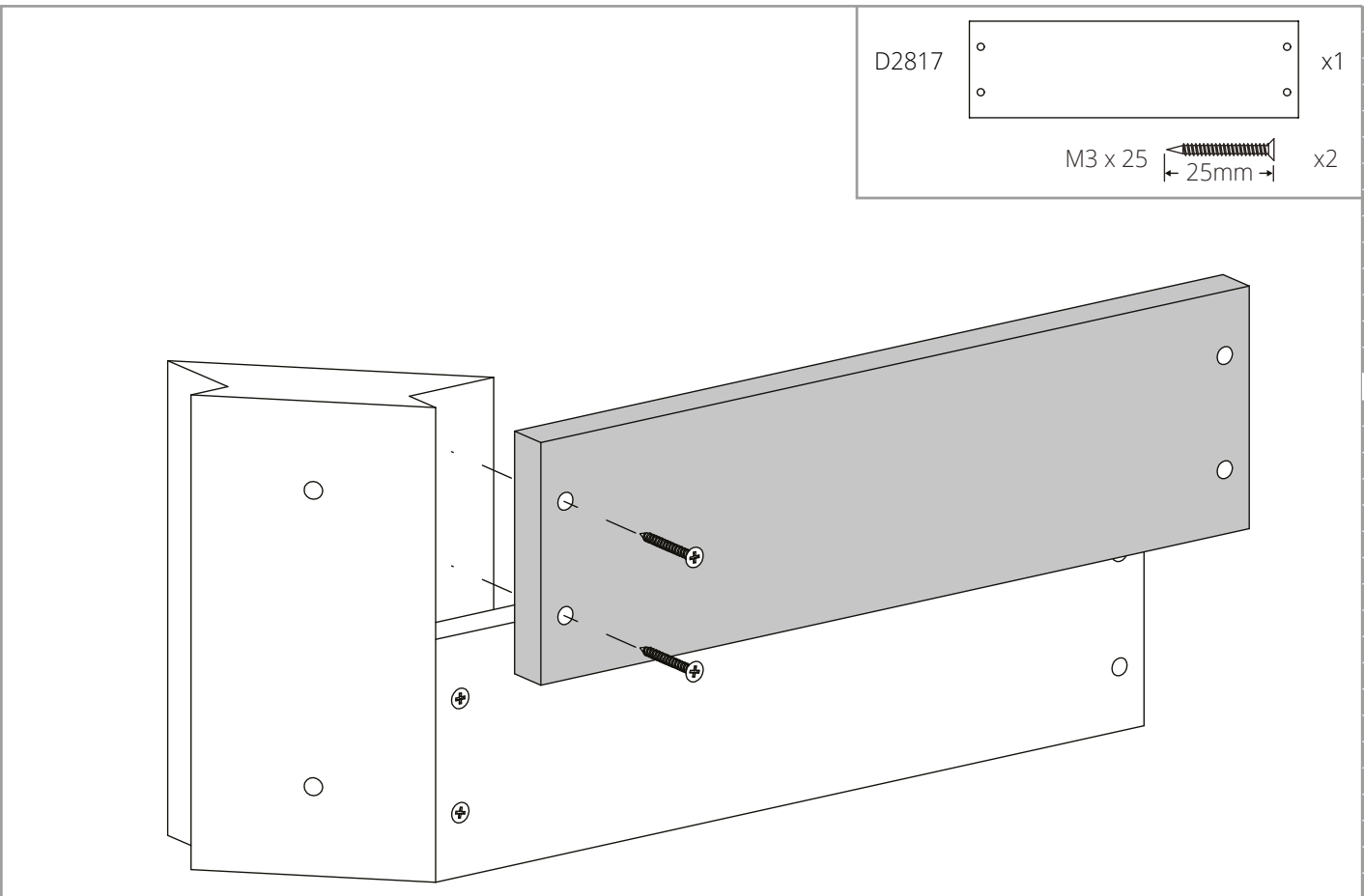
1
2
3
4
5
6
7
8
9
10
11
12
13
14
15
16
17
18
19
20
21
22
23
24
25
26
27
28
29
30
31
32
33
34

1
2
3
4
5
6
7
8
9
10
11
12
13
14
15
16
17
18
19
20
21
22
23
24
25
26
27
28
29
30
31
32
33
34



1
2
3
4
5
6
7
8
9
10
11
12
13
14
15
16
17
18
19
20
21
22
23
24
25
26
27
28
29
30
31
32
33
34

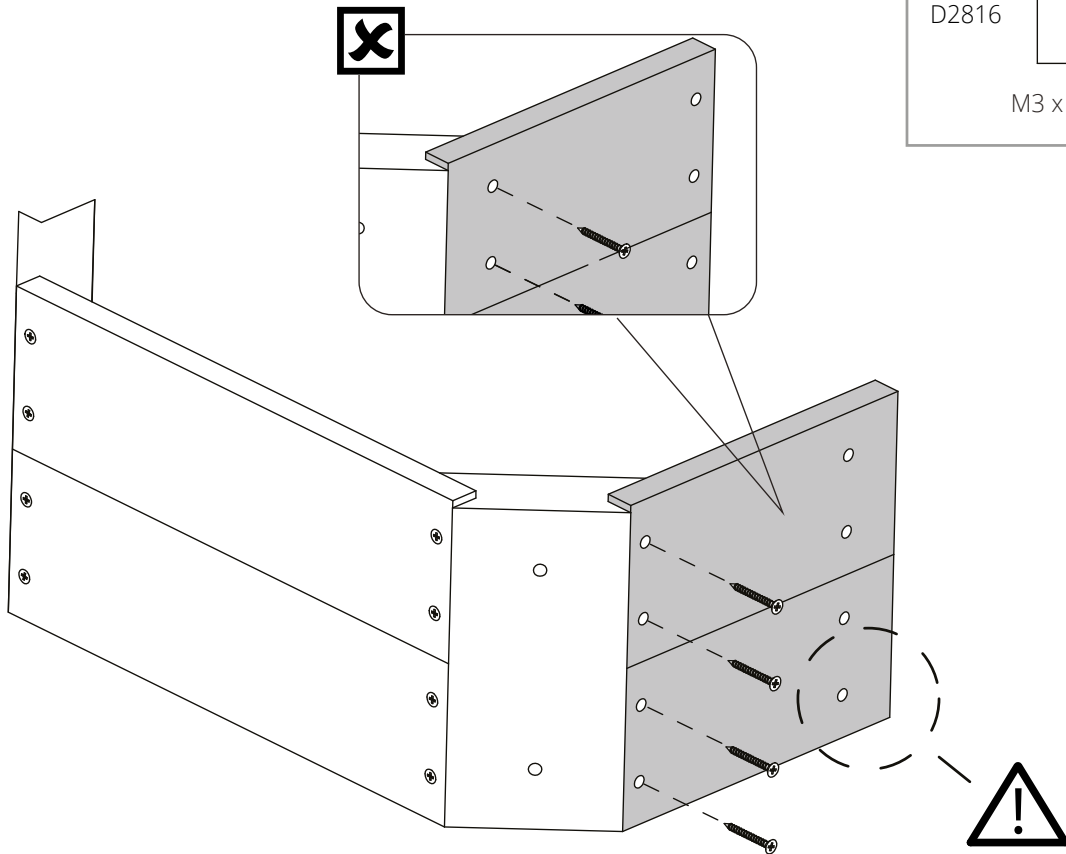




1
2
3
4
5
6
7
8
9
10
11
12
13
14
15
16
17
18
19
20
21
22
23
24
25
26
27
28
29
30
31
32
33
34

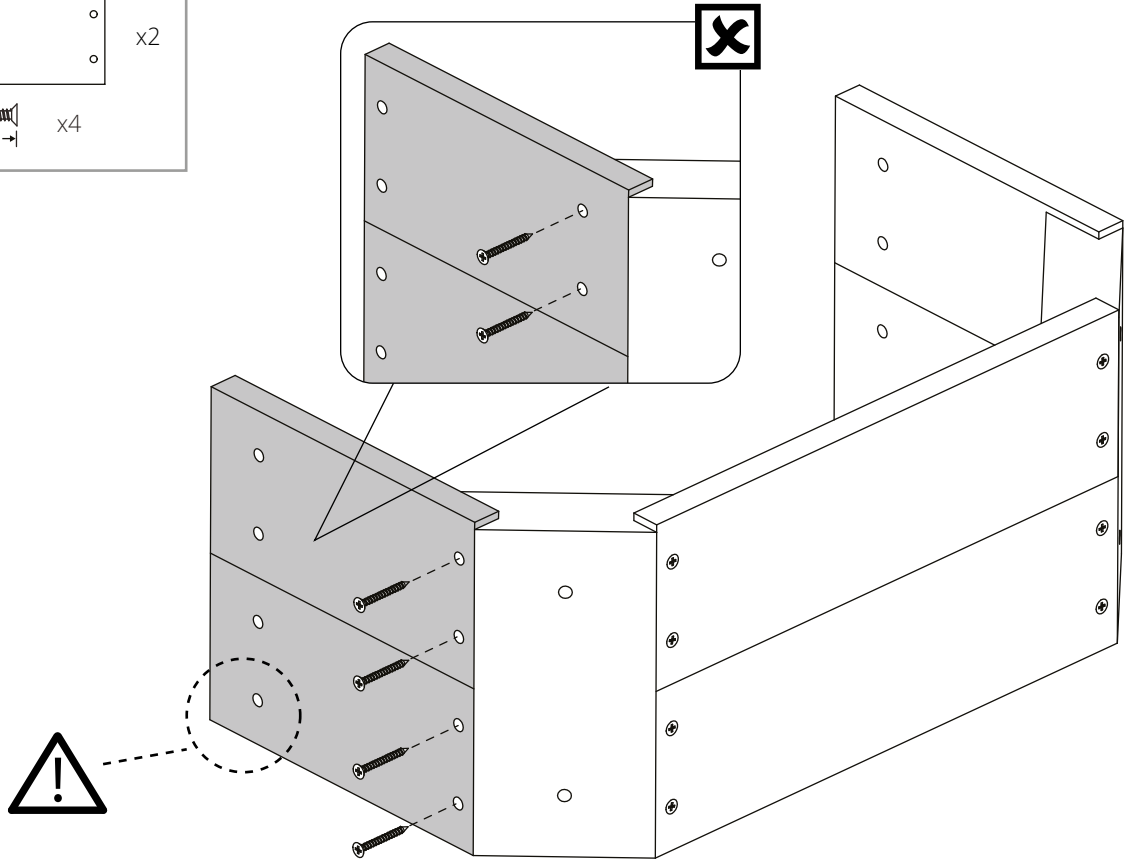
1
2
3
4
5
6
7
8
9
10
11
12
13
14
15
16
17
18
19
20
21
22
23
24
25
26
27
28
29
30
31
32
33
34

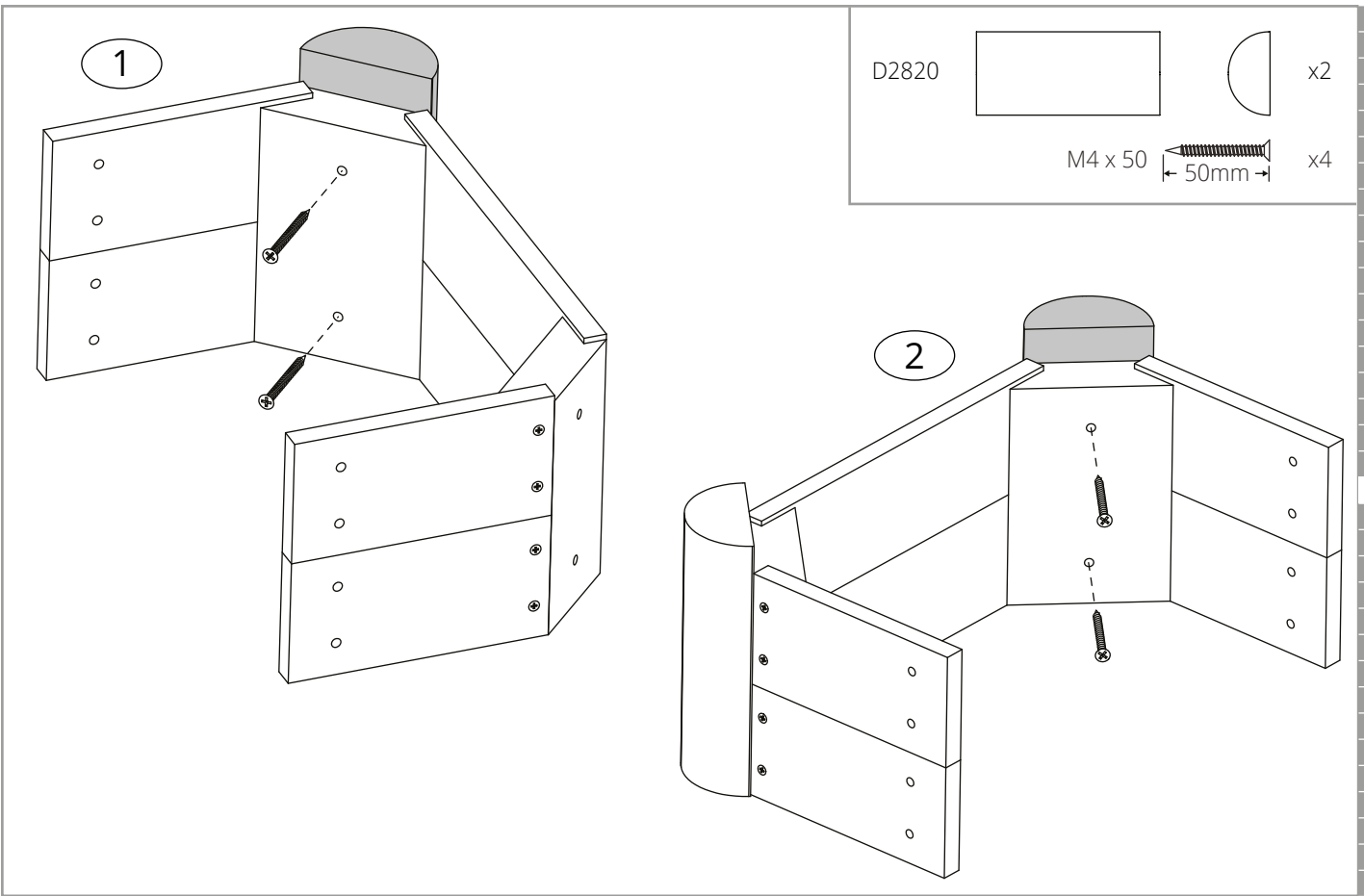
1
2
3
4
5
6
7
8
9
10
11
12
13
14
15
16
17
18
19
20
21
22
23
24
25
26
27
28
29
30
31
32
33
34



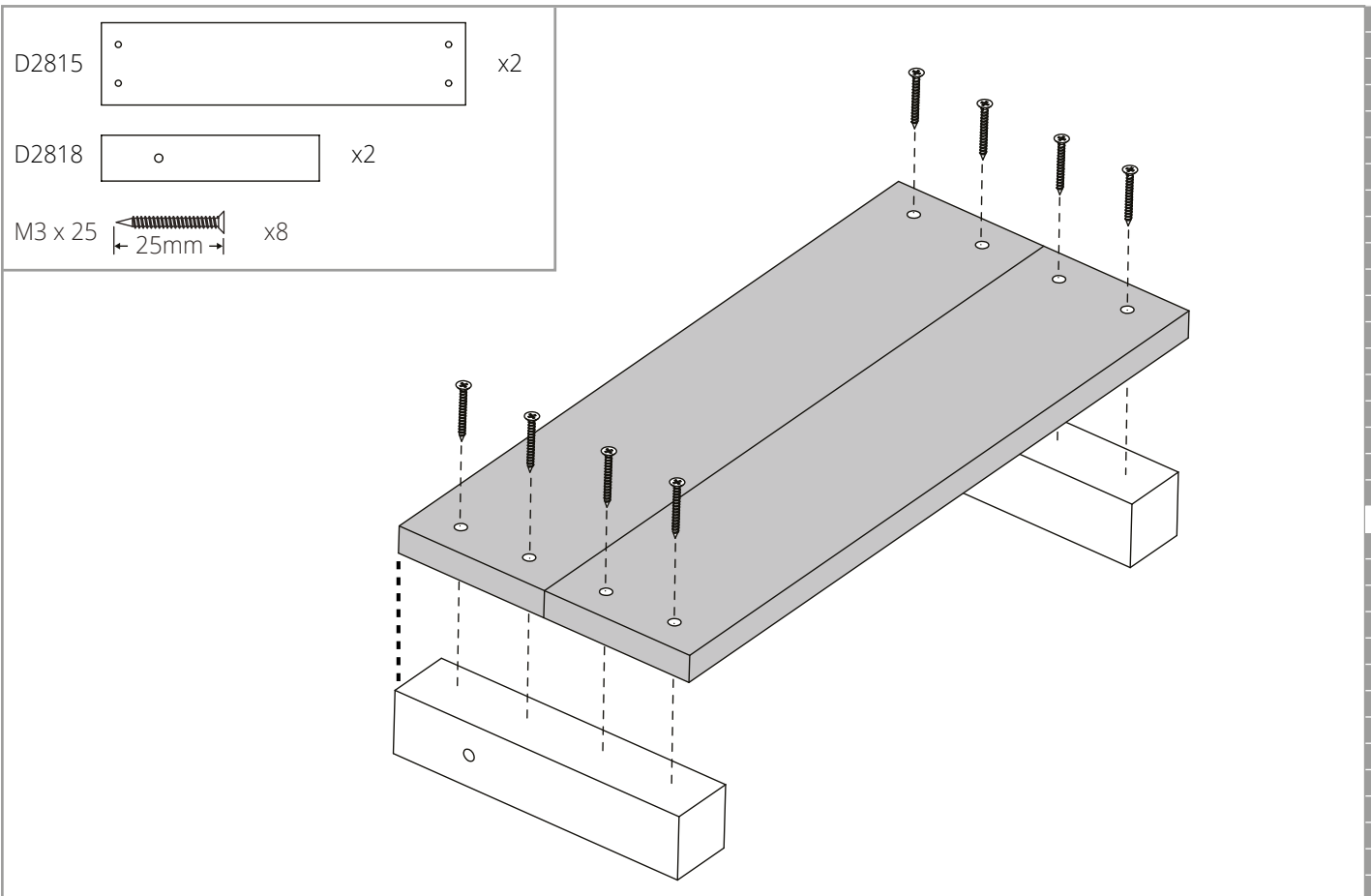
1
2
3
4
5
6
7
8
9
10
11
12
13
14
15
16
17
18
19
20
21
22
23
24
25
26
27
28
29
30
31
32
33
34

D2816 x2
M3 x 25 25mm x4





1
2
3
4
5
6
7
8
9
10
11
12
13
14
15
16
17
18
19
20
21
22
23
24
25
26
27
28
29
30
31
32
33
34

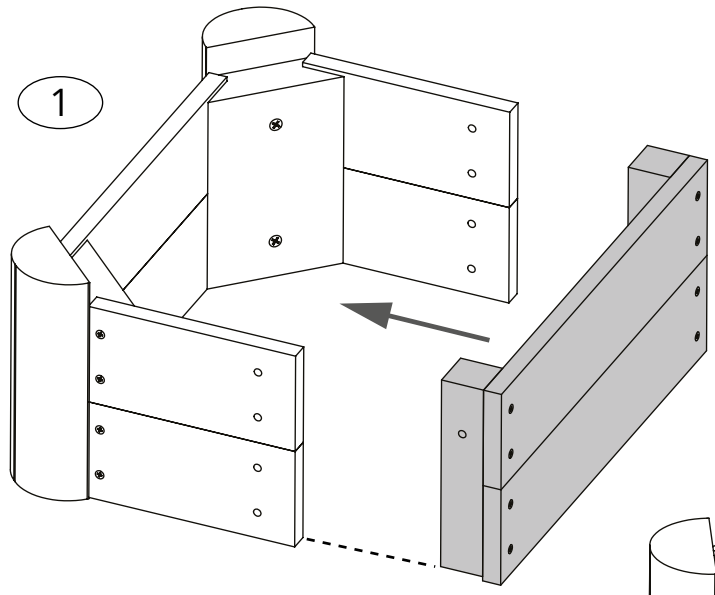


1
2
3
4
5
6
7
8
9
10
11
12
13
14
15
16
17
18
19
20
21
22
23
24
25
26
27
28
29
30
31
32
33
34

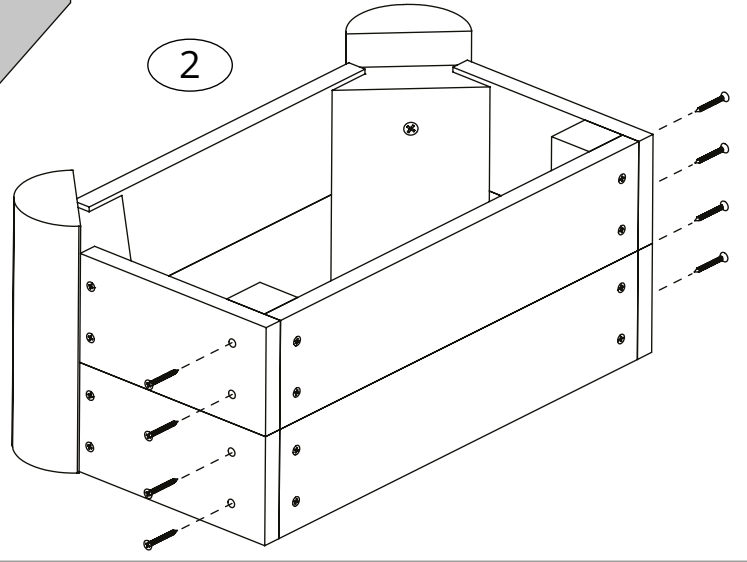
1
2
3
4
5
6
7
8
9
10
11
12
13
14
15
16
17
18
19
20
21
22
23
24
25
26
27
28
29
30
31
32
33
34

M3 x 25  x8


1

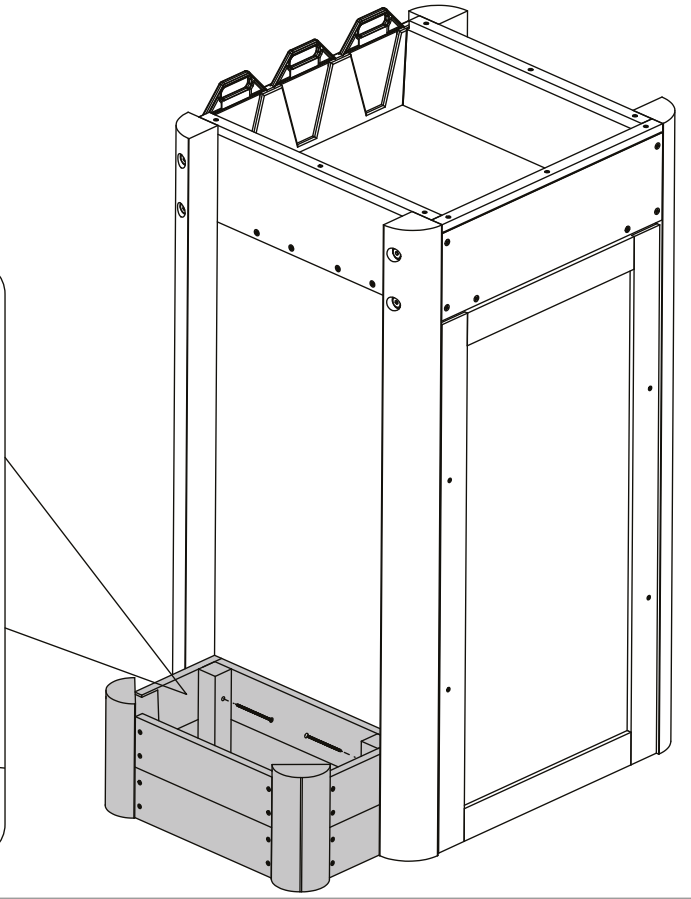
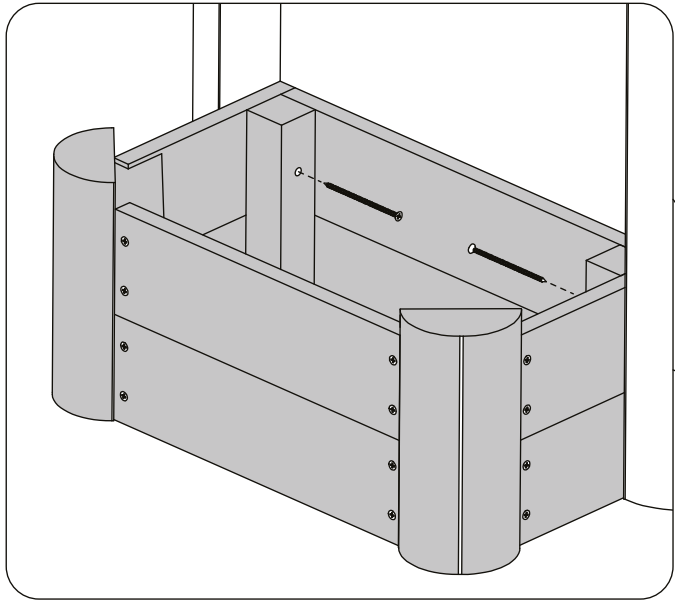


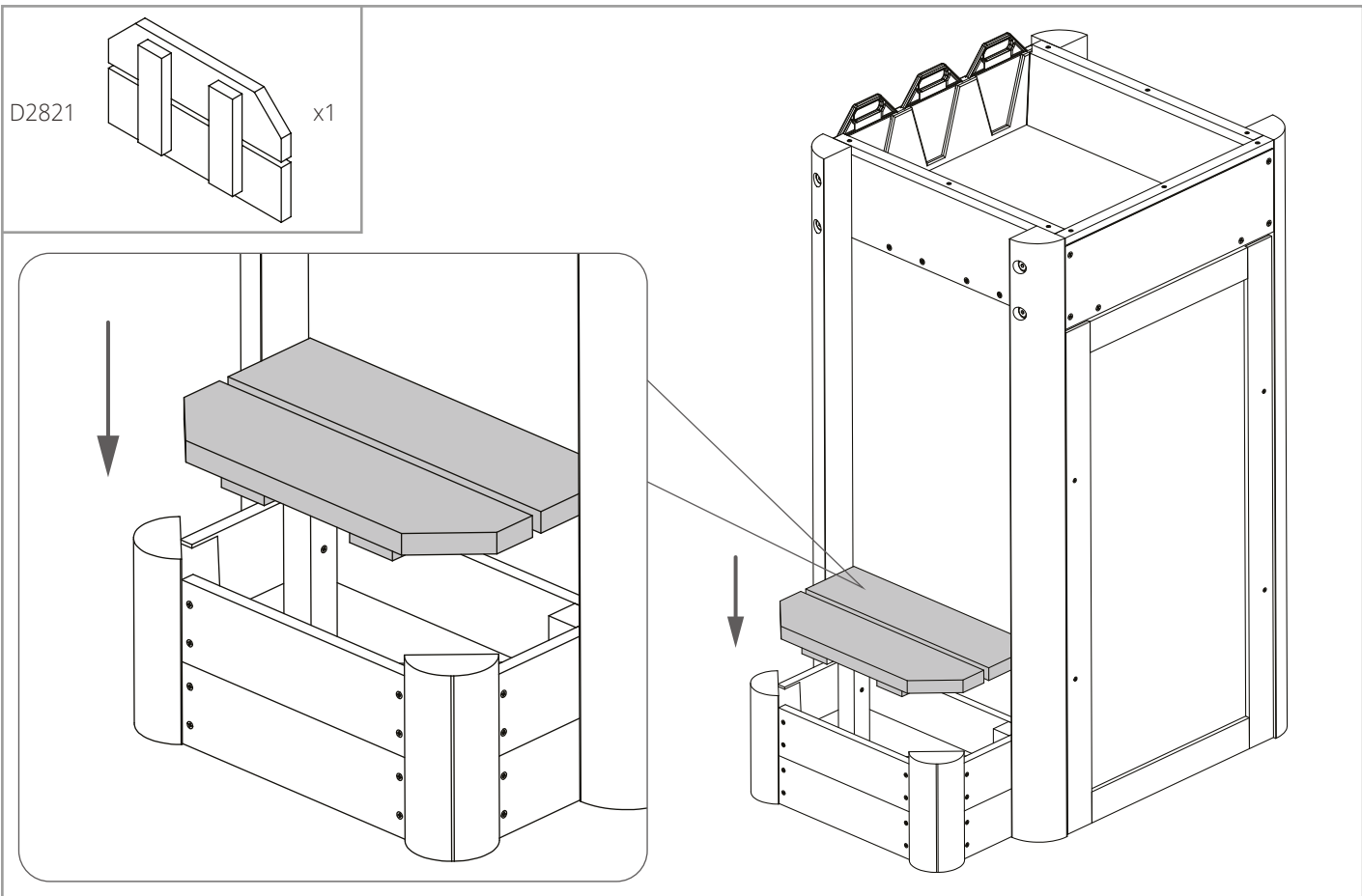
2



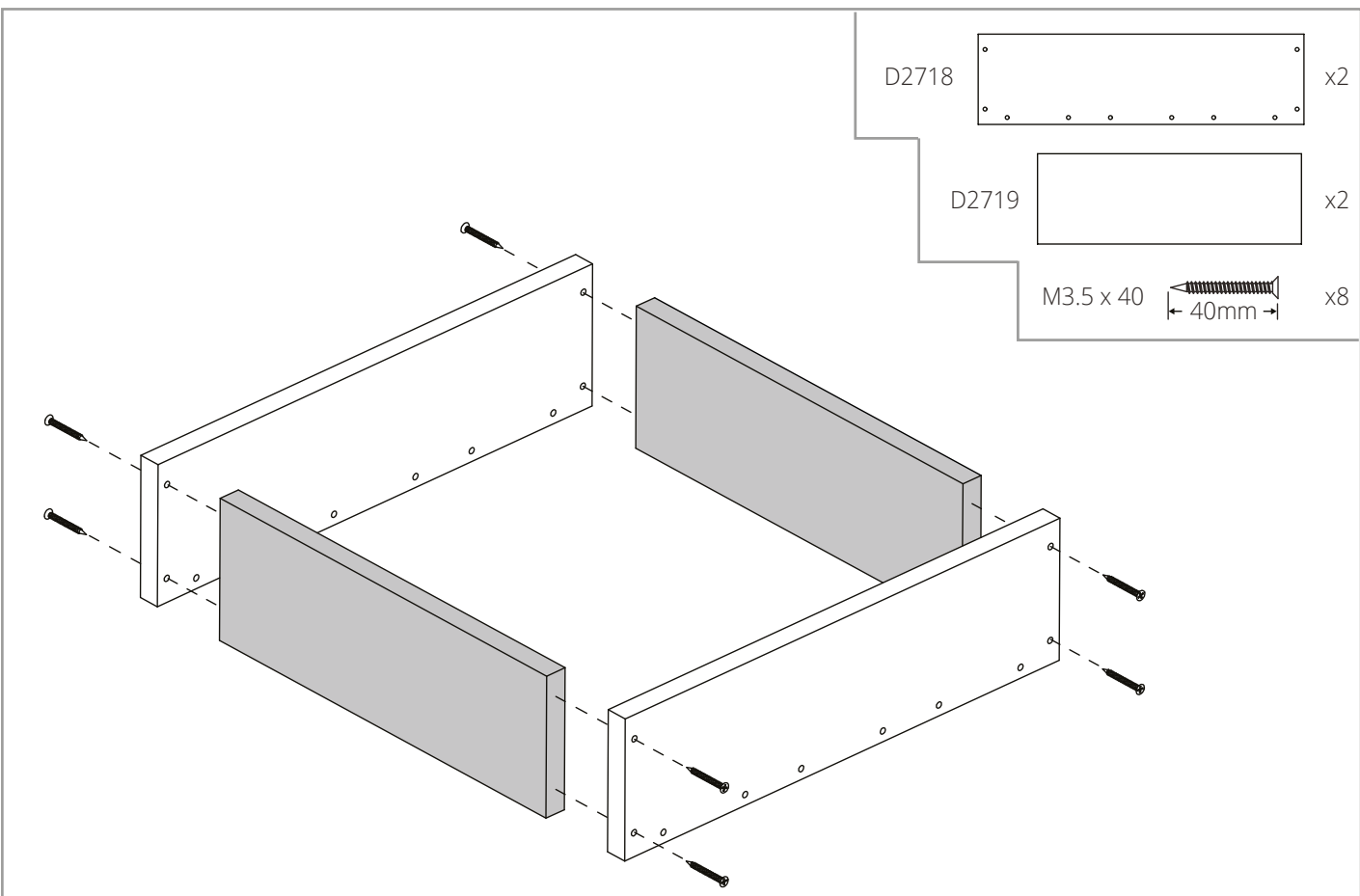
1
2
3
4
5
6
7
8
9
10
11
12
13
14
15
16
17
18
19
20
21
22
23
24
25
26
27
28
29
30
31
32
33
34

M4 x 60  x2





1
2
3
4
5
6
7
8
9
10
11
12
13
14
15
16
17
18
19
20
21
22
23
24
25
26
27
28
29
30
31
32
33
34



1
2
3
4
5
6
7
8
9
10
11
12
13
14
15
16
17
18
19
20
21
22
23
24
25
26
27
28
29
30
31
32
33
34

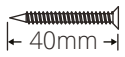
1
2
3
4
5
6
7
8
9
10
11
12
13
14
15
16
17
18
19
20
21
22
23
24
25
26
27
28
29
30
31
32
33
34

D2719

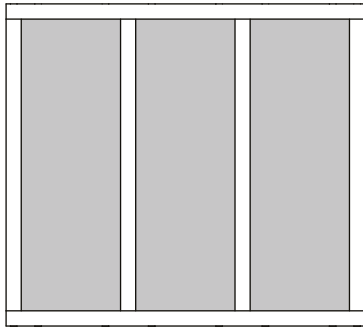
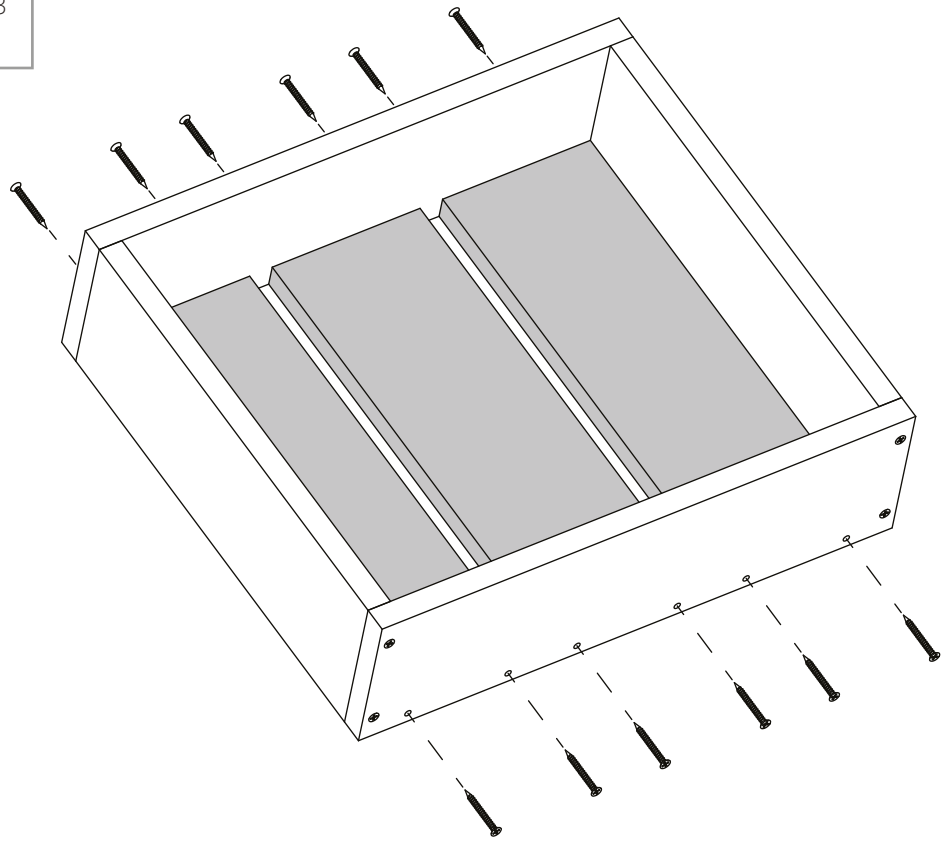


x3

M3.5 x 40

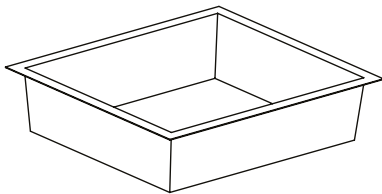


x8

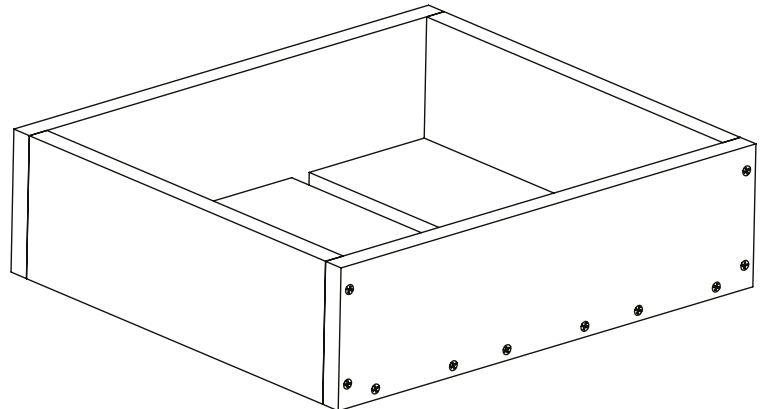
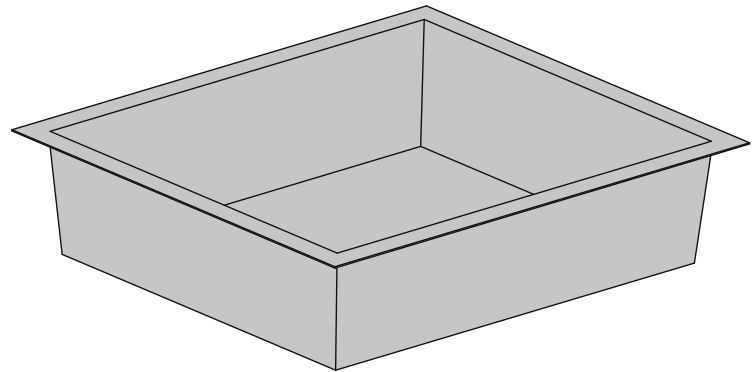


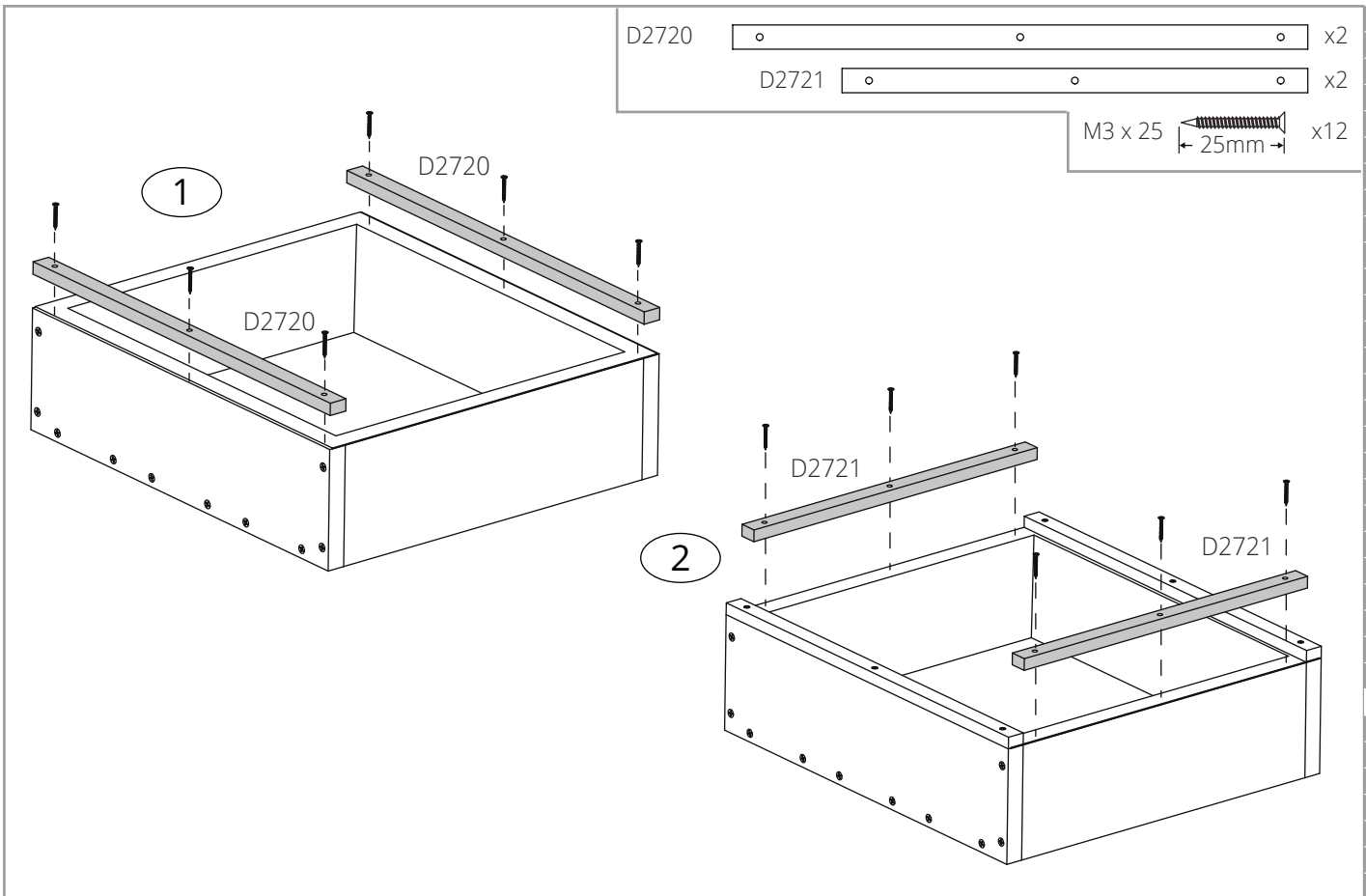
1
2
3
4
5
6
7
8
9
10
11
12
13
14
15
16
17
18
19
20
21
22
23
24
25
26
27
28
29
30
31
32
33
34

H223

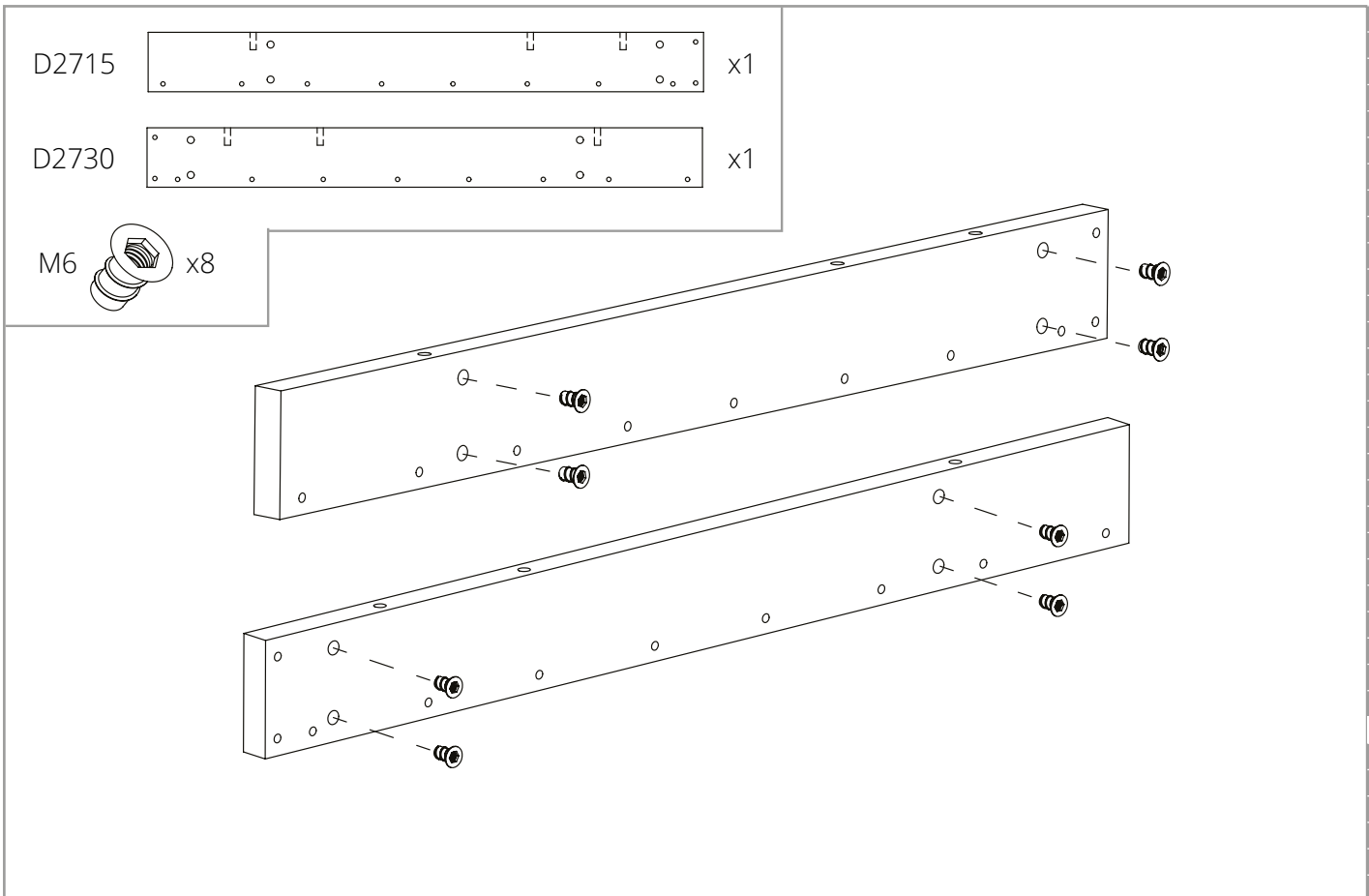


x1





1
2
3
4
5
6
7
8
9
10
11
12
13
14
15
16
17
18
19
20
21
22
23
24
25
26
27
28
29
30
31
32
33
34



1
2
3
4
5
6
7
8
9
10
11
12
13
14
15
16
17
18
19
20
21
22
23
24
25
26
27
28
29
30
31
32
33
34

1
2
3
4
5
6
7
8
9
10
11
12
13
14
15
16
17
18
19
20
21
22
23
24
25
26
27
28
29
30
31
32
33
34

D2714

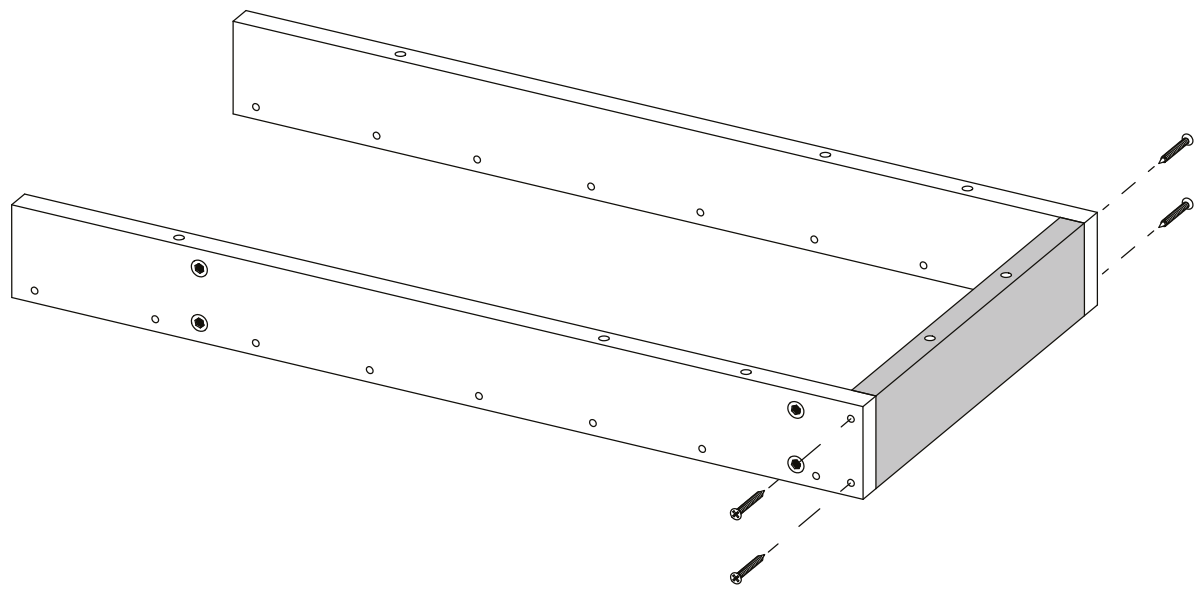


x1

M3.5 x 40



x4



1
2
3
4
5
6
7
8
9
10
11
12
13
14
15
16
17
18
19
20
21
22
23
24
25
26
27
28
29
30
31
32
33
34

D2707

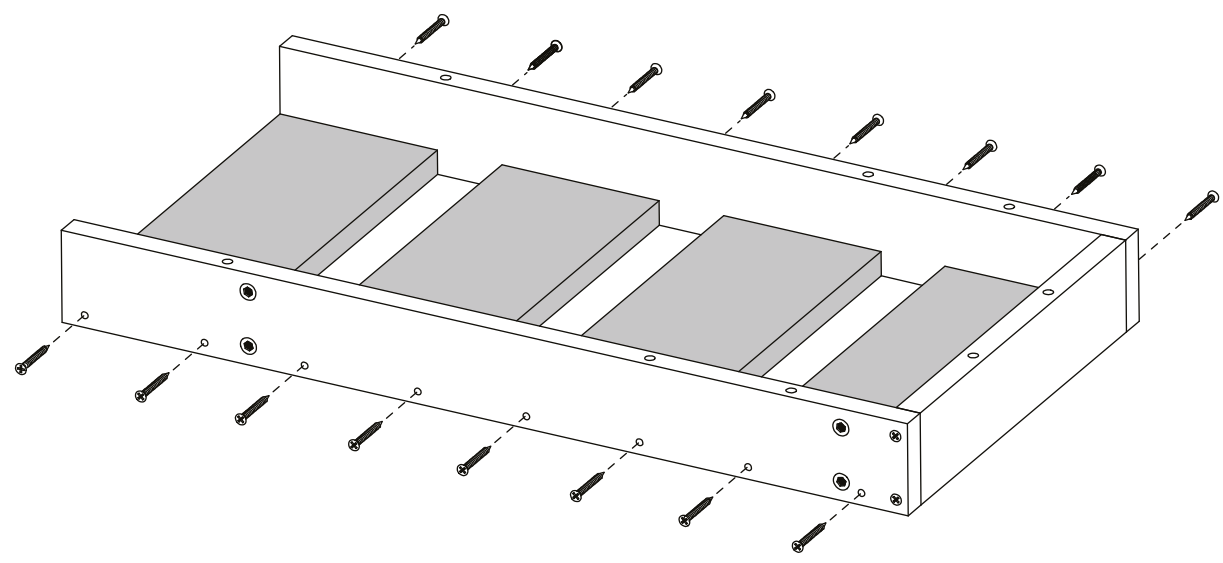


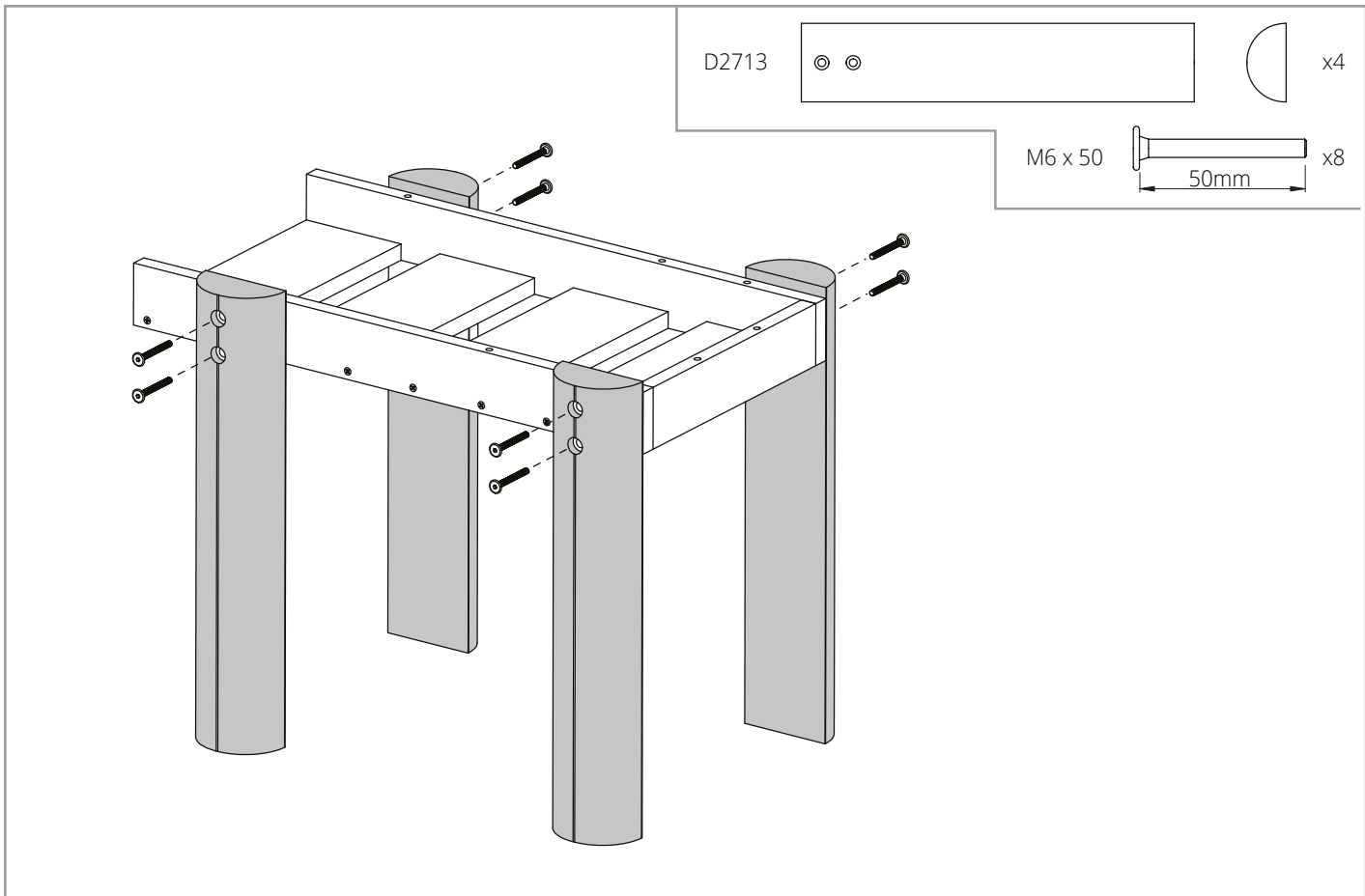
x4

M3.5 x 40

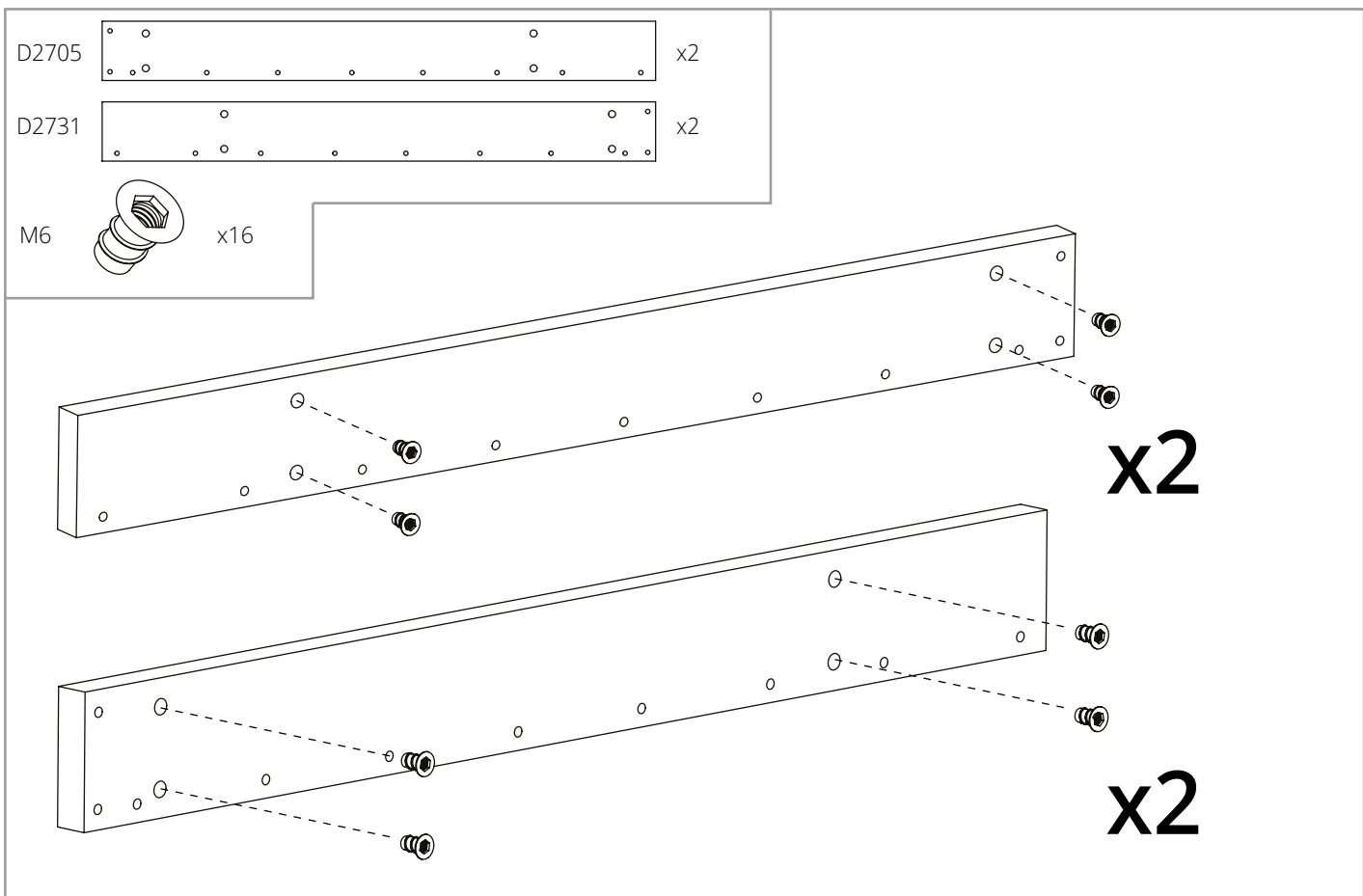


x16



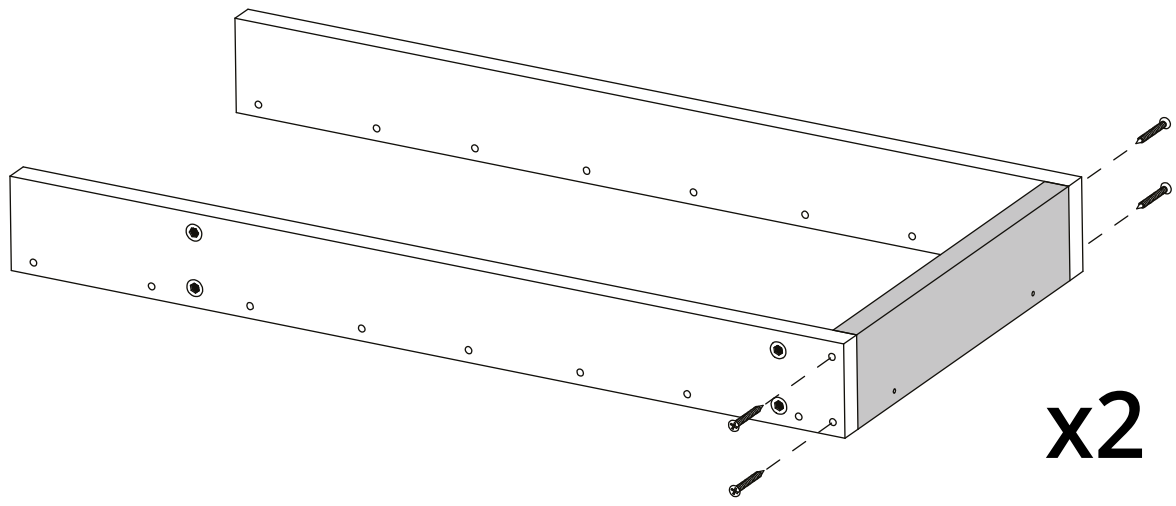
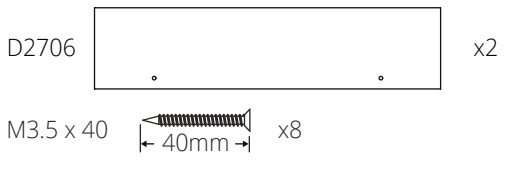


- 1
- 2
- 3
- 4
- 5
- 6
- 7
- 8
- 9
- 10
- 11
- 12
- 13
- 14
- 15
- 16
- 17
- 18
- 19
- 20
- 21
- 22
- 23
- 24
- 25
- 26
- 27
- 28
- 29
- 30
- 31
- 32
- 33
- 34

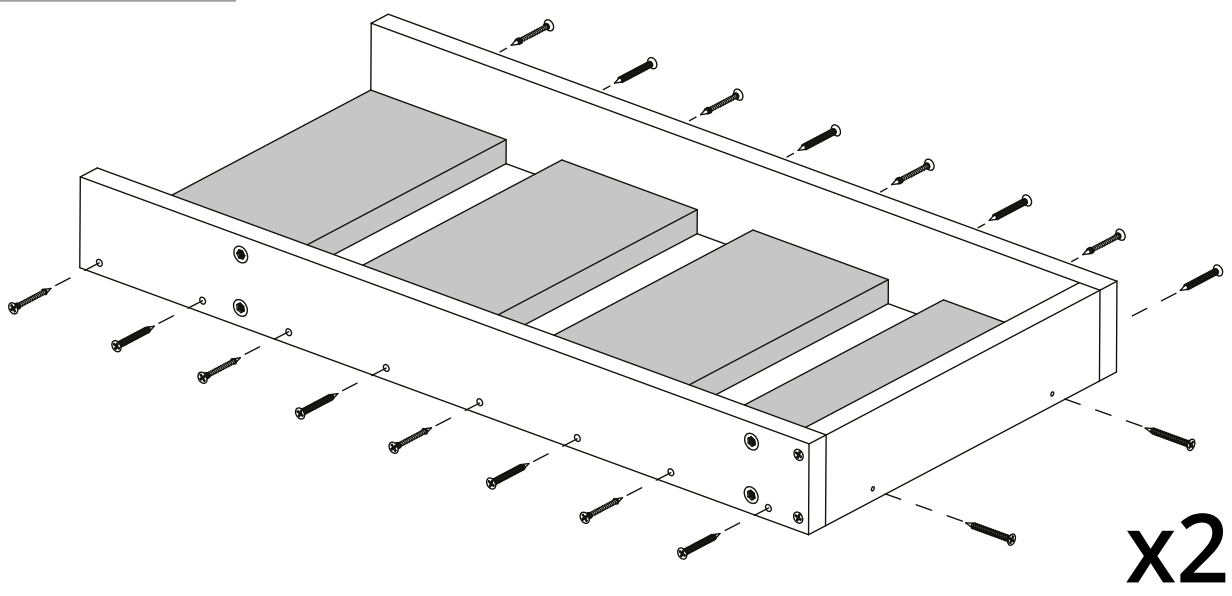
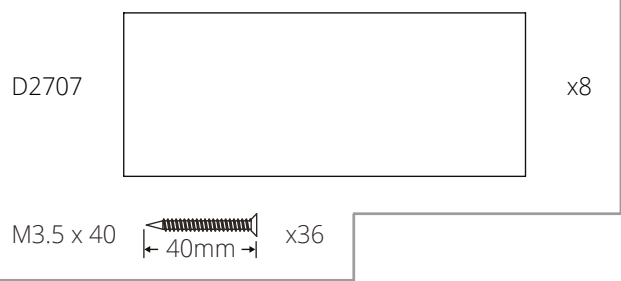


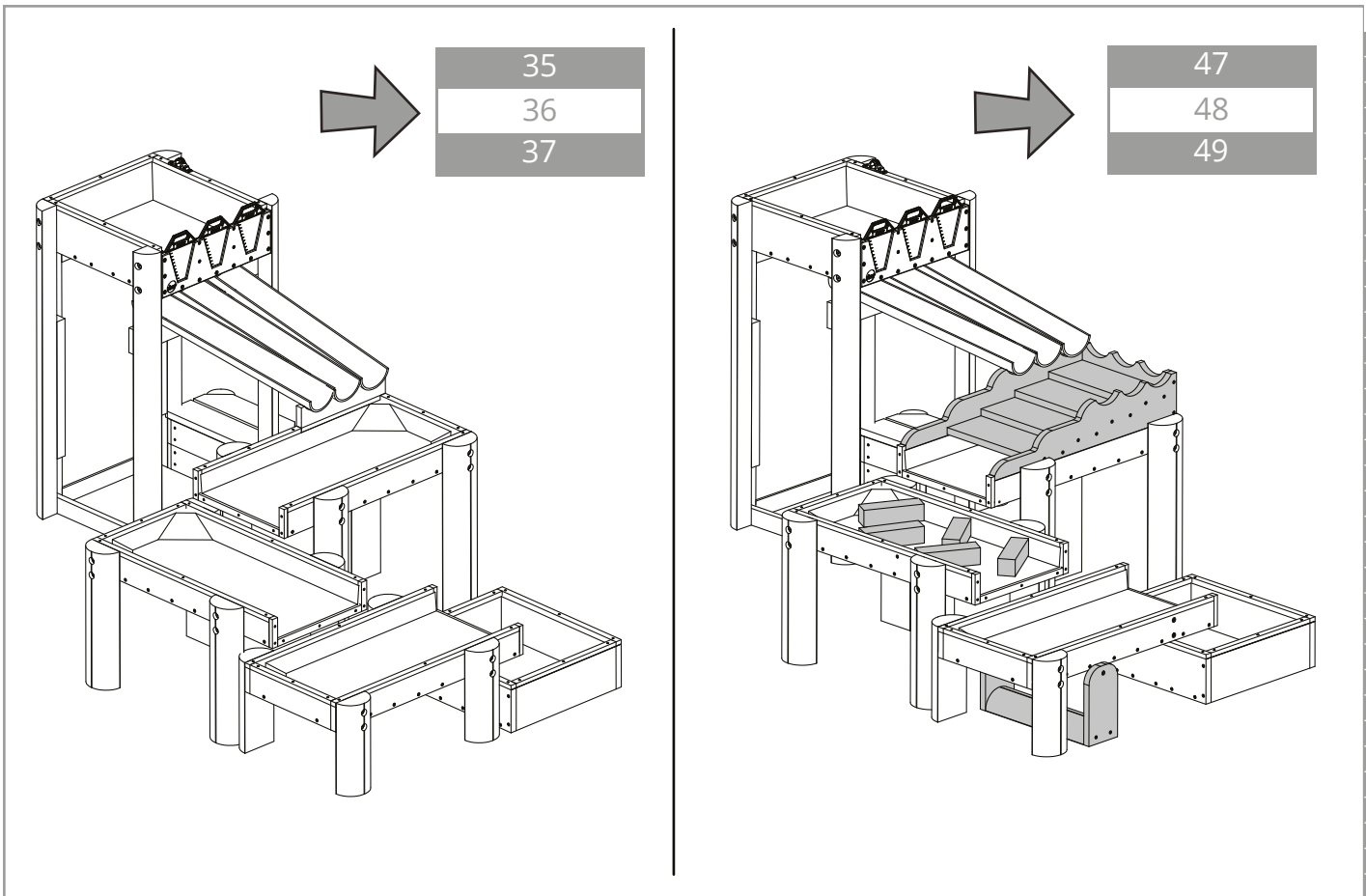
- 1
- 2
- 3
- 4
- 5
- 6
- 7
- 8
- 9
- 10
- 11
- 12
- 13
- 14
- 15
- 16
- 17
- 18
- 19
- 20
- 21
- 22
- 23
- 24
- 25
- 26
- 27
- 28
- 29
- 30
- 31
- 32
- 33
- 34

1
2
3
4
5
6
7
8
9
10
11
12
13
14
15
16
17
18
19
20
21
22
23
24
25
26
27
28
29
30
31
32
33
34

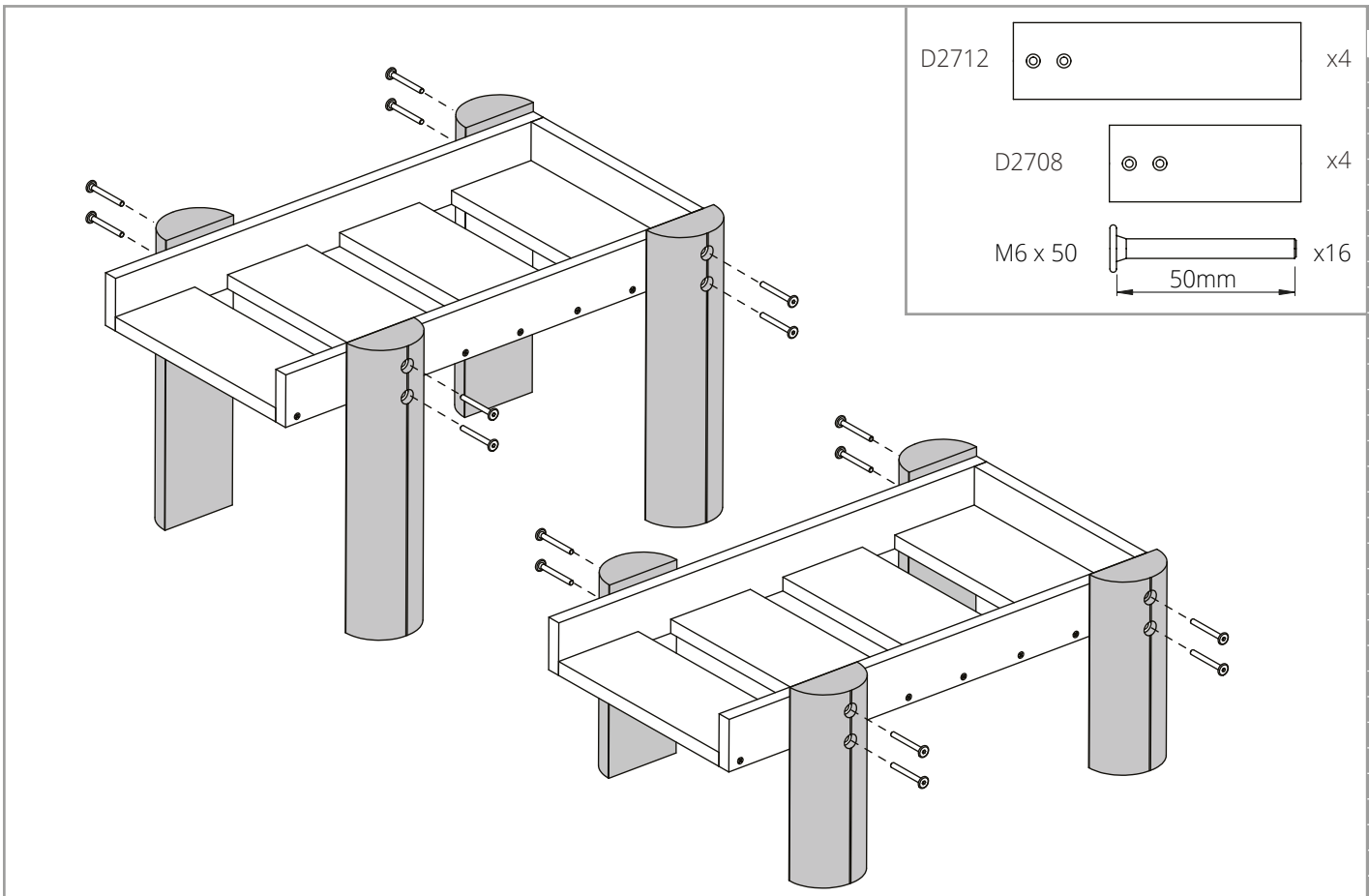


1
2
3
4
5
6
7
8
9
10
11
12
13
14
15
16
17
18
19
20
21
22
23
24
25
26
27
28
29
30
31
32
33
34



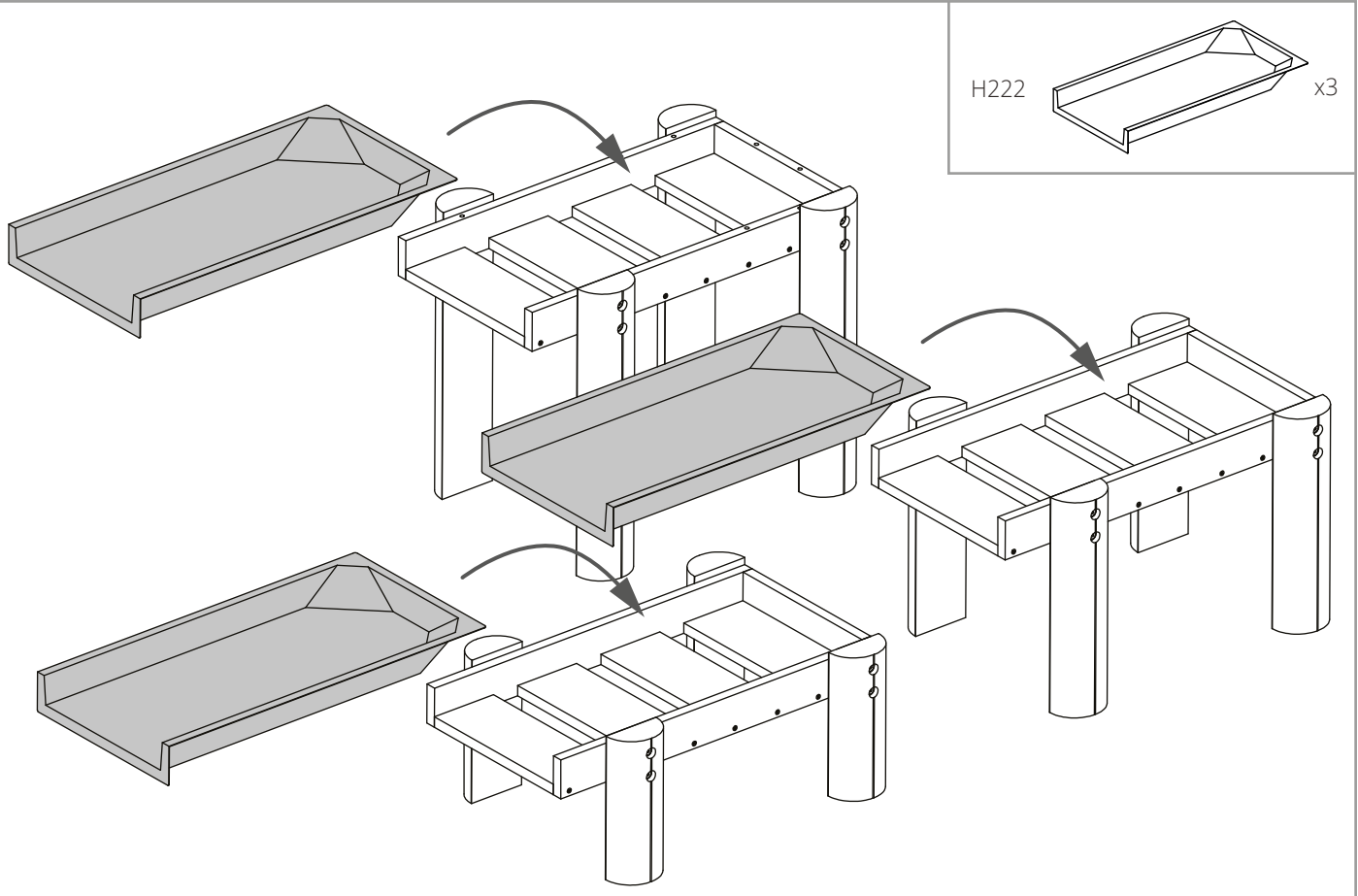


35
36
37
38
39
40
41
42
43
44
45
46
47
48
49
50
51
52
53
54
55
56
57
58
59
60
61
62
63
64
65
66
67
68
69

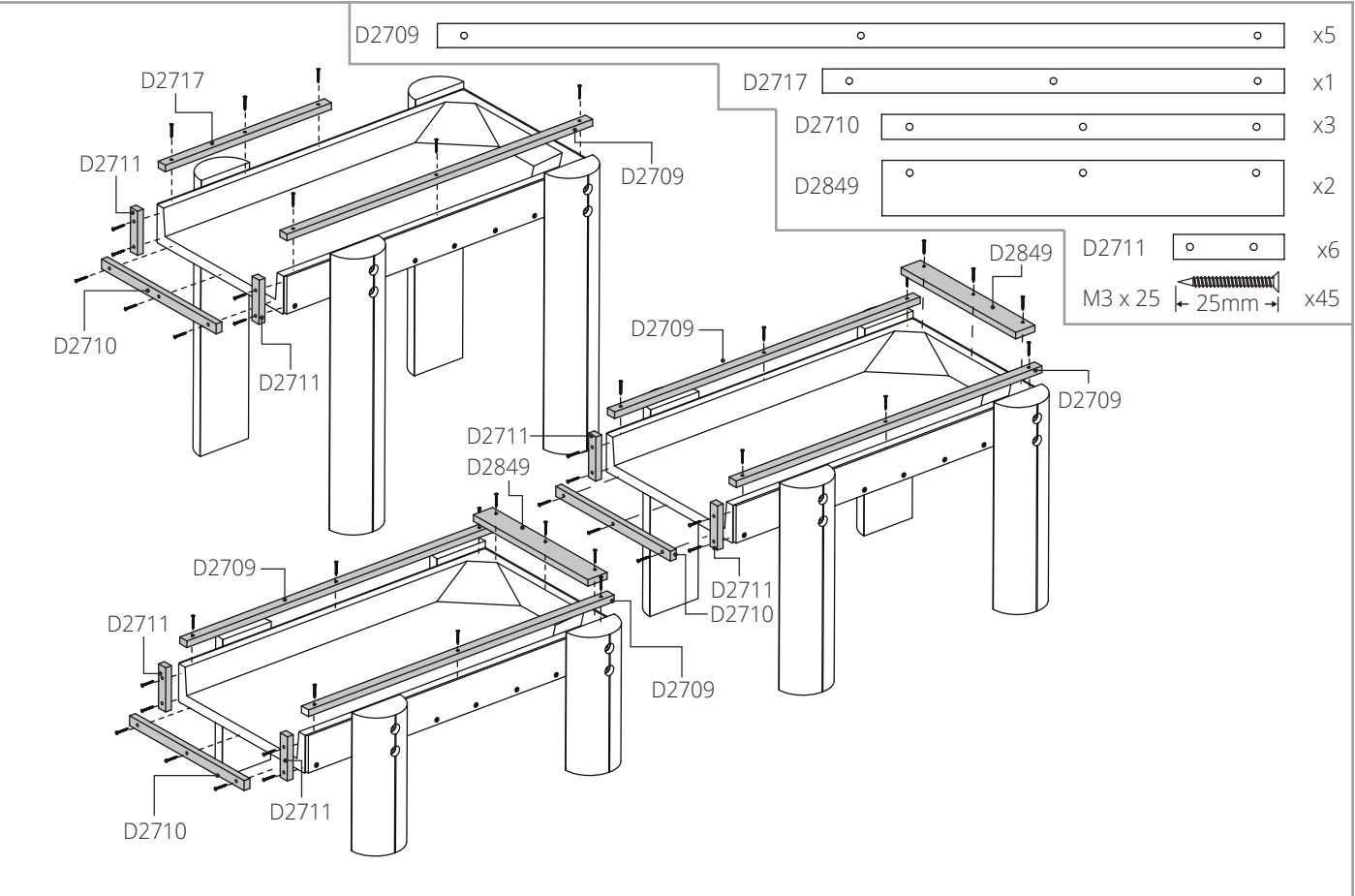


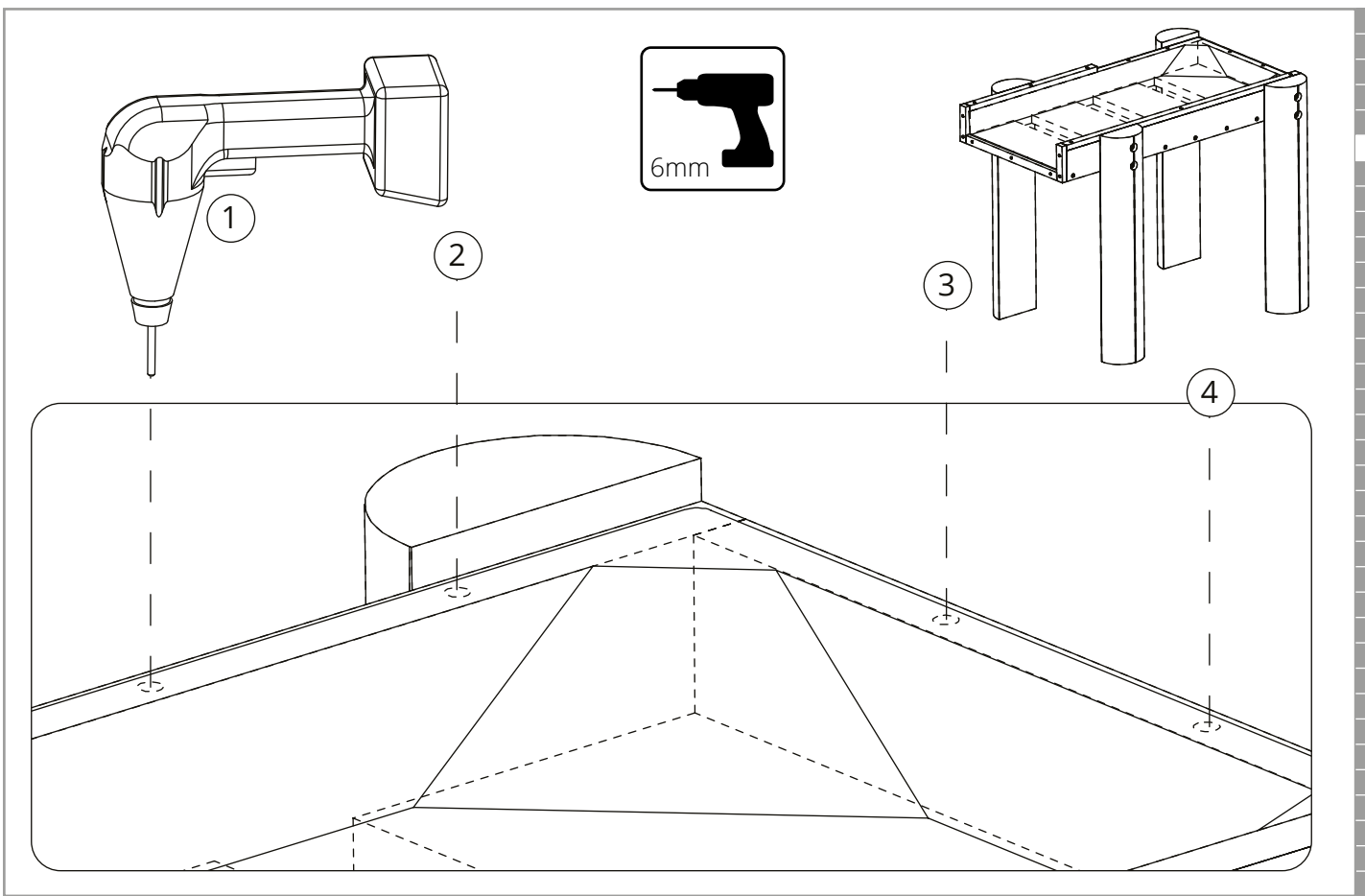
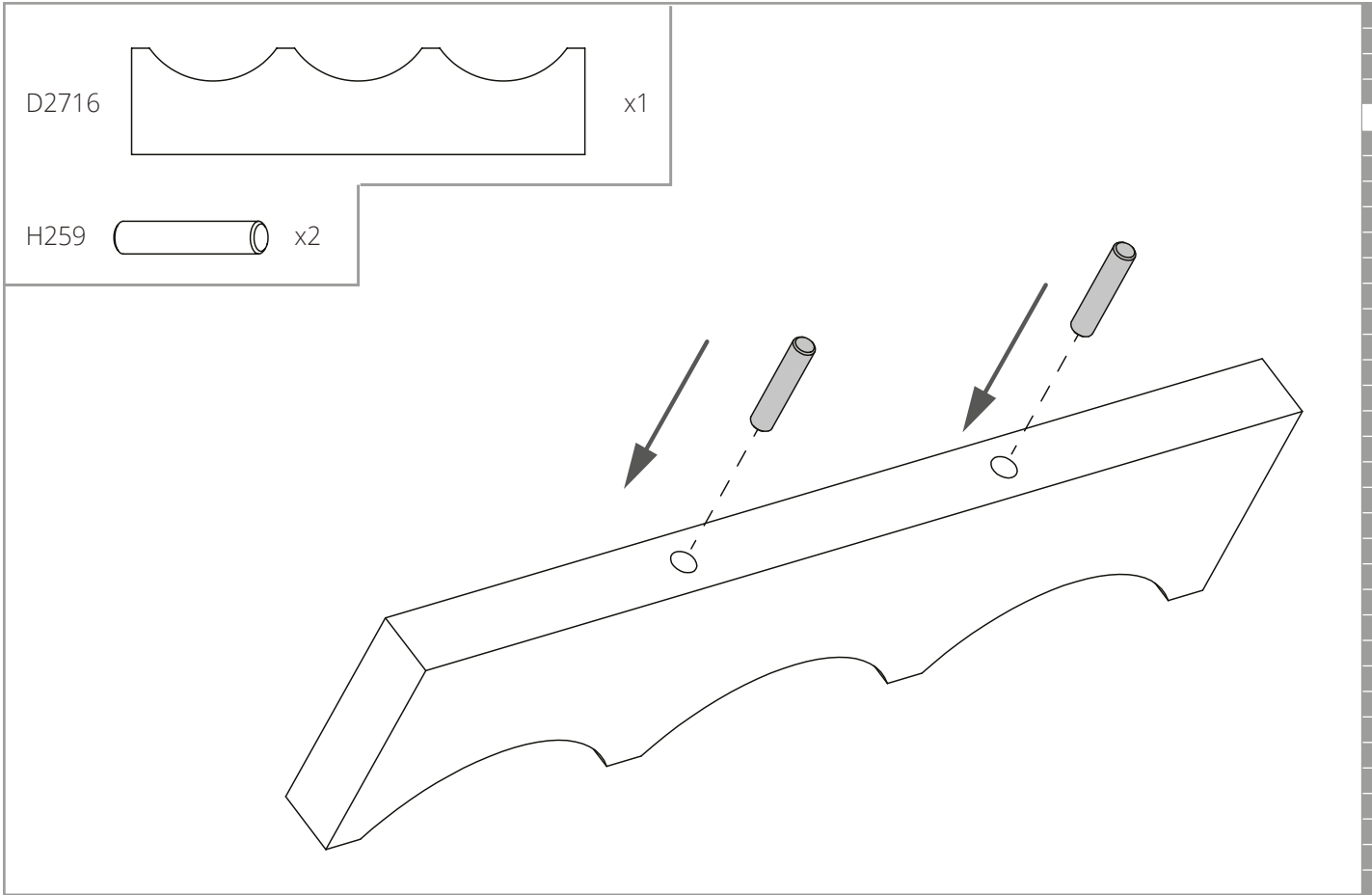
35
36
37
38
39
40
41
42
43
44
45
46
47
48
49
50
51
52
53
54
55
56
57
58
59
60
61
62
63
64
65
66
67
68
69

35
36
37
38
39
40
41
42
43
44
45
46
47
48
49
50
51
52
53
54
55
56
57
58
59
60
61
62
63
64
65
66
67
68
69

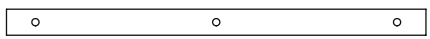
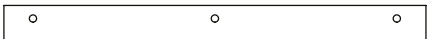



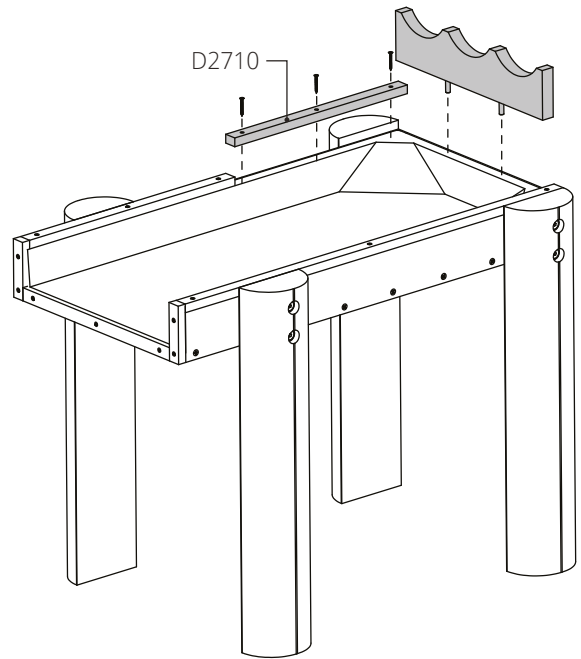
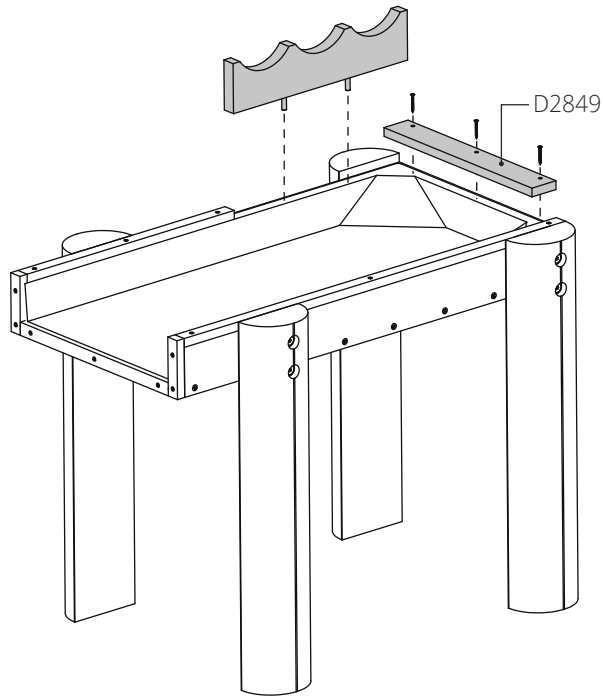
35
36
37
38
39
40
41
42
43
44
45
46
47
48
49
50
51
52
53
54
55
56
57
58
59
60
61
62
63
64
65
66
67
68
69





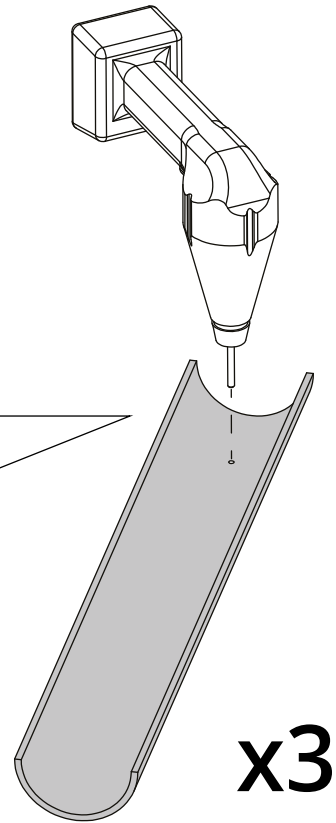
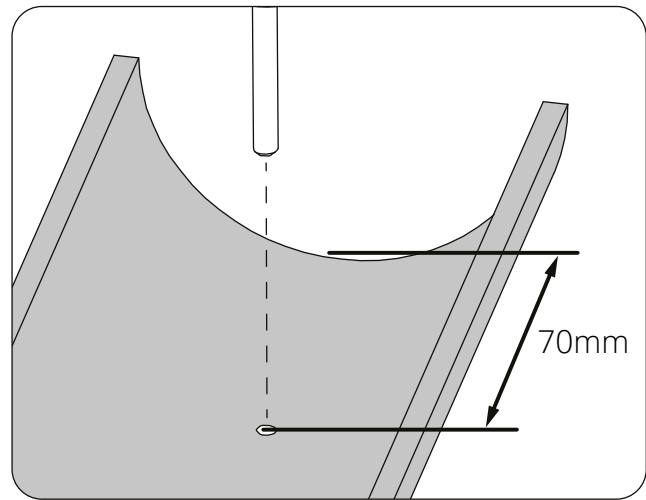
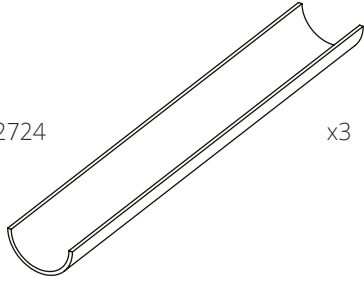
35
36
37
38
39
40
41
42
43
44
45
46
47
48
49
50
51
52
53
54
55
56
57
58
59
60
61
62
63
64
65
66
67
68
69

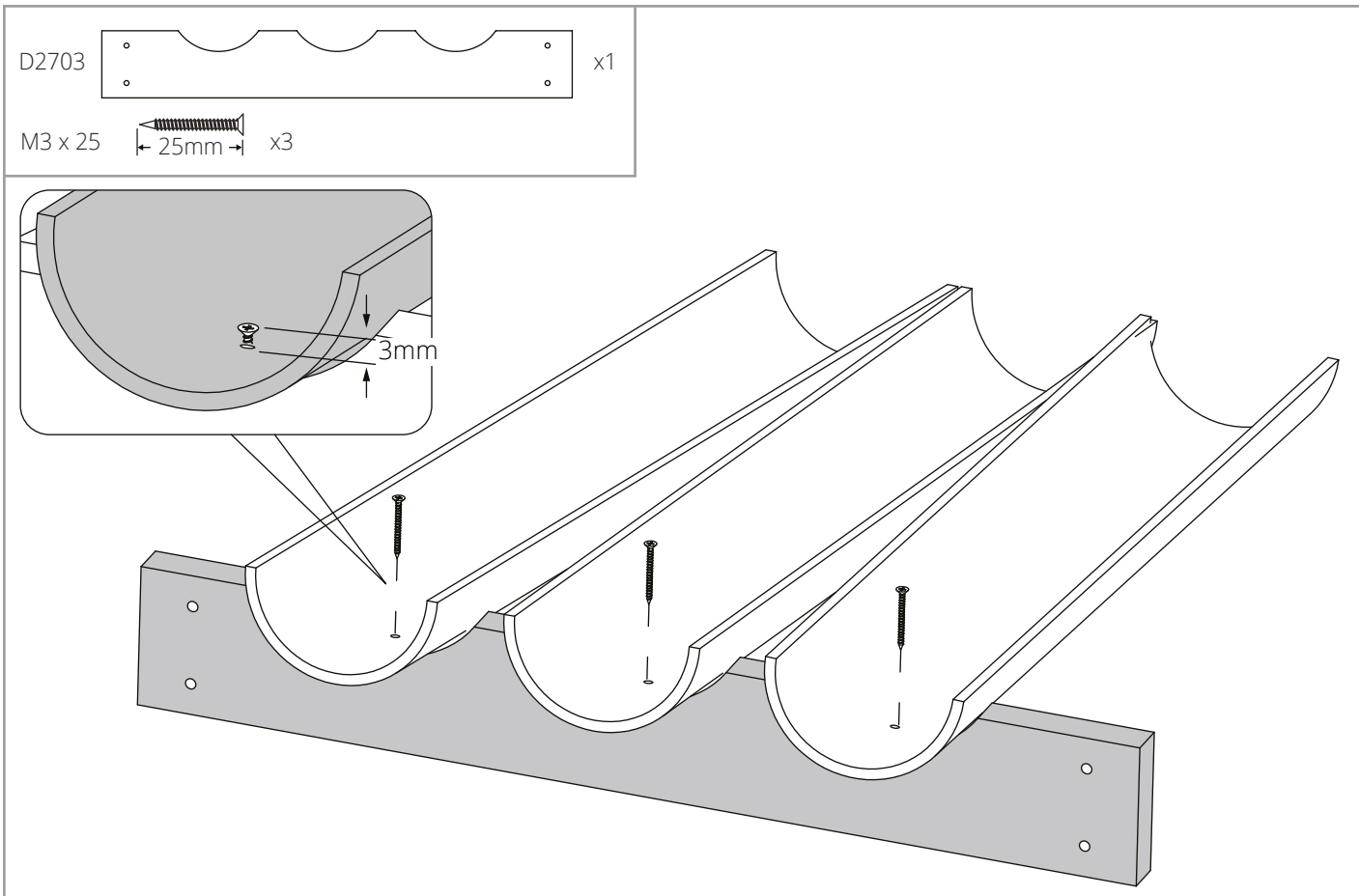
- D2710  x1
- D2849  x1
- M3 x 25  x3



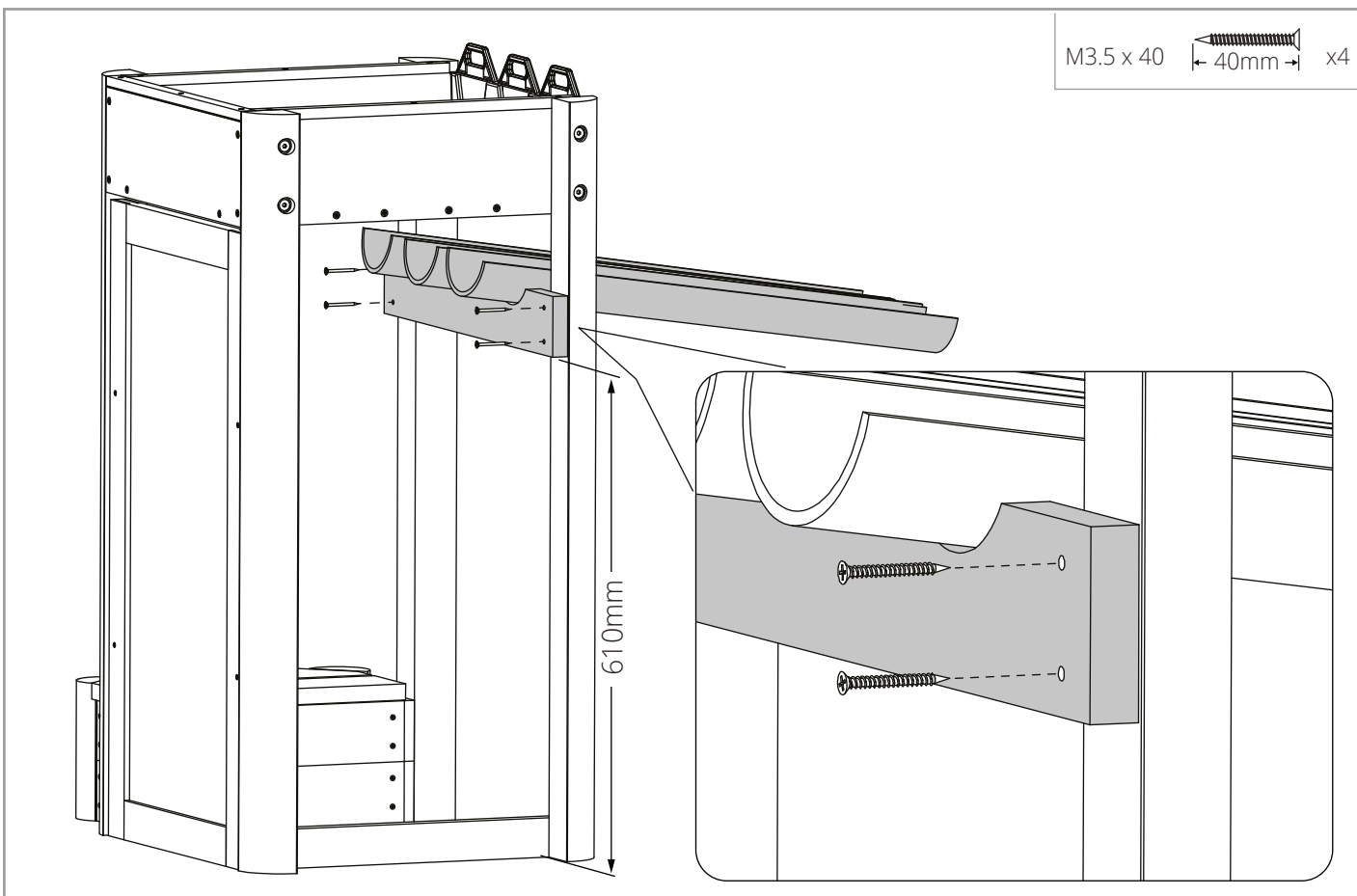
35
36
37
38
39
40
41
42
43
44
45
46
47
48
49
50
51
52
53
54
55
56
57
58
59
60
61
62
63
64
65
66
67
68
69

D2724 x3



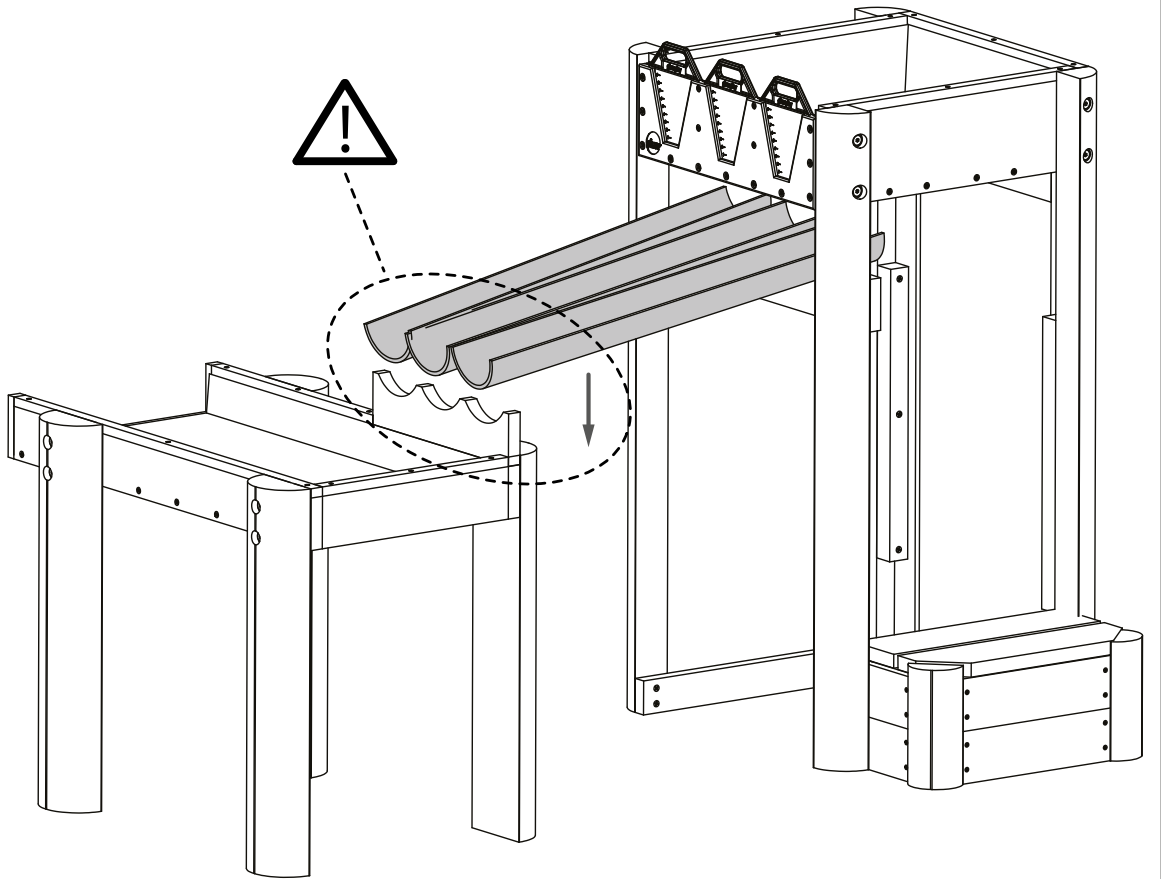


35
36
37
38
39
40
41
42
43
44
45
46
47
48
49
50
51
52
53
54
55
56
57
58
59
60
61
62
63
64
65
66
67
68
69

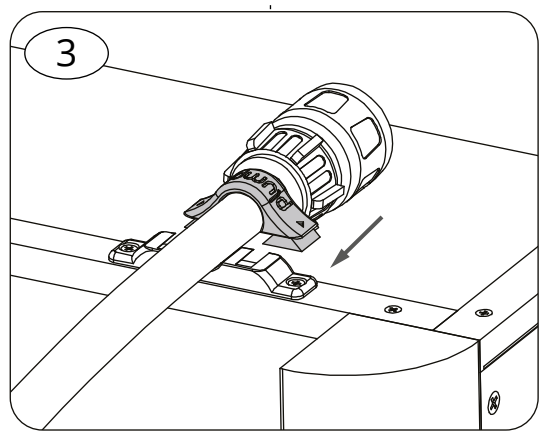
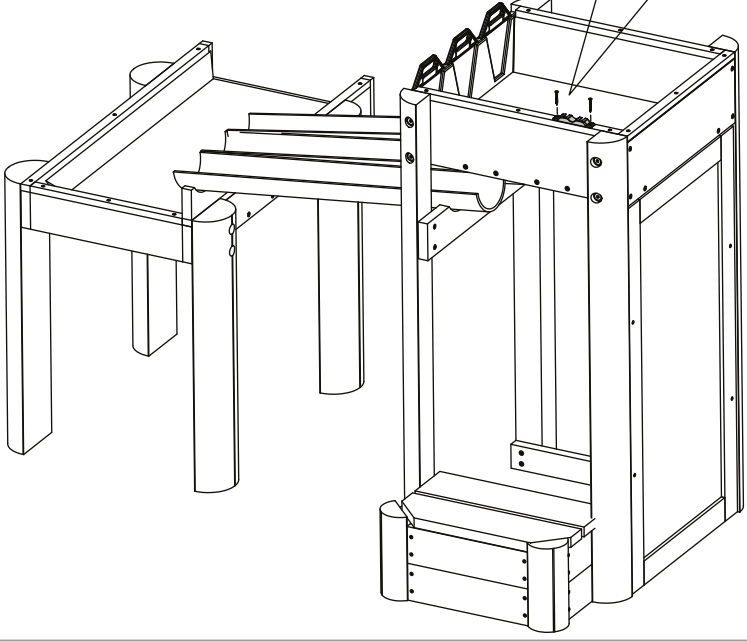
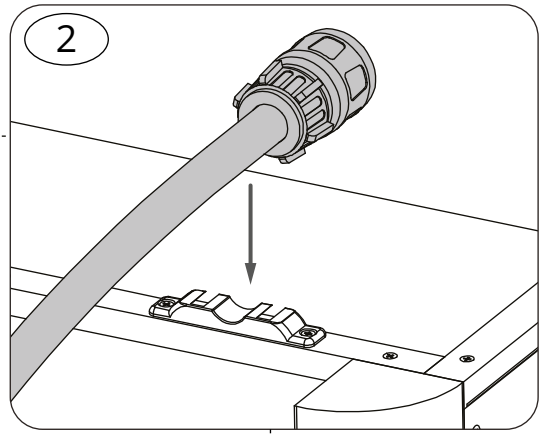
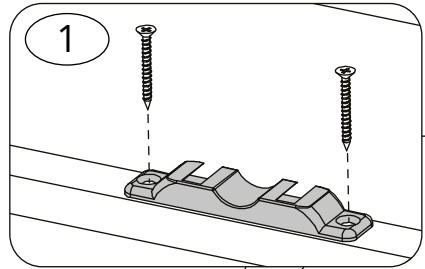
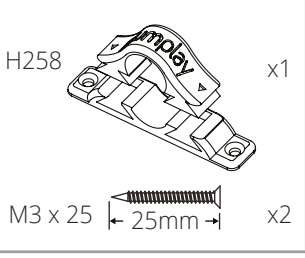


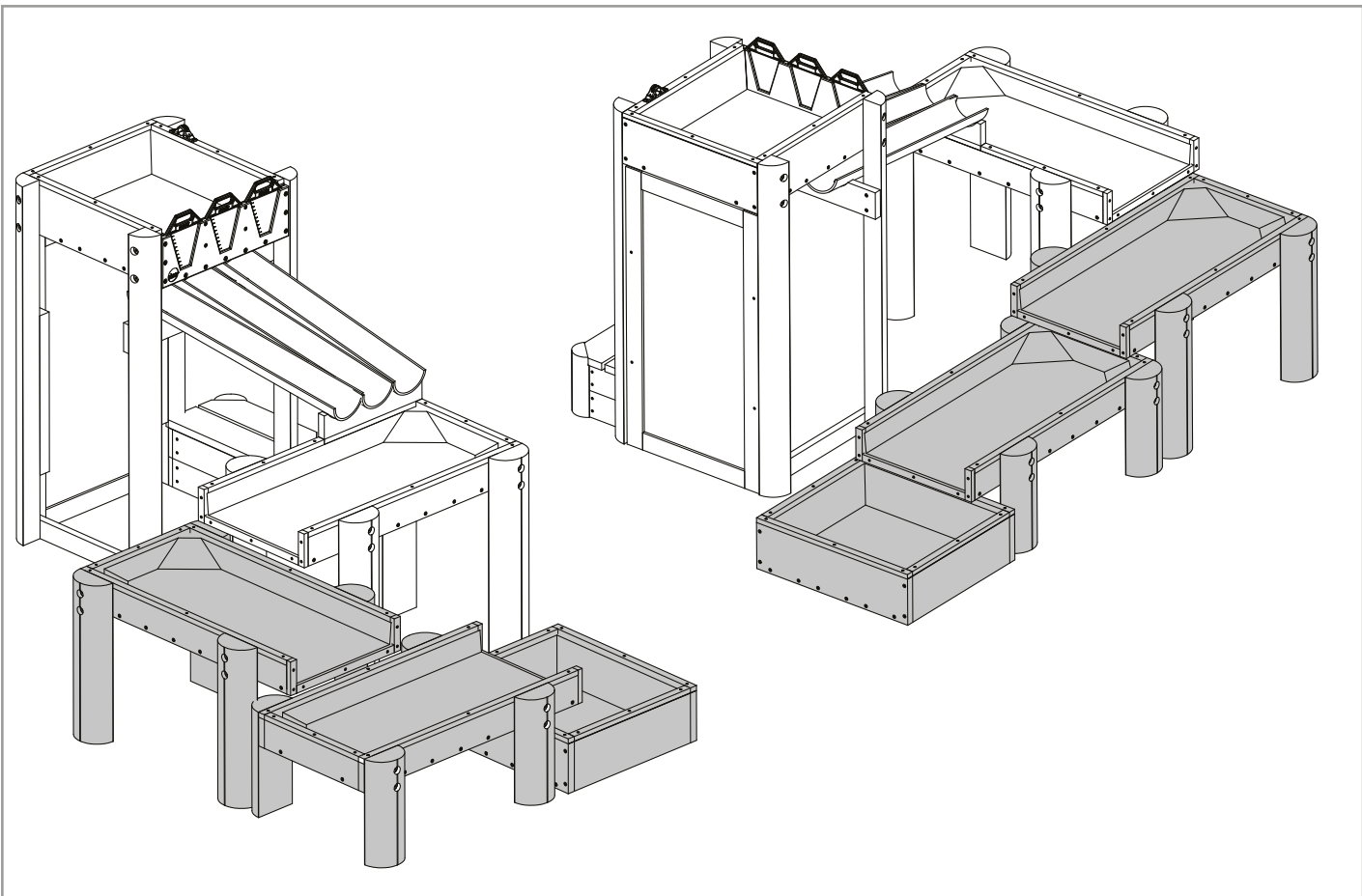
35
36
37
38
39
40
41
42
43
44
45
46
47
48
49
50
51
52
53
54
55
56
57
58
59
60
61
62
63
64
65
66
67
68
69

35
36
37
38
39
40
41
42
43
44
45
46
47
48
49
50
51
52
53
54
55
56
57
58
59
60
61
62
63
64
65
66
67
68
69

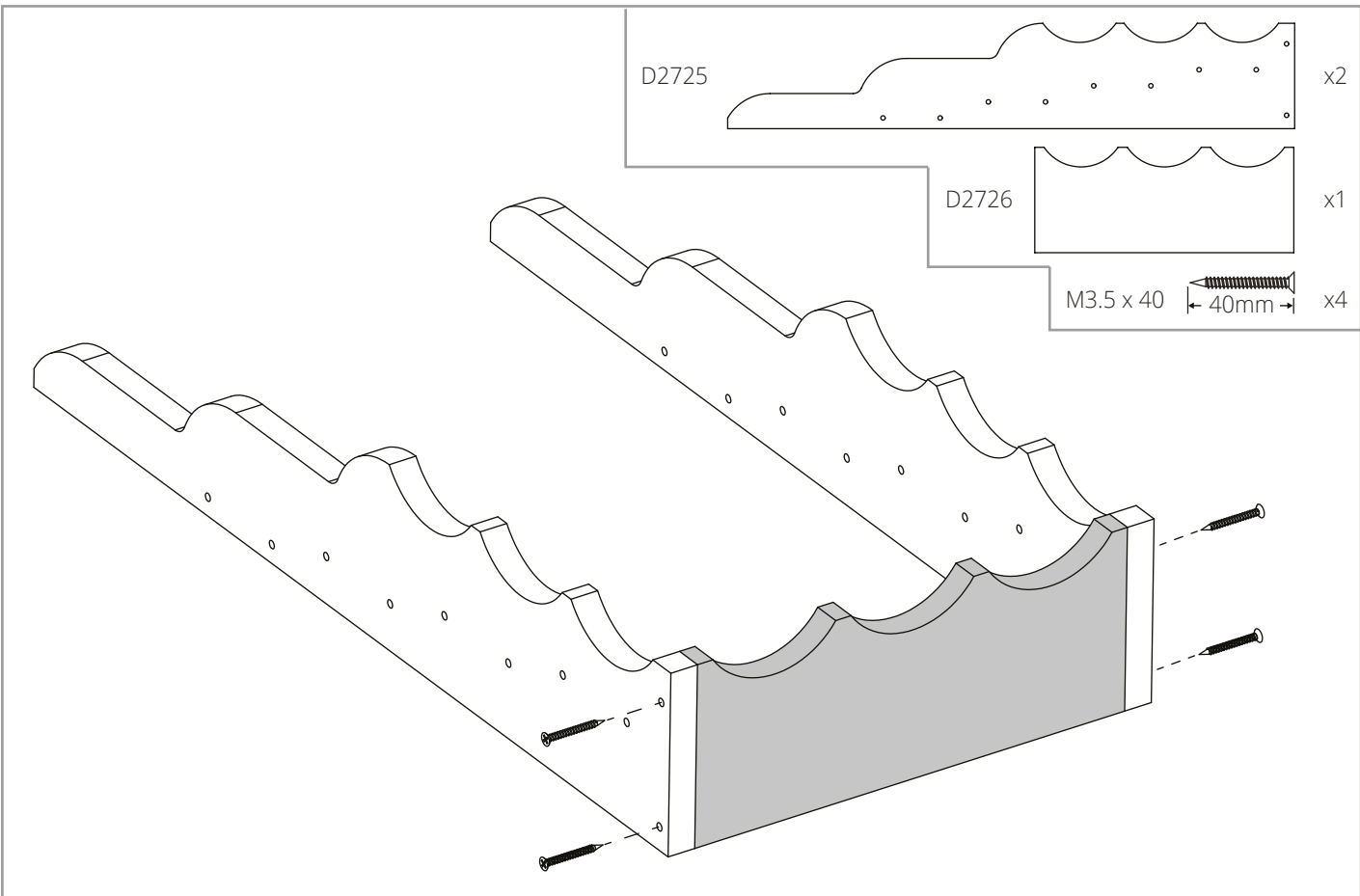


35
36
37
38
39
40
41
42
43
44
45
46
47
48
49
50
51
52
53
54
55
56
57
58
59
60
61
62
63
64
65
66
67
68
69





- 35
- 36
- 37
- 38
- 39
- 40
- 41
- 42
- 43
- 44
- 45
- 46
- 47
- 48
- 49
- 50
- 51
- 52
- 53
- 54
- 55
- 56
- 57
- 58
- 59
- 60
- 61
- 62
- 63
- 64
- 65
- 66
- 67
- 68
- 69



- 35
- 36
- 37
- 38
- 39
- 40
- 41
- 42
- 43
- 44
- 45
- 46
- 47
- 48
- 49
- 50
- 51
- 52
- 53
- 54
- 55
- 56
- 57
- 58
- 59
- 60
- 61
- 62
- 63
- 64
- 65
- 66
- 67
- 68
- 69

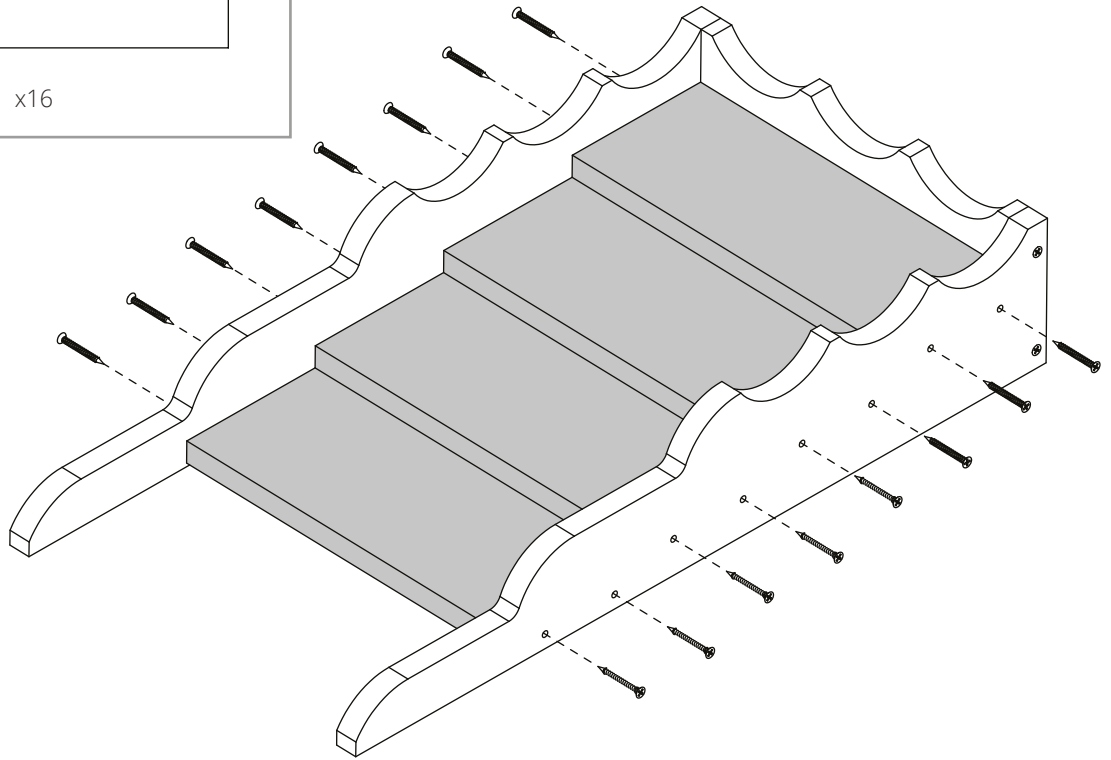
35
36
37
38
39
40
41
42
43
44
45
46
47
48
49
50
51
52
53
54
55
56
57
58
59
60
61
62
63
64
65
66
67
68
69

D2727


x4

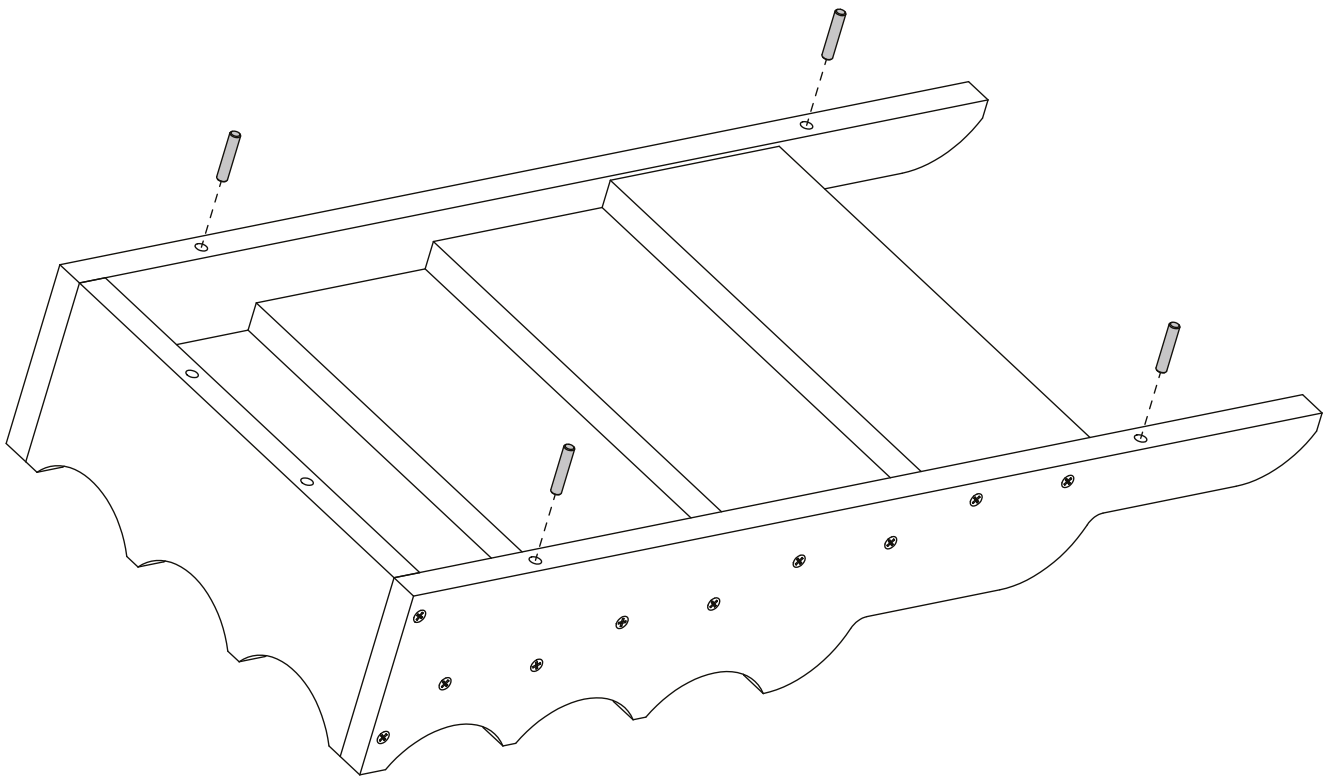


M3.5 x 40  40mm x16



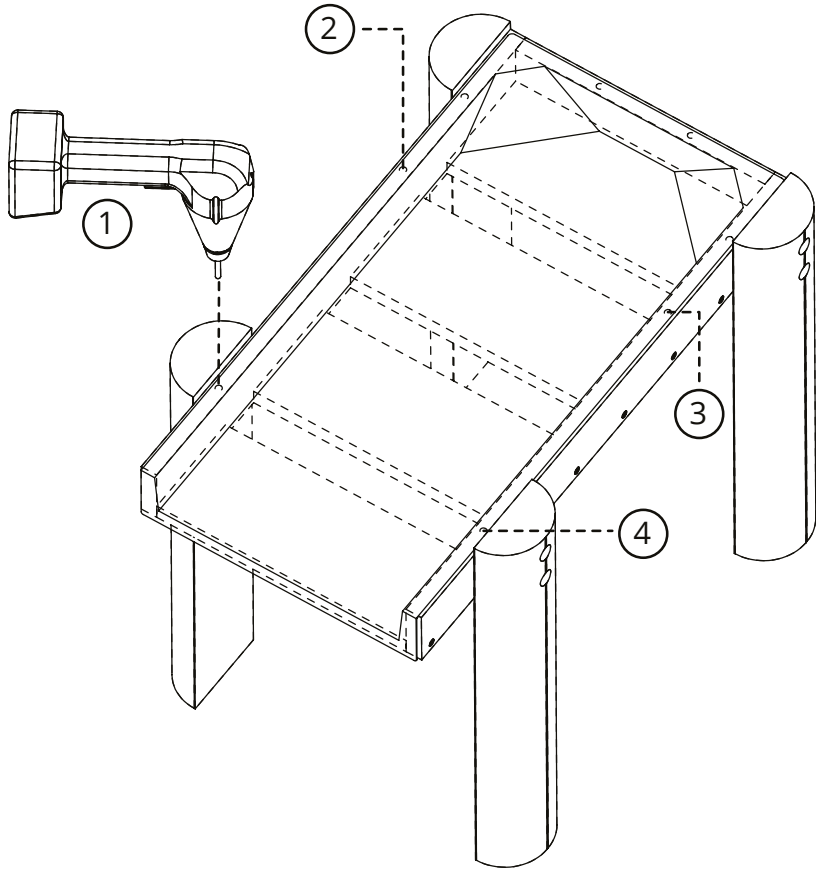
35
36
37
38
39
40
41
42
43
44
45
46
47
48
49
50
51
52
53
54
55
56
57
58
59
60
61
62
63
64
65
66
67
68
69

H259  x4

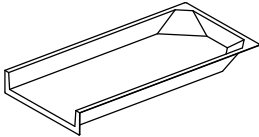




6mm

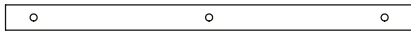


H222



x1

D2710



x1

D2711

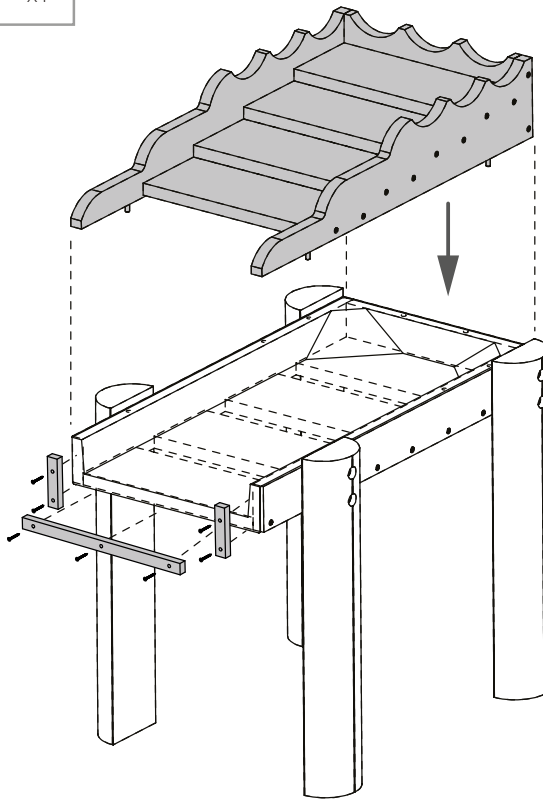


x2

M3 x 25



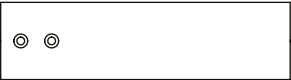
x7

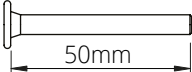


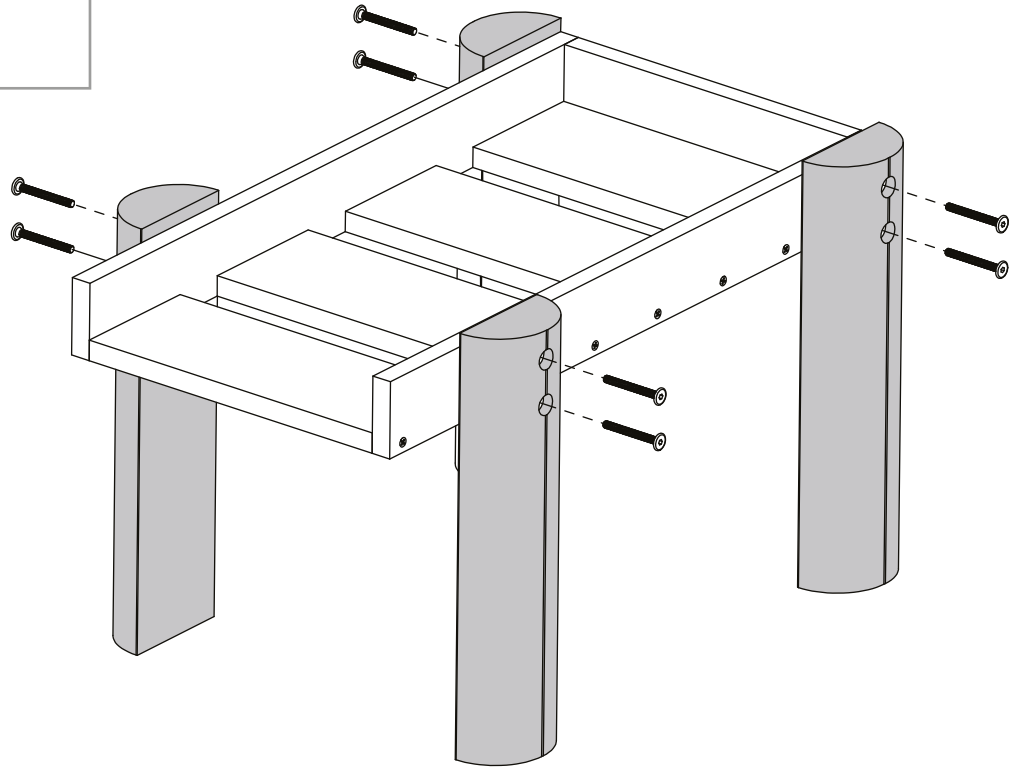
35
36
37
38
39
40
41
42
43
44
45
46
47
48
49
50
51
52
53
54
55
56
57
58
59
60
61
62
63
64
65
66
67
68
69

35
36
37
38
39
40
41
42
43
44
45
46
47
48
49
50
51
52
53
54
55
56
57
58
59
60
61
62
63
64
65
66
67
68
69

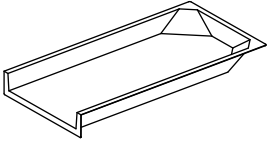
35
36
37
38
39
40
41
42
43
44
45
46
47
48
49
50
51
52
53
54
55
56
57
58
59
60
61
62
63
64
65
66
67
68
69

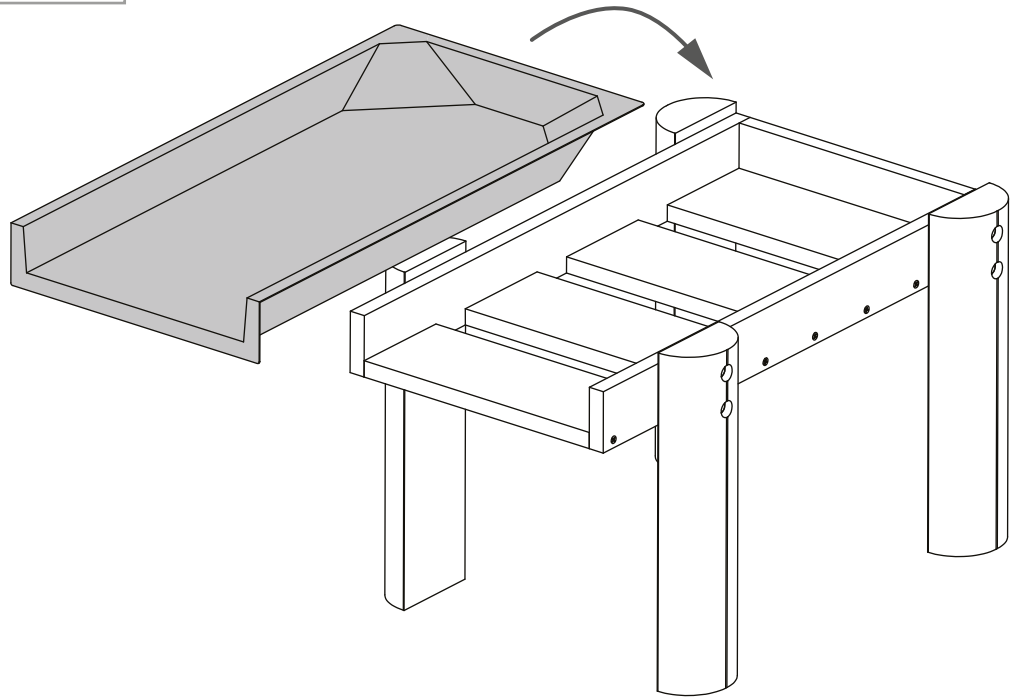
D2712  x4

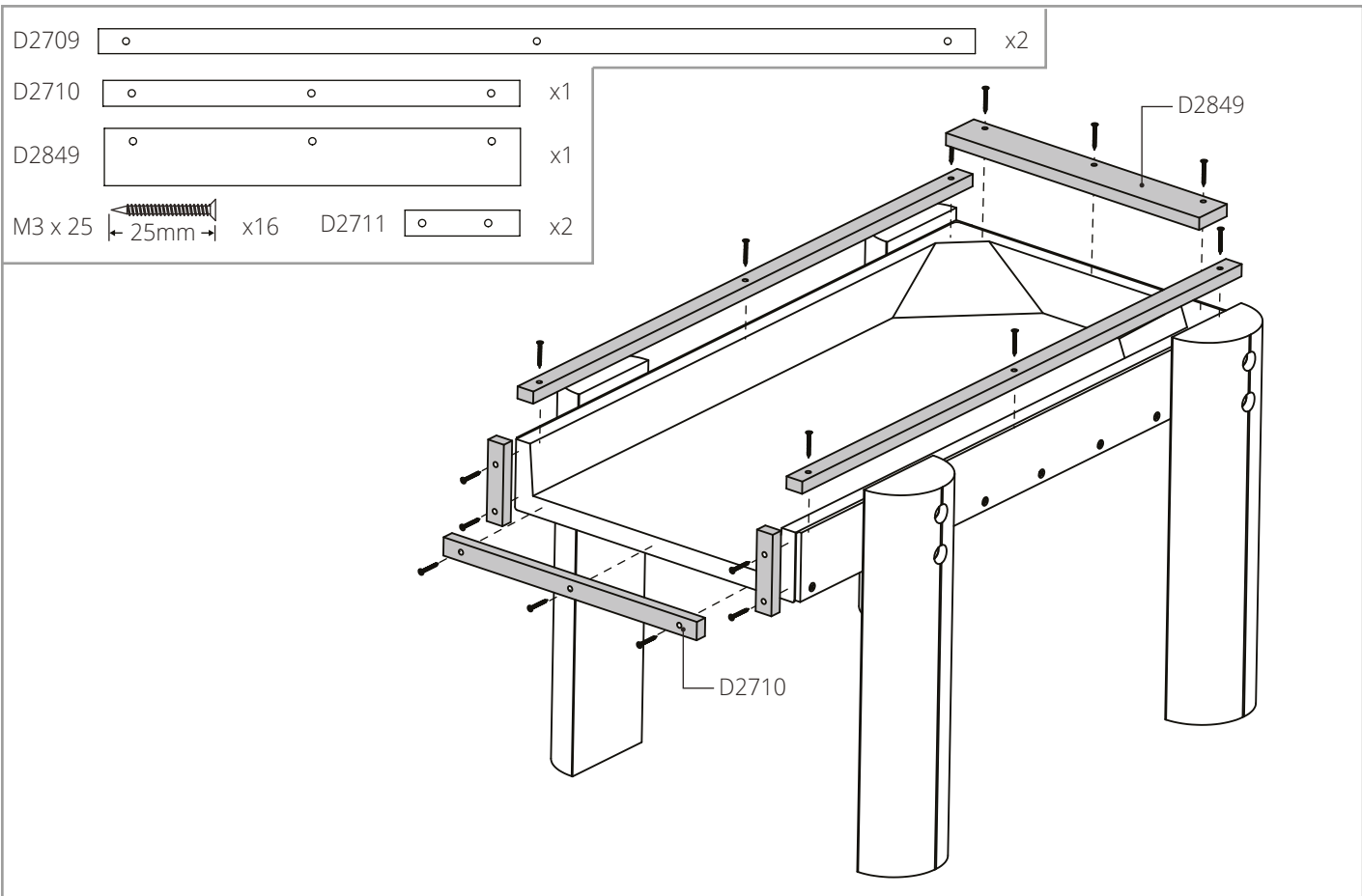
M6 x 50  x8



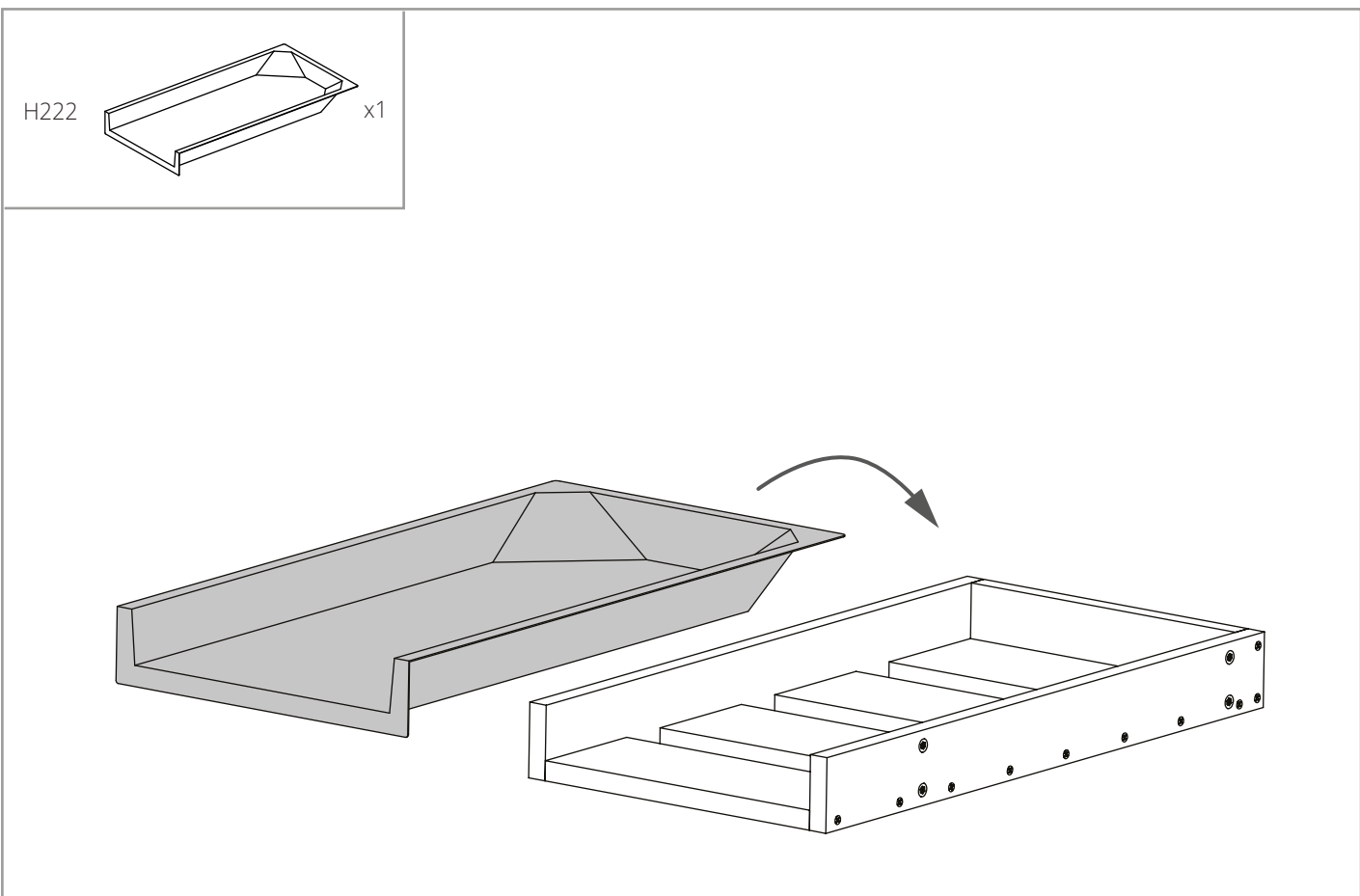
35
36
37
38
39
40
41
42
43
44
45
46
47
48
49
50
51
52
53
54
55
56
57
58
59
60
61
62
63
64
65
66
67
68
69

H222  x1



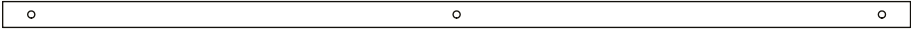






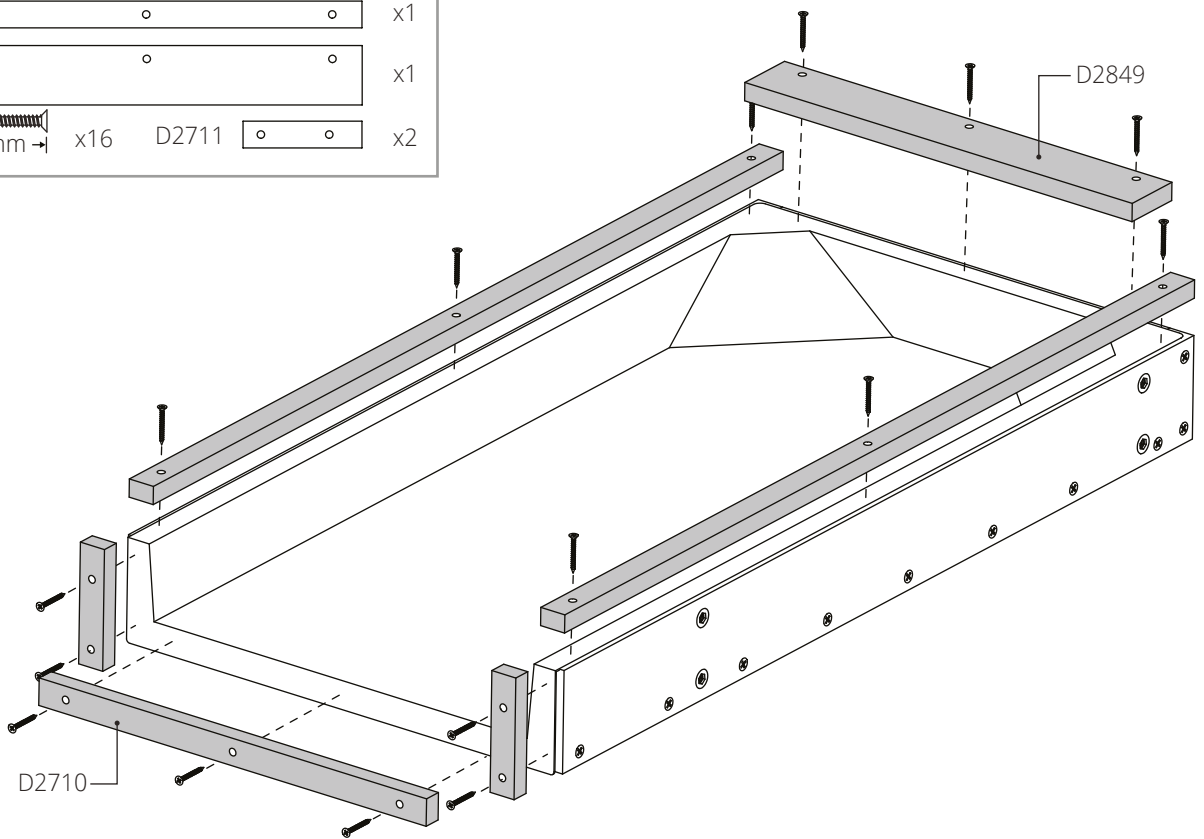
35
36
37
38
39
40
41
42
43
44
45
46
47
48
49
50
51
52
53
54
55
56
57
58
59
60
61
62
63
64
65
66
67
68
69



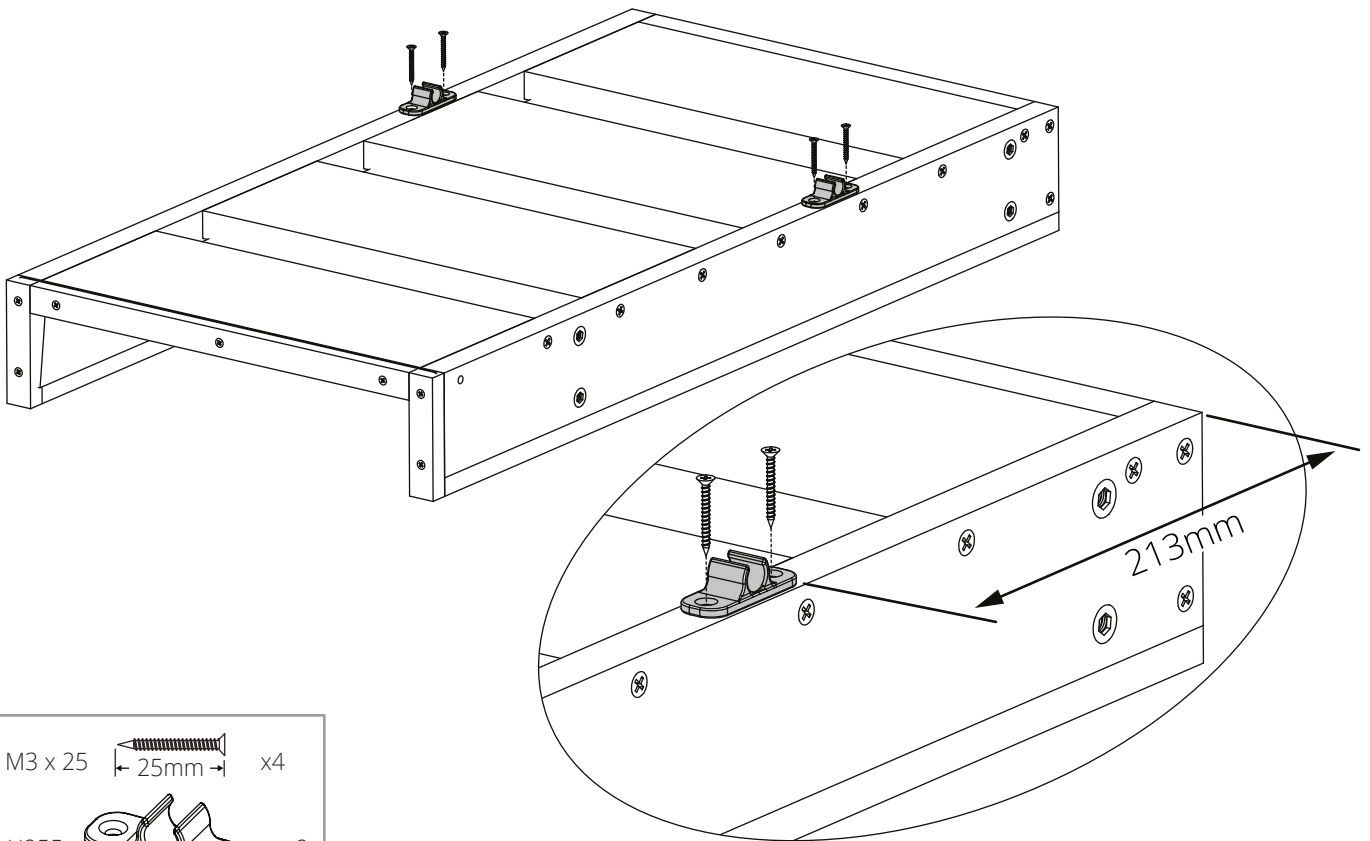
35
36
37
38
39
40
41
42
43
44
45
46
47
48
49
50
51
52
53
54
55
56
57
58
59
60
61
62
63
64
65
66
67
68
69


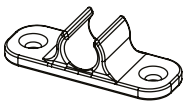
35
36
37
38
39
40
41
42
43
44
45
46
47
48
49
50
51
52
53
54
55
56
57
58
59
60
61
62
63
64
65
66
67
68
69

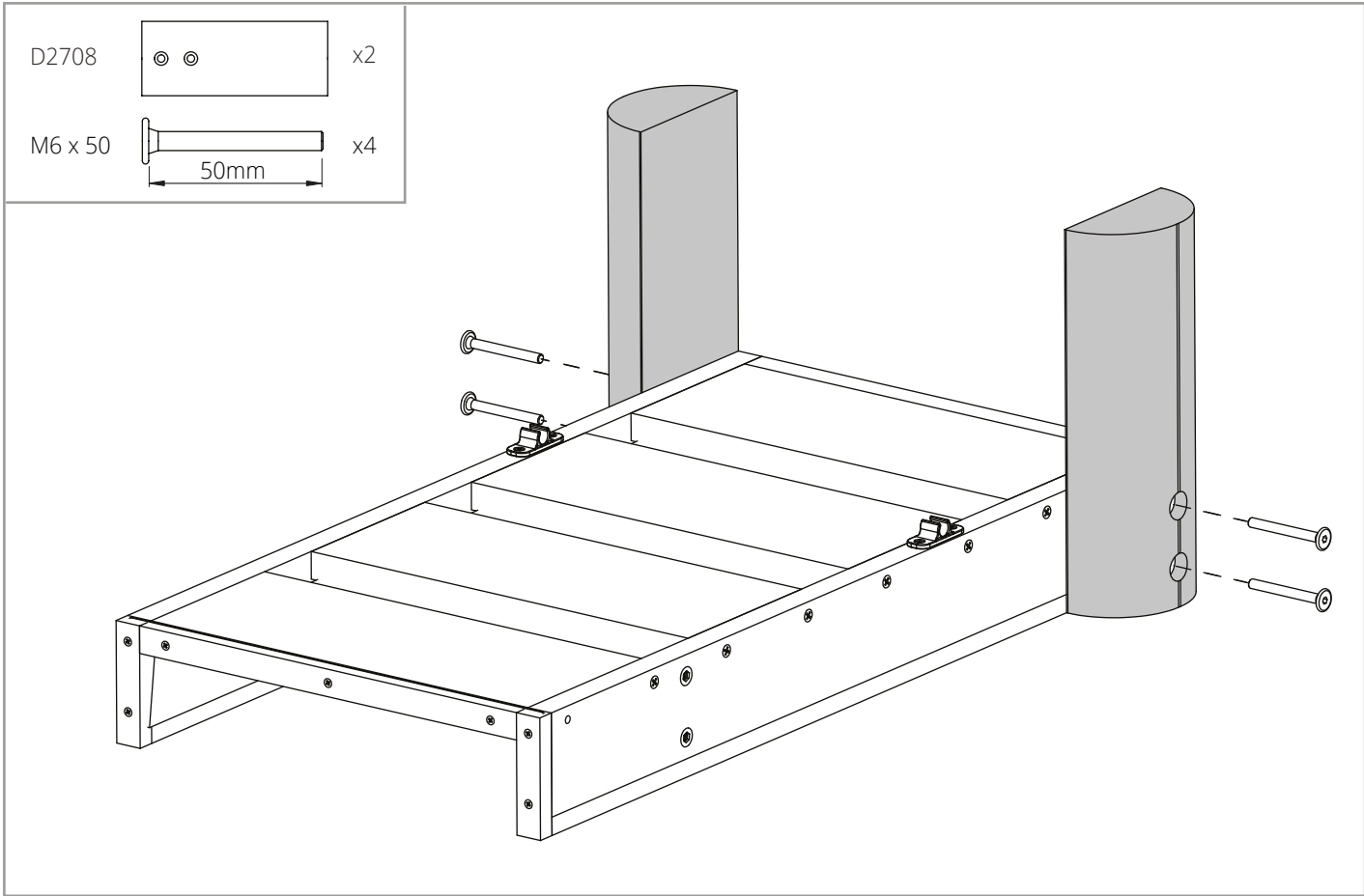
- D2709  x2
- D2710  x1
- D2849  x1
- M3 x 25  25mm x16
- D2711  x2



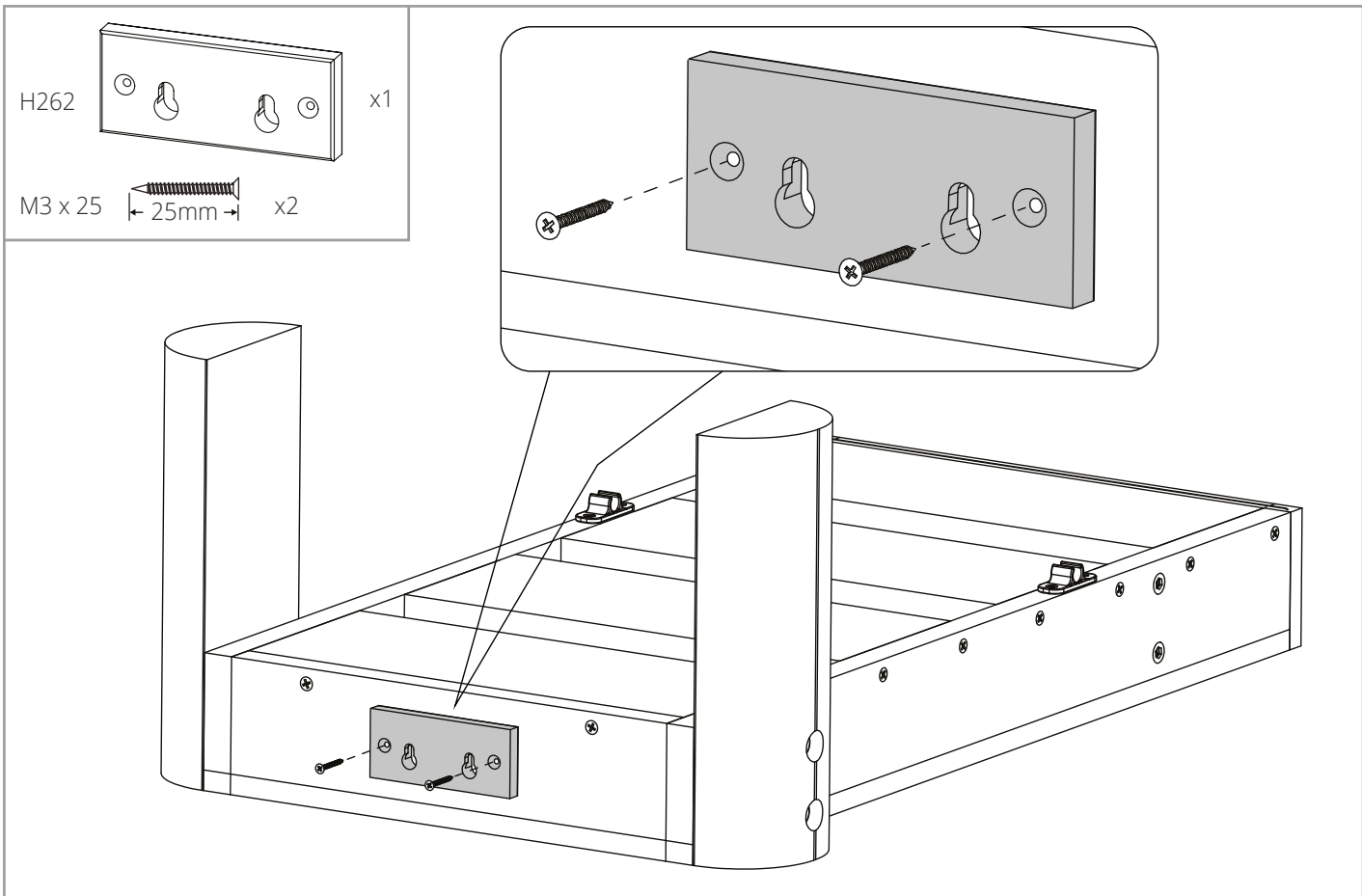
35
36
37
38
39
40
41
42
43
44
45
46
47
48
49
50
51
52
53
54
55
56
57
58
59
60
61
62
63
64
65
66
67
68
69



- M3 x 25  25mm x4
- H255  x2

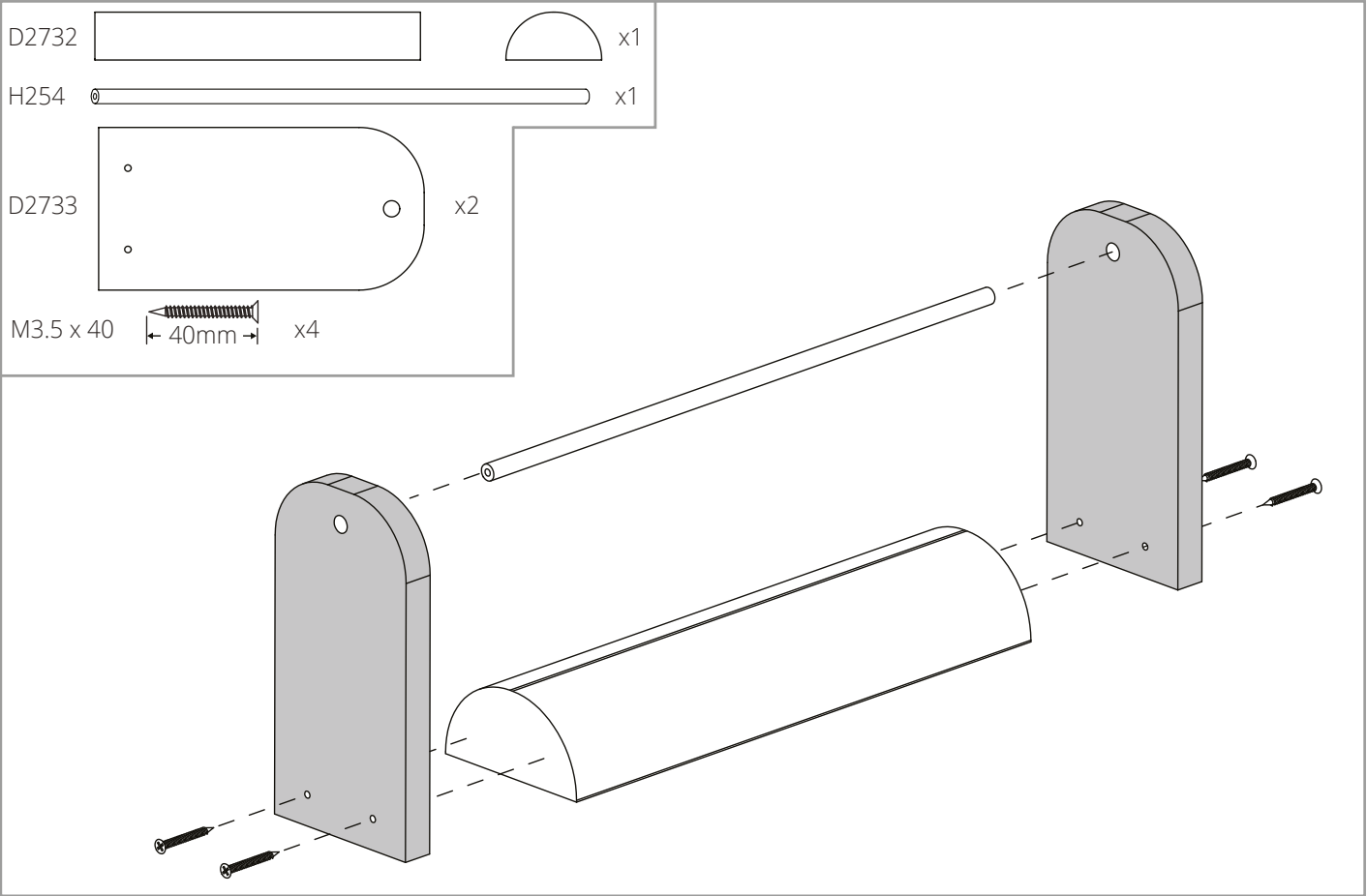


35
36
37
38
39
40
41
42
43
44
45
46
47
48
49
50
51
52
53
54
55
56
57
58
59
60
61
62
63
64
65
66
67
68
69

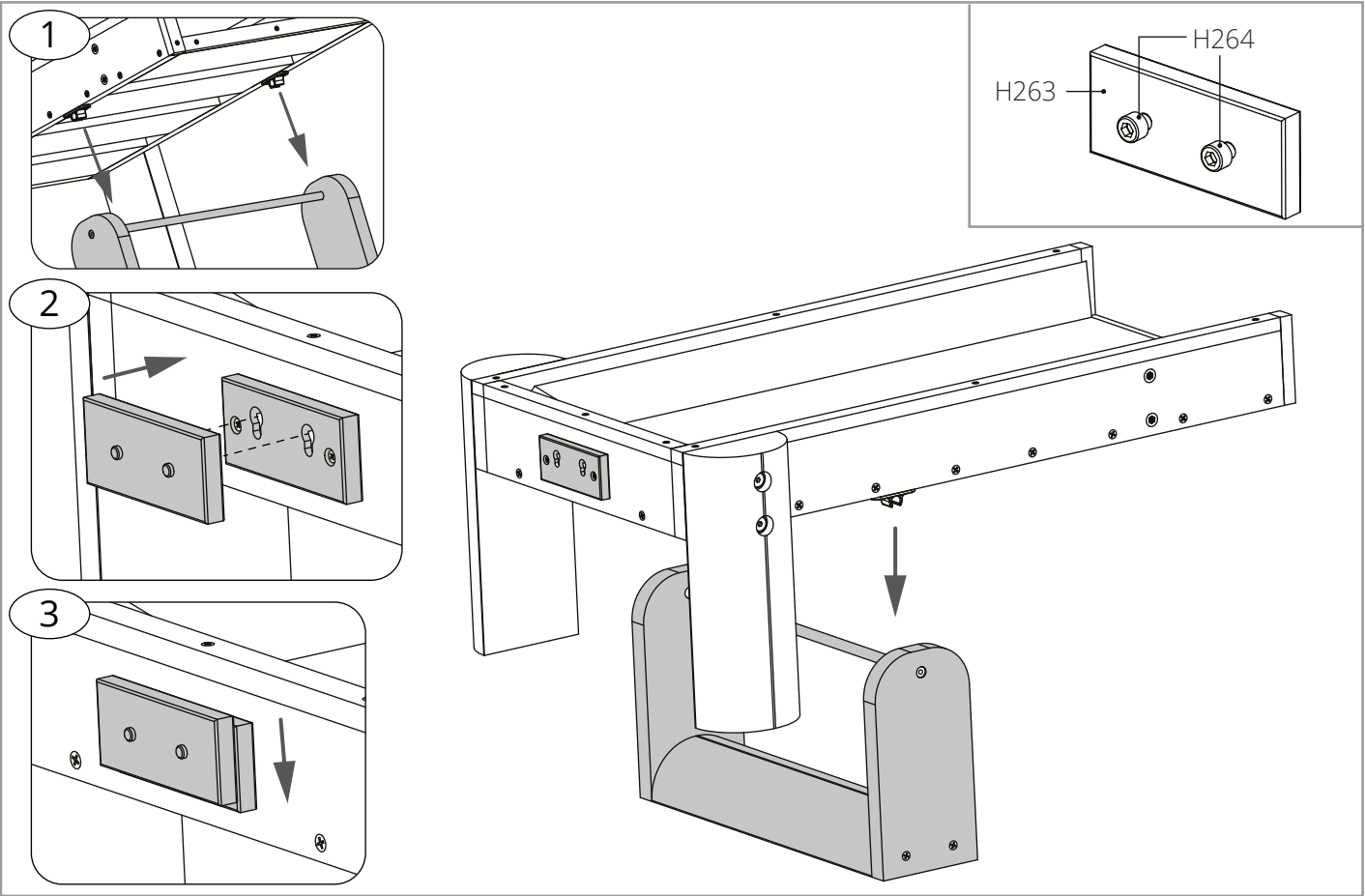


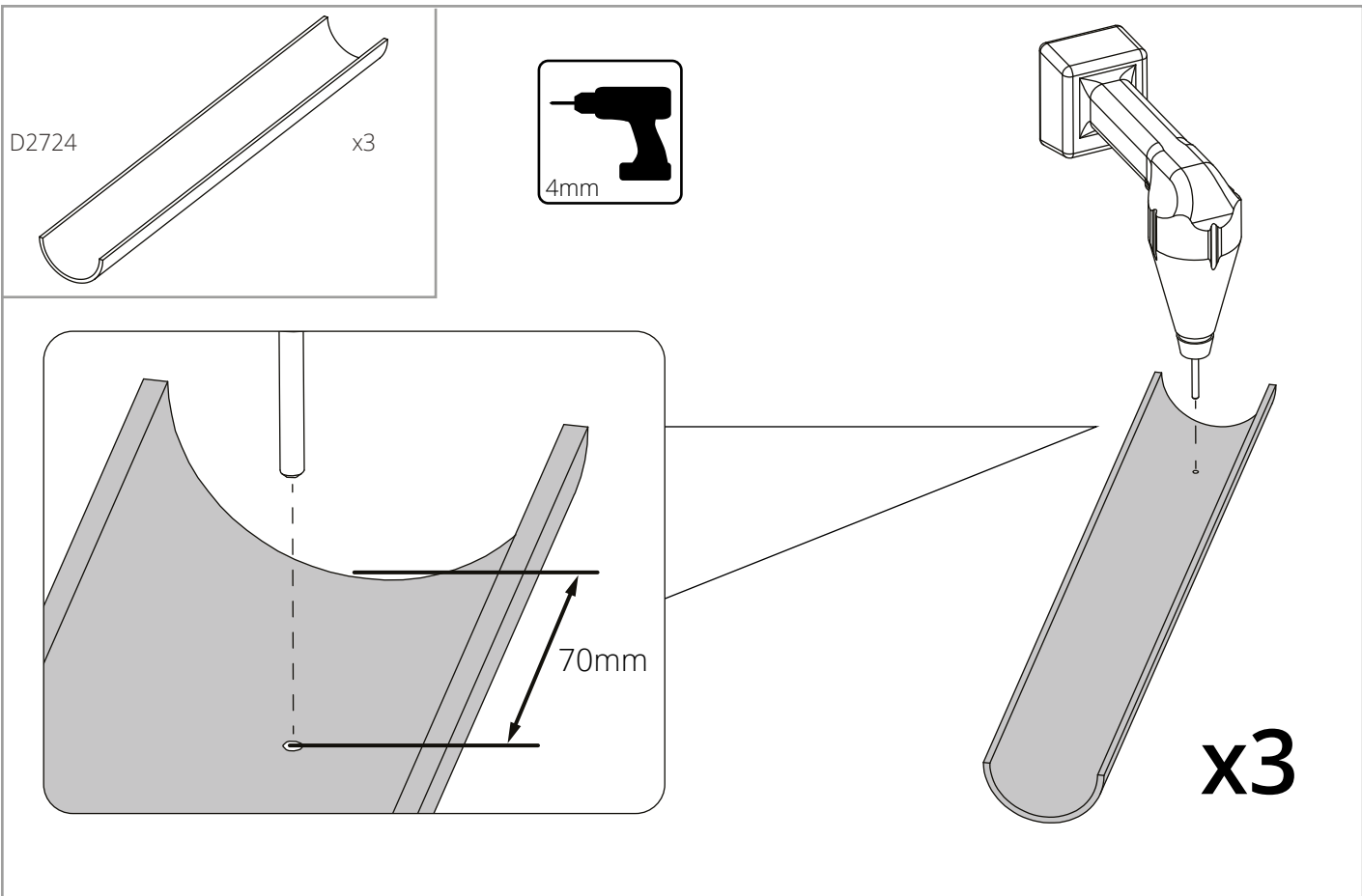
35
36
37
38
39
40
41
42
43
44
45
46
47
48
49
50
51
52
53
54
55
56
57
58
59
60
61
62
63
64
65
66
67
68
69

35
36
37
38
39
40
41
42
43
44
45
46
47
48
49
50
51
52
53
54
55
56
57
58
59
60
61
62
63
64
65
66
67
68
69

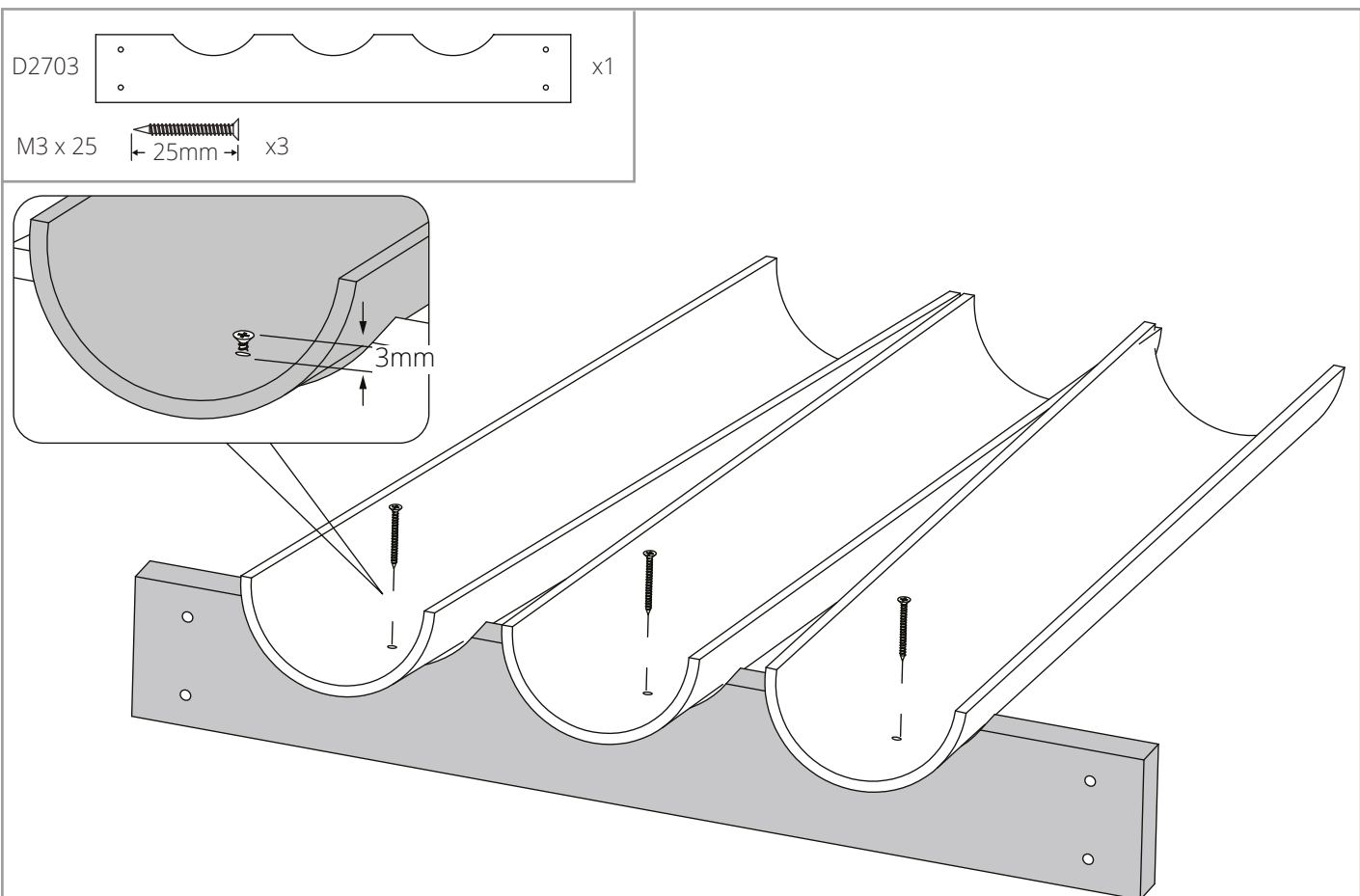


35
36
37
38
39
40
41
42
43
44
45
46
47
48
49
50
51
52
53
54
55
56
57
58
59
60
61
62
63
64
65
66
67
68
69



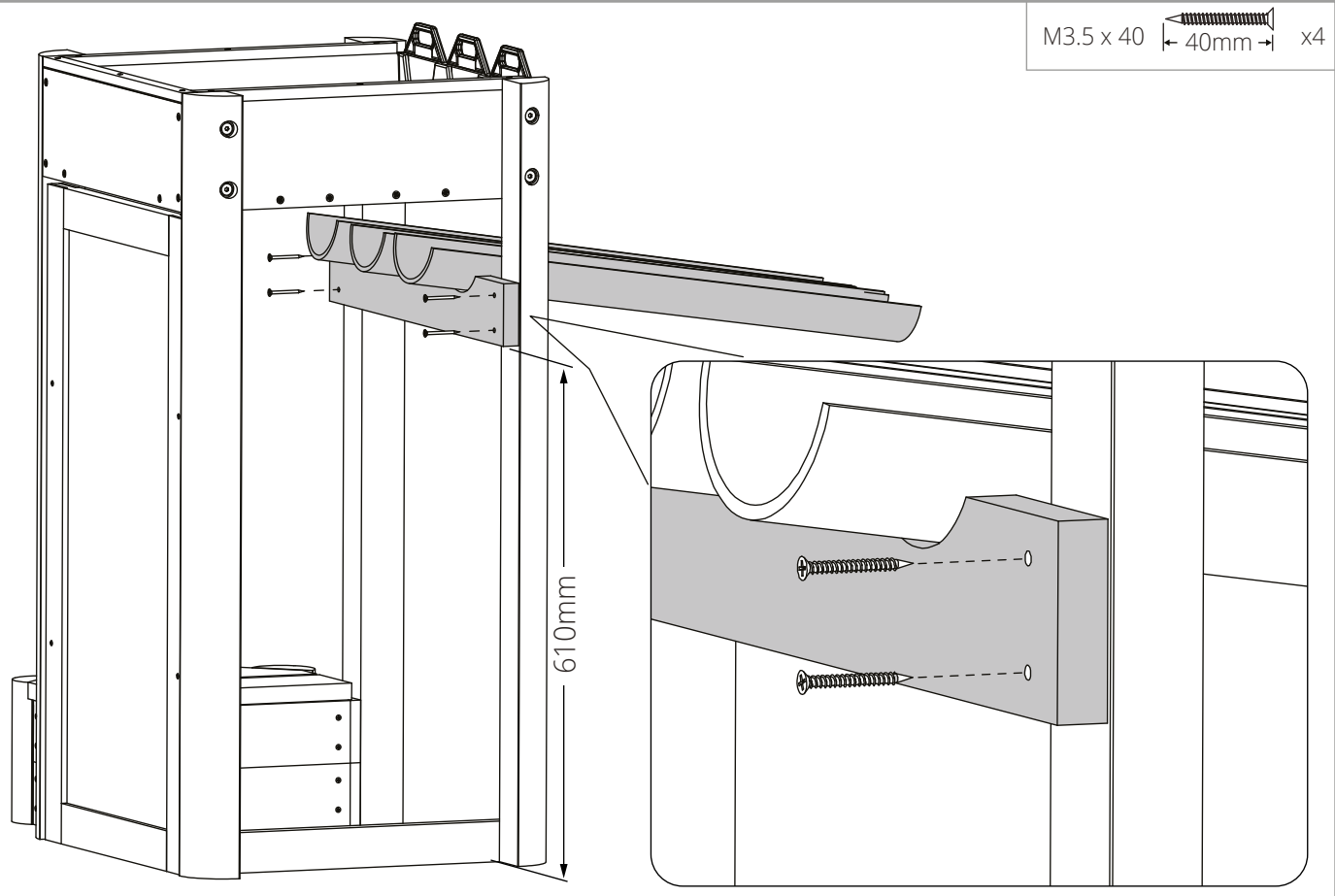


35
36
37
38
39
40
41
42
43
44
45
46
47
48
49
50
51
52
53
54
55
56
57
58
59
60
61
62
63
64
65
66
67
68
69

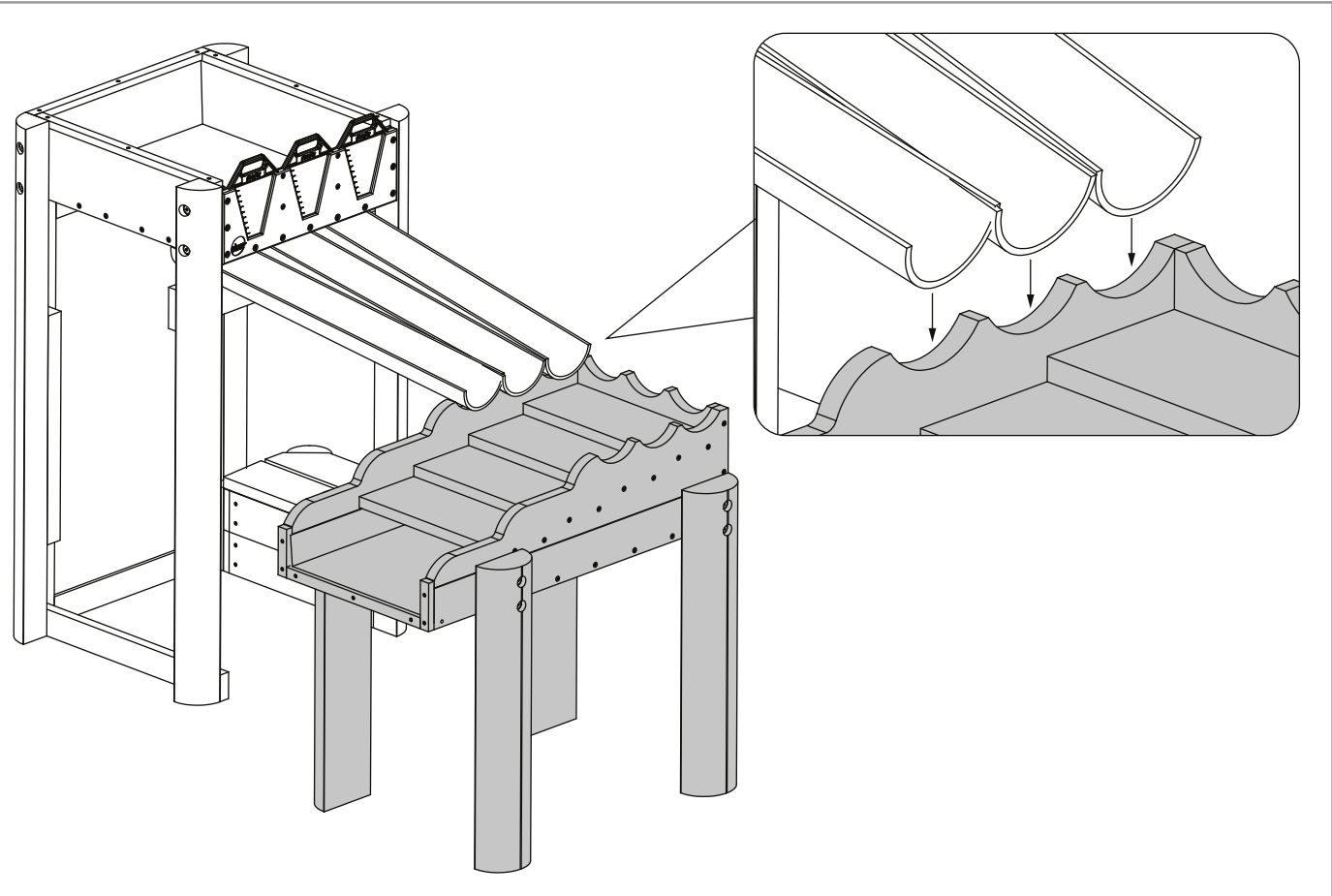


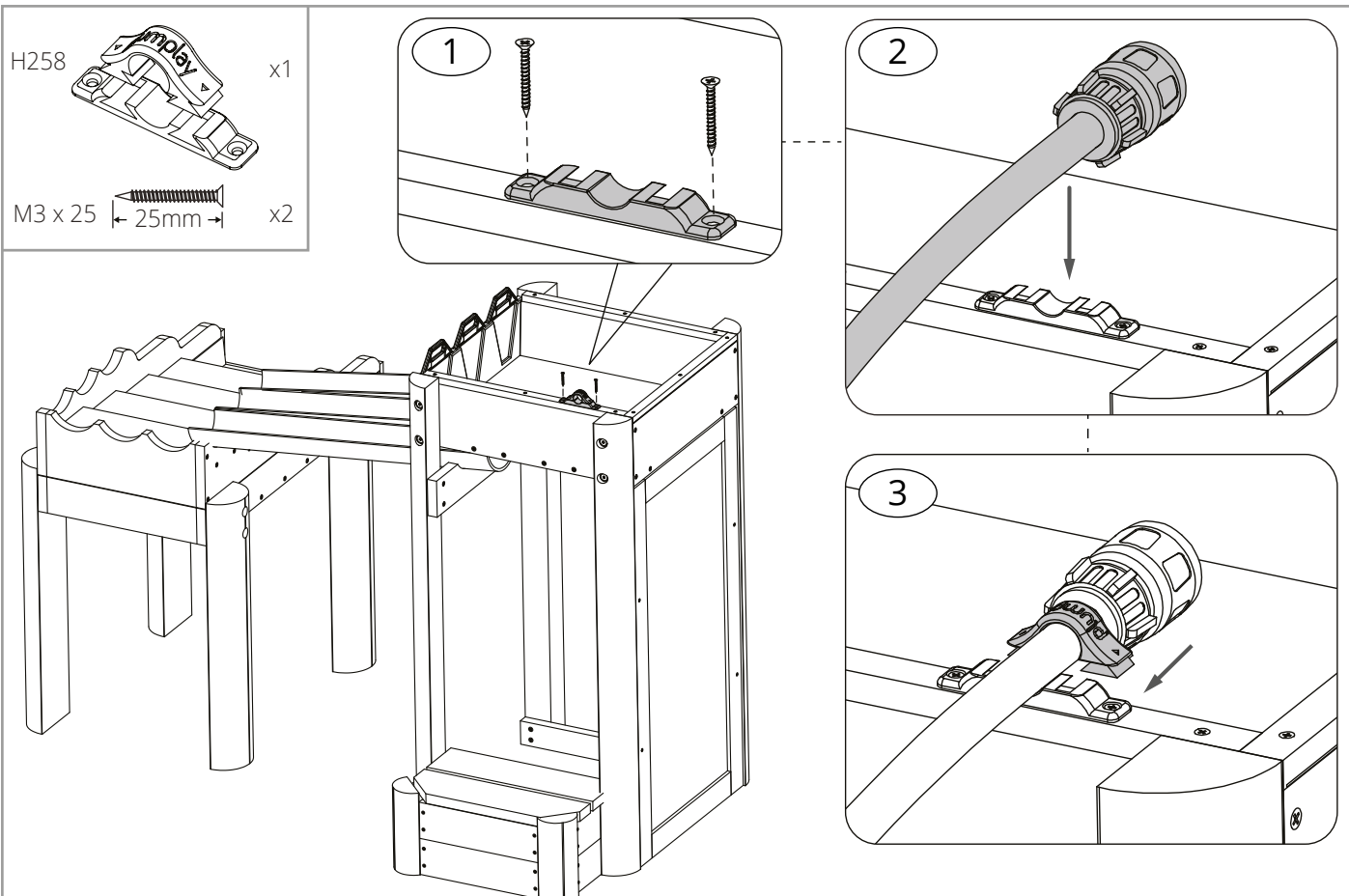
35
36
37
38
39
40
41
42
43
44
45
46
47
48
49
50
51
52
53
54
55
56
57
58
59
60
61
62
63
64
65
66
67
68
69

35
36
37
38
39
40
41
42
43
44
45
46
47
48
49
50
51
52
53
54
55
56
57
58
59
60
61
62
63
64
65
66
67
68
69

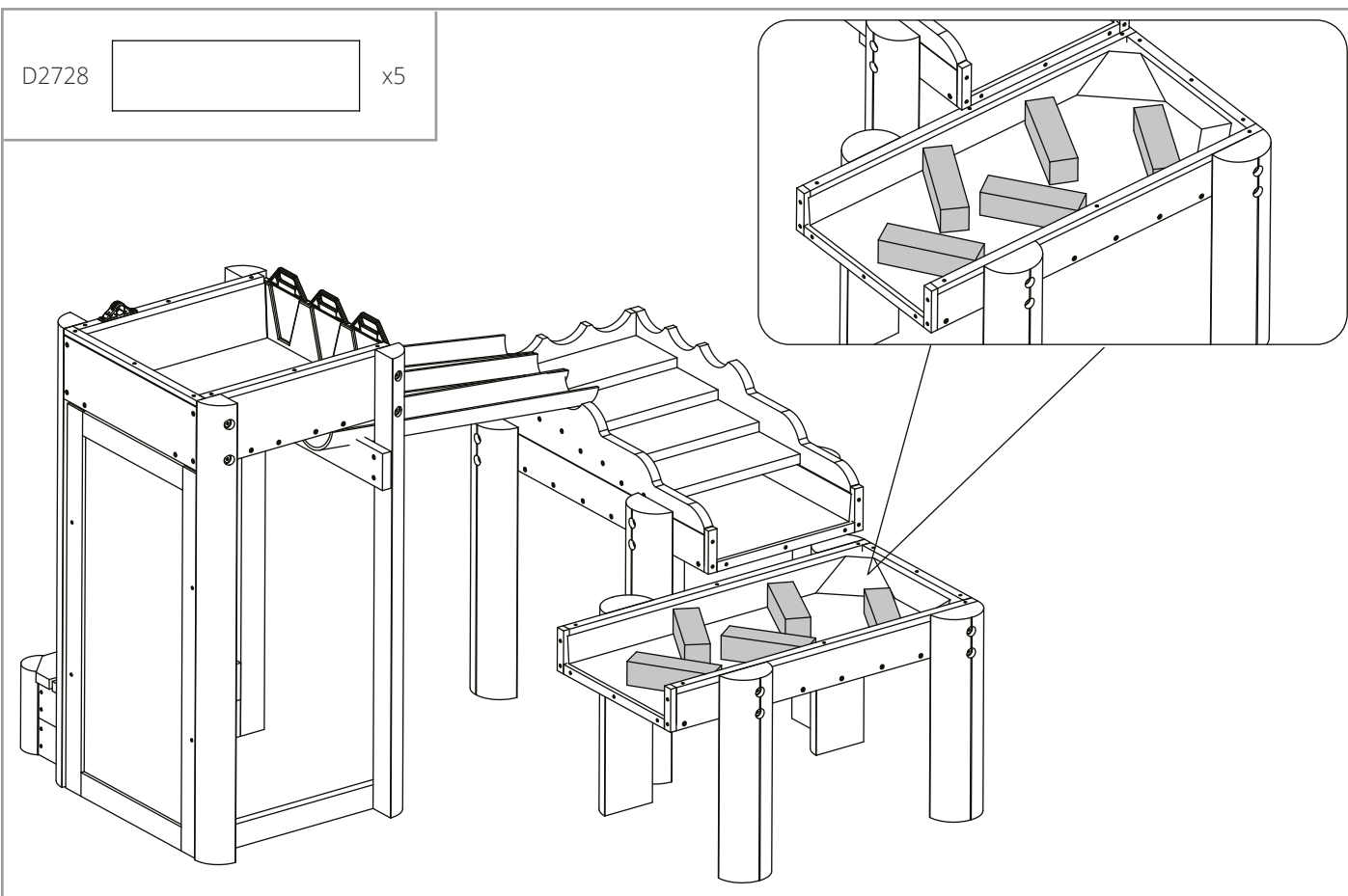


35
36
37
38
39
40
41
42
43
44
45
46
47
48
49
50
51
52
53
54
55
56
57
58
59
60
61
62
63
64
65
66
67
68
69



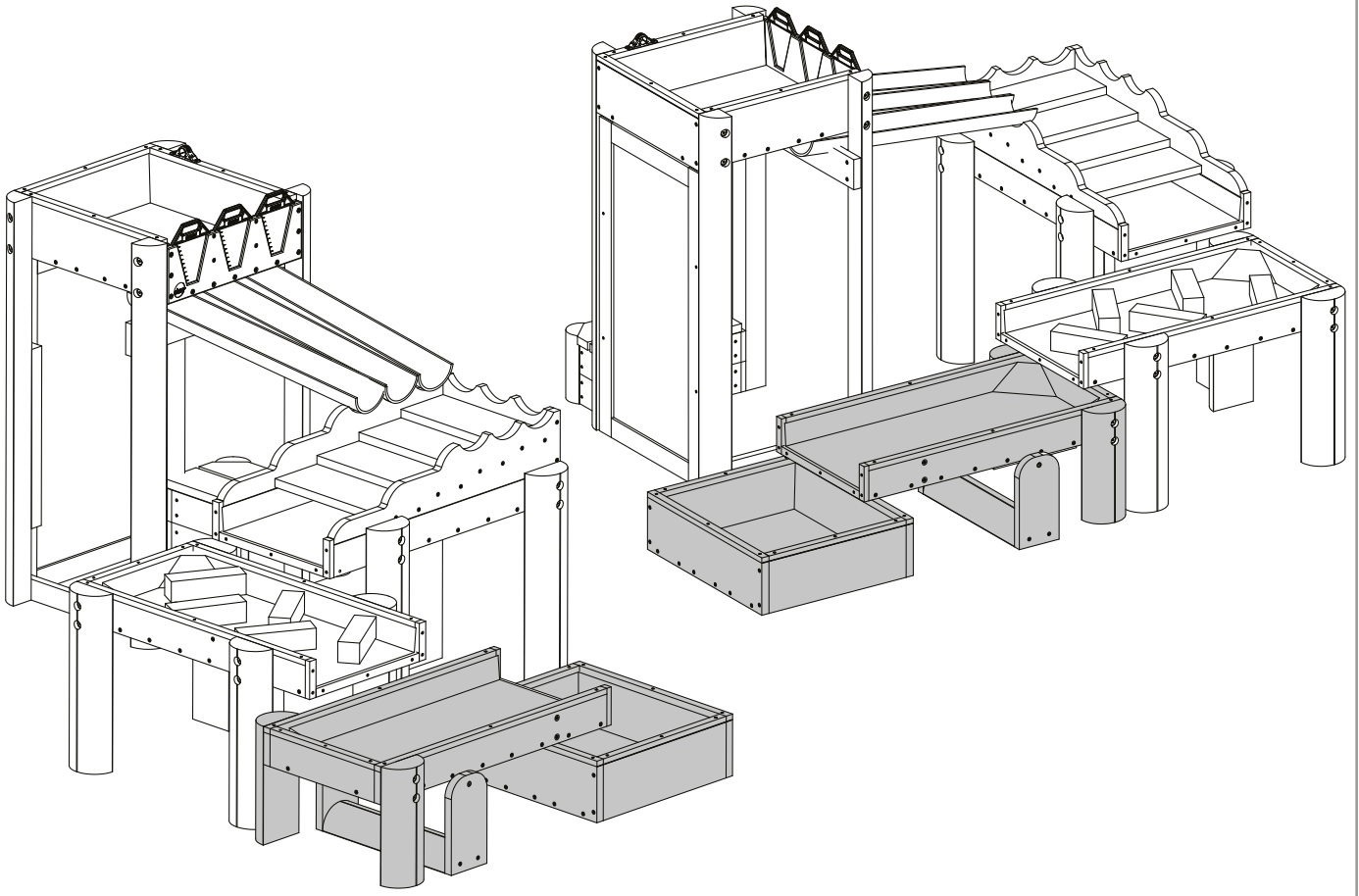


35
36
37
38
39
40
41
42
43
44
45
46
47
48
49
50
51
52
53
54
55
56
57
58
59
60
61
62
63
64
65
66
67
68
69



35
36
37
38
39
40
41
42
43
44
45
46
47
48
49
50
51
52
53
54
55
56
57
58
59
60
61
62
63
64
65
66
67
68
69

35
36
37
38
39
40
41
42
43
44
45
46
47
48
49
50
51
52
53
54
55
56
57
58
59
60
61
62
63
64
65
66
67
68
69



FR Consignes de sécurité

Pour garantir votre sécurité et celle de vos enfants, veuillez lire la présente notice avant de monter et de mettre en place le bac à sable. Veuillez respecter les consignes suivantes pour garantir la sécurité de vos enfants.

Informations relatives au bois utilisé

Ce produit a été fabriqué à partir de bois de qualité soigneusement sélectionné, traité et transformé. Le bois étant un produit naturel, il peut changer d'aspect au fil du temps. Ces changements peuvent se manifester sous la forme:

- De fentes, trous, fissures, etc. dans le sens des fibres du bois. Ce phénomène, dû à la différence d'hygrométrie entre la surface et l'intérieur du bois, est inévitable, tout à fait normal et n'a aucun effet sur la solidité, la durée de vie et la garantie du bac.
- De légères déformations (retrait et gonflement) qui n'ont aucun effet sur la sécurité ou l'utilisation du bac.
- De décolorations dues au soleil. Appliquez tous les ans un traitement de protection approprié (p. ex. un produit hydrofuge) sur le bois.
- Au bout de la première année, utilisez un produit d'entretien répandant à la norme jouet.

Règlement relatif aux produits biocides (UE n°528/2012)

Le bois traité au Wolmanit CX-8WB est un article traité dans lequel plusieurs produits biocides ont été délibérément incorporés : l'hydroxyde carbonate de cuivre/II/acide borique. Ils protègent le bois contre la décomposition/les moisissures/l'attaque des insectes. Tenir à l'écart des produits alimentaires, des boissons et de la nourriture pour animaux.

Entretien

En cas de non-utilisation pendant une période prolongée (en particulier pendant la saison hivernale) il est recommandé de démonter les accessoires, notamment les balançoires, et de les entreposer dans un endroit sec pour prolonger leur durée de vie

ATTENTION!

Age minimum de l'utilisateur 3 ans • Assemblage par un adulte nécessaire • Ne jamais laisser un enfant jouer sans surveillance • Usage domestique uniquement • Destiné à l'usage externe uniquement • Ne convient pas aux enfants de moins de 36 mois - petites pièces, risque d'étouffement • Conservez les instructions de montage pour référence ultérieure • Placez sur une surface plane à au moins 2 mètres de toute structure ou obstacle tel que des barrières, un garage, une maison, des branches, des cordes à linge ou des fils électriques • Ne doit pas être installée sur du béton, de l'asphalte ou d'autres surfaces dures • Il est conseillé d'inspecter régulièrement (à savoir au début d'une saison et chaque mois ensuite) le bon état des parties principales et des fixations, que tout soit bien huilé (dans le cas de pièces métalliques), à ce qu'il n'y ait rien de saillant et à ce que tout soit intact. Remplacez, huilez et/ou resserrez le cas échéant. Le non suivi de ces précautions risque de blesser ou de poser un danger • Tous les accessoires attachés tels que les balançoires, les chaînes, cordes etc. doivent être régulièrement inspectés pour déceler la présence de détériorations. Remplacez les accessoires attachés en cas de signes de détérioration. Le non suivi de ces précautions risque de blesser ou de poser un danger • Tenir à l'écart des animaux • Ne pas mettre en bouche • Se laver les mains après usage • Attention : peut causer des réactions allergiques chez les personnes prédisposées • Poids maximum de l'utilisateur 50kg • Ne pas trop serrer les écrous et les vis étant donné que cela peut provoquer leur cisaillement et pourrait provoquer une défaillance de la structure • Veuillez s'il vous plaît ne pas apporter de modification au produit, cela pourrait provoquer une blessure ou créer un danger.

L'extension de garantie est uniquement disponible au RU

ES Sección de asesoramiento

Para garantizar su seguridad, la del instalador y la de sus hijos, es importante que lea completamente estas instrucciones antes de comenzar a colocar e instalar este producto.

Recomendaciones para la madera

Este producto se ha fabricado con madera de alta calidad. Hemos cuidado en detalle la selección, el tratamiento y la mecanización de la madera antes de ofrecérsela. La madera es un producto natural y, como tal,

experimenta cambios en el curso de su vida. Esto significa que podría:

- Presentar grietas (brechas, rendijas, aperturas, rajaduras, fracturas) en la línea del grano. Estas aperturas de deben a la diferencia de humedad existente entre las superficies internas y externas de la madera. Es de esperar, es totalmente aceptable y no afectará a la resistencia integral, la duración o la garantía del producto.
- Deformación y distorsión de su forma. Cualquier distorsión será leve y no afectará a la seguridad ni al disfrute del producto.
- Pérdida de color por el efecto de la luz del sol. La madera se debería tratar con un producto patentado que actúe como barrera protectora, por ejemplo, un producto hidrófugo, una vez al año.
- Tras el primer año de uso, aplique un tratamiento de buena calidad seguro para el uso de los niños..

Reglamento sobre productos biocidas EU 528/2012

La madera tratada Wolmanit CX-8WB es un artículo tratado que incorpora productos biocidas: Carbonato hidróxido de cobre/II/acido bórico. Protegen la madera del deterioro, la descomposición y los ataques de insectos. Manténganse alejados de la comida, la bebida y los utensilios para alimentar a los animales.

Mantenimiento rutinario

Durante largos periodos de inactividad (particularmente durante el invierno), se sugiere que los accesorios oscilantes se desmonten y se guarden en un lugar seco. Así, se prolongará la vida de tales accesorios

AVERTENCIA

Edad mínima del usuario 3 años • El montaje de este juguete debe llevarlo a cabo un adulto • Se recomienda en todo momento la supervisión de un adulto • Utilícese exclusivamente en el ámbito doméstico • Utilícese exclusivamente al aire libre • No es conveniente para niños menores de 36 meses, ya que posee partes pequeñas que podrían causar asfixia • Conserve las instrucciones de montaje, ya que podría necesitarlas en el futuro • Colocar en una superficie plana a, al menos, 2 m de distancia de estructuras u obstrucciones tales como vallas, garajes, casas, ramas colgantes, tendales o cables eléctricos • No debe instalarse sobre superficies asfaltadas ni cementadas ni sobre cualquier otra superficie dura • "Se aconseja comprobar regularmente (por ejemplo al principio de la temporada y, posteriormente, una vez al mes) que todas las partes/fijaciones estén bien sujetas, ubicadas (si son metálicas) e intactas y no presenten puntos ni bordes afilados. Sustituya, lubrique o apriete las partes/fijaciones según sea necesario. De no hacerlo, esto podría resultar en lesiones o situaciones peligrosas • Debe comprobarse regularmente que los componentes como columpios, cadenas, cuerdas, etc. no presenten signos de deterioro. En caso de que algún componente presente signos de deterioro, sustitúyalo. De no hacerlo, esto podría resultar en lesiones o situaciones peligrosas • Mantenga a los animales a una distancia segura de este producto • No introduzca el material en la boca • Lave las manos después de cada uso • Advertencia: puede provocar reacciones alérgicas en personas predispuestas • Peso máximo del usuario: 50kg • No sobreapriete tuercas ni tornillos. Esto podría provocar que se rompan y, potencialmente, causar un fallo estructural • No realice modificaciones en el producto, podrá provocar lesiones o peligros.

IT Awertenze di sicurezza

Per la sicurezza del montatore, quella dei vostri bambini e la vostra, prima di iniziare la posa e il montaggio della sabbiera è importante leggere attentamente queste istruzioni.

Caratteristiche del legno

Questo articolo è prodotto in legno di elevata qualità. Prima della vendita, il legno è stato selezionato, trattato e lavorato con cura.

Il legno è un prodotto naturale e quindi nel tempo può subire dei cambiamenti che possono manifestarsi nel modo seguente:

- Formazione di fenditure (fori, fessure, crepe) lungo le fibre. Queste aperture sono dovute alla differenza di umidità sulla superficie e all'interno del legno. Questo fenomeno è normalissimo e non influisce in alcun modo sulla stabilità, la durata di vita e la garanzia del prodotto;
- Variazioni nella forma. Ogni cambiamento di forma è da considerarsi minimo e non influisce in alcun modo sulla sicurezza di questo prodotto;
- Scolorimento. L'esposizione diretta ai raggi solari può provocare lo scolorimento del legno, per cui ogni anno quest'ultimo andrebbe protetto con un prodotto adatto

(per es. contro l'acqua

- Dopo il primo anno trattare il prodotto con un prodotto di protezione di elevata qualità, adatto per i giochi in legno per bambini

Regolamento UE n. 528/2012 sui biocidi

Il legno trattato con Wolmanit CX-8WB è un prodotto lavorato che incorpora carbonato rameico/acido borico, due biocidi. Proteggono il legno da marcescenza, putrefazione e attacchi d'insetti. Conservare lontano da alimenti, bevande e mangimi.

Manutenzione

In caso di inutilizzo prolungato (in particolare durante la stagione invernale), si suggerisce di smontare gli accessori quali ad esempio le altalene e conservarle all'asciutto per prolungarne la durata

ATTENZIONE!

Età minima dell'utente 3 anni • È necessario l'assemblaggio di un adulto • Si raccomanda sempre la supervisione di un adulto • Solo per uso domestico • Solo per uso esterno • Non adatto a bambini al di sotto dei 36 mesi. Contiene pezzi piccoli. Pericolo di soffocamento • Conservare le istruzioni di assemblaggio per usi futuri • Posizionare su una superficie piana di almeno 2 metri da qualsiasi struttura o ostacolo come recinzione, garage, casa, rami sporgenti, linee di lavanderia o cavi elettrici • Non deve essere installata sul cemento, l'asfalto o qualsiasi altra superficie dura • Si consiglia, su base regolare (ad es. all'inizio della stagione e una volta al mese dopo di allora), di verificare che tutte le parti/l'equipaggiamento principali siano sicuri, ben oliati (se metallici), non presentino punte/ bordi taglienti e siano intatti. Se necessario, sostituire, oliare e/o serrare. La mancata osservanza di queste indicazioni potrebbe comportare infortuni o pericoli • Quasi tutti gli elementi fissati, come altalene, catene, corde, ecc. deve essere regolarmente esaminato alla ricerca di segni di deterioramento. Sostituirlo se presenta segni di deterioramento. La mancata osservanza di queste indicazioni potrebbe comportare infortuni o pericoli • Tenere gli animali a distanza di sicurezza da questo prodotto • Non mettere il materiale in bocca • Lavare accuratamente le mani dopo l'uso • Avvertenza: in soggetti predisposti può provocare reazioni allergiche • Peso massimo dell'utente 50kg • Non serrare eccessivamente i dadi e le viti, in quanto ciò potrebbe causarne il taglio e potenzialmente un guasto strutturale • Si prega di non apportare modifiche al prodotto, potrebbe provocare lesioni o rischi.

DE Sicherheitshinweise

Für die Sicherheit des Monteurs, die Sicherheit Ihres Kindes und für Ihre eigene Sicherheit ist es wichtig, dass diese Anleitung vor Beginn der Positionierung und Montage des Produkts vollständig gelesen wird.

Hinweise zur Holzbeschaffenheit

Dieses Produkt wurde aus hochwertigem Holz hergestellt. Das Holz wurde vor dem Verkauf sorgfältig ausgewählt, behandelt und bearbeitet. Holz ist ein Naturprodukt und kann sich daher im Laufe der Zeit verändern. Die Veränderungen können sich wie folgt manifestieren:

- Es können sich Öffnungen (Lücken, Schlitze, Risse, Spalten) entlang der Holzfasern bilden. Diese Öffnungen entstehen durch den

Feuchtigkeitsunterschied auf der Holzoberfläche und im Inneren des Holzes. Dies ist zu erwarten, vollkommen akzeptabel und beeinträchtigt die eigentliche Stabilität, Lebensdauer und Garantie des Produktes keinesfalls.

- Veränderungen in der Form. Jegliche Formveränderung wird geringfügig sein und die Sicherheit sowie die Freude an diesem Produkt nicht beeinträchtigen.
- Das Holz kann unter Sonneneinstrahlung verblassen. Das Holz sollte jedes Jahr mit einem geeigneten Produkt, z.B. zum Schutz vor Wasser, behandelt werden.
- Behandeln Sie das Produkt nach dem ersten Gebrauchsjahr mit einem hochwertigen Pflegemittel, das für den Einsatz an Kinderspielzeug geeignet ist.

Verordnung (EU) Nr. 528/2012 zu Biozidprodukten

Mit Wolmanit CX-8WB behandeltes Holz ist ein behandeltes Produkt, das die folgenden Biozidprodukte enthält: Kupferhydroxidcarbonat/II/Borsäure. Diese schützen Holz vor Fäulnis, Verrottung und Insektenbefall. Von Lebensmitteln, Getränken und Tiernahrung fernhalten.

Instandhaltung

Es wird empfohlen, dass Geräte wie Schaukeln bei längerer Nichtverwendung (insbesondere im Winter) abgebaut und an einem trockenen Ort gelagert werden. Dies verlängert die Lebensdauer eines solchen

ACHTUNG!

Das Mindestalter für Benutzer beträgt 3 Jahre • Montage muss durch einen Erwachsenen erfolgen • Sollte nur unter unmittelbarer Aufsicht von Erwachsenen benutzt werden • Nur zur Nutzung im Freien geeignet • Nur für den privaten Gebrauch • Nicht für Kinder unter 36 Monaten geeignet – Kleinteile, Erstickungsgefahr • Bewahren Sie die Montageanleitung für eine spätere Nutzung auf • Auf einer ebenen Fläche von mindestens 2 m von einer Struktur oder einem Hindernis wie Zaun, Garage, Haus, überhängenden Zweigen, Wäscheleinen oder elektrischen Drähten entfernt aufstellen • Sollte nicht über Beton, Asphalt oder anderen harten Oberflächen angebracht werden • Es wird empfohlen, dass alle wichtigen Teile/Befestigungen regelmäßig (also am Anfang der Saison und danach monatlich) darauf überprüft werden, ob diese sicher und gut geölt (falls metallisch) und intakt sind, und keine. Es wird empfohlen, dass alle wichtigen Teile/Befestigungen regelmäßig (also am Anfang der Saison und danach monatlich) darauf überprüft werden, ob diese sicher und gut geölt (falls metallisch) und intakt sind, und keine scharfen Ecken und Kanten aufweisen. Ersetzen, ölen und/oder ziehen Sie die Teile fest, wenn nötig. Wenn Sie dies nicht tun, kann dies zu Verletzungen oder Gefahren führen • Jegliche Befestigungen wie Schaukeln, Ketten, Seile etc. müssen regelmäßig auf Abnutzung überprüft werden. Ersetzen Sie jegliche Befestigungen, wenn diese Abnutzungen aufweisen. Wenn Sie dies nicht tun, kann dies zu Verletzungen oder Gefahren führen • Außer Reichweite von Tieren halten • Material nicht in den Mund nehmen • Nach der Verwendung, Hände waschen • Warnhinweis: In Personen, die sensibel auf bestimmte Stoffe reagieren, könnte es eine allergische Reaktion hervorrufen • Höchstgewicht des Benutzers 50kg • Muttern und Schrauben nicht zu fest anziehen, da diese dann brechen können, was möglicherweise zu Strukturversagen führt • Keine Änderungen am Produkt vornehmen. Das kann zu Gefahren und Verletzungen führen.

إتحذير

الحد الأدنى لعمر المستخدم 3

يتطلب لتثبيت أجزاء الجهاز شخص بالغ

ينصح بضرورة وجود إشراف دائم من كبار السن عند استخدام الجهاز

للاستخدام الداخلي فقط

للاستخدام في الهواء الطلق فقط

يصلح لاستخدام الأطفال دون 36 شهر - قطع صغرى، خطر الاختناق

احتفظ بالتعليمات الخاصة بتثبيت الجهاز للاستخدام مستقبلاً

يوضع على مستوي سطح 2 متر على الأقل بعيداً عن أي هيكل أو مانع

مثل السياج أو المراب أو منزل أو أغصان متدلّية أو أحبال غسيل أو أسلاك كهربائية.

احرص على تجنب التركيب فوق الأسطح الخرسانية، أو

الأسفلتية، أو الأسطح الصلدة الأخرى

ينصح القيام بشكل دوري (على سبيل المثال عند بداية الموسم

وعند كل شهر فصاعداً، فحص القطع الرئيسية، وقوائم التثبيت،

والتحقق من ثباتها، وتشحيمها بالشكل الملائم) إذا كانت مصنعة

من الفلزات، والتأكد من عدم وجود تنوء في الأجزاء و

الأطراف وسلامتهما. احرص على استبدال القطع أو تشحيمها

أو ربطها بإحكام عند الضرورة. اعلم بأن عدم القيام بمثل هذه

الأمر قد ينجم عنها حدوث إصابات أو تعرضك للمخاطر

يراعى ضرورة الكشف الدوري على الأجزاء الملحقة مثل المزالج

والبكرات والأحبال وغير ذلك لاحتمالات وجود ما يثبت تلفها وقم

باستبدال الأجزاء الملحقة في حال ظهور ما يدل على تلفها. مع العلم

بأن عدم القيام بذلك قد ينجم عنه حدوث إصابات أو مخاطر

لا تضع المادة في الفم.

اغسل اليدين بعد الاستعمال.

تحذير: قد يسبب المنتج ردود فعل تحسسية لدى الأشخاص الذين لديهم استعداد مسبق لذلك.

50kg الحد الأقصى لوزن المستخدم

لا تتبالغ في إحكام ربط الصواميل و المسامير حيث قد يتسبب ذلك في قصها

ومن المحتمل أن يؤدي إلي عطل هيكلية.

يرجى عدم إجراء أية تعديلات علي المنتج؛ فقد يؤدي ذلك إلي الإصابة أو

التعرض للخطر.

定期的（つまり、使用期間の最初とその後は毎月）すべての主な部品や備品が安全で、十分に潤滑油が塗布されていて（金属の場合）、尖ったポイントや端がなく、欠陥がないことを点検することをお勧めします。必要であれば交換、潤滑油の塗布、締め付けを行います。点検を怠った場合、怪我をしたり、危険を引き起こす原因となります。

ブランコ、チェーン、ロープなどすべての付属部品は、老朽していないか定期的に点検する必要があります。老朽している場合は、付属部品を交換してください。点検を怠った場合、怪我をしたり、危険を引き起こす原因となります。

この製品と動物の間に安全な距離があるようにしてください。

最大耐荷重50kg

製品を改造しないでください。怪我をしたり、危険の原因となります。

NO ADVARSEL!

Minimum brukeralder 3 år • Må monteres av voksne • Må være under kontinuerlig oppsyn av voksne • Kun for hjemmebruk • Kun for utendørs bruk • Ikke egnet for barn under 36 måneder: små deler – kvelningsfare • Oppbevar denne bruksanvisningen for senere bruk • Plasseres på en plan overflate minst 2 meter fra eventuelle bygninger eller hindringer, f.eks. gjerde, garasje, hus, overhengende grener, tørkesnorer eller elektriske ledninger • Må ikke monteres over betong, asfalt eller andre harde overflater • Det anbefales at man regelmessig (på begynnelsen av sesongen og deretter hver måned) kontrollerer at alle hoveddelene og festene er sikre, godt festet, godt oljet (for metalldele), ikke har noen skarpe punkter eller kanter og er hele. Bytt ut deler, olje dem eller stram dem til når nødvendig. Hvis du unnlater å gjøre dette, kan det medføre skader eller fare • Alle festede deler og tilbehør, f.eks. husker, kjettinger, tau osv. må kontrolleres regelmessig for slitasje. Bytt ut deler som har tegn til slitasje. Hvis du unnlater å gjøre dette, kan det medføre skader eller fare • Hold dyr på trygg avstand fra dette produktet • Ha ikke materialet i munnen • Vask hender etter bruk • Advarsel: kan forårsake allergiske reaksjoner hos utsatte personer • Maksimal brukervekt 50 kg • Du må ikke utføre endringer på produktet, da dette kan føre til skade eller fare.

PT AVISO!

Idade mínima do utilizador: 3 anos • Necessária a montagem por um adulto • Necessária a supervisão de adultos em todas as ocasiões • Apenas para uso doméstico • Apenas para uso no exterior • Não adequado para crianças com menos de 36 meses: peças pequenas – risco de asfixia • Guarde este manual de instruções nos seus registos • Colocar numa superfície nivelada a, pelo menos, 2 metros de distância de qualquer estrutura ou obstrução, como uma cerca, garagem, casa, ramos de árvore suspensos, cordas da roupa ou cabos elétricos • Não pode ser instalado sobre cimento, asfalto ou qualquer outra superfície dura • Aconselhamos a, de forma regular (ou seja, no início da temporada de utilização e depois mensalmente), verificar se todas as peças principais/fixações estão fixas, bem oleadas (se forem metálicas), não têm bordas afiadas e estão intactas. Substituir, olear e/ou apertar sempre que necessário. O incumprimento destas instruções pode resultar num ferimento ou perigo • Quaisquer acessórios, como baloços, correntes, cordas, etc., têm de ser verificados regularmente quanto a danos de deterioração. Substituir quaisquer acessórios se houver sinais de deterioração. O incumprimento destas instruções pode resultar num ferimento ou perigo • Mantenha os animais a uma distância segura deste produto • Peso máximo do utilizador: 50 kg • Não faça nenhuma modificação ao produto, pois pode resultar num ferimento ou perigo.

RO AVERTISMENT!

Vârsta minimă a copilului: 3 ani • Asamblarea de către un adult este obligatorie • Supravegherea de către un adult este necesară în permanență • Doar pentru uz casnic • Doar pentru utilizare în aer liber • Articol neadekvat pentru copiii sub 36 de luni: componente mici – pericol de sufocare prin înghițire • Păstrați acest manual de instrucțiuni pentru a-l consulta ulterior • Amplasați pe o suprafață plană, la cel puțin 2 m distanță de orice structură sau obstacol, cum ar fi garduri, garaje, case, crengi care atârnă, sfori pentru rufe sau fire electrice • A nu se monta pe ciment, asfalt sau pe orice suprafață dură • Se recomandă ca, în mod regulat (adică la începutul sezonului și, ulterior, lunar), toate

componentele principale/elementele de fixare să fie verificate pentru siguranță, să fie bine lubrifiate (dacă sunt din metal), să nu aibă vârfuri/margini ascuțite și să fie intacte. Înlocuiți-le, lubrifiați-le și/sau strângeți-le dacă este necesar. În caz contrar, ar putea surveni accidente sau pericole • Orice accesorii, cum ar fi leagăne, lanțuri, frânghii etc., trebuie să fie examinate în mod regulat pentru a descoperi eventuale urme de deteriorare. Înlocuiți toate accesoriile care prezintă urme de deteriorare. În caz contrar, ar putea surveni accidente sau pericole • Țineți animalele la o distanță de siguranță de acest produs • Greutatea maximă a utilizatorului: 50 kg • Nu modificați produsul sub nicio formă; modificările ar putea duce la apariția unor accidente sau pericole.

RU ВНИМАНИЕ!

Минимальный возраст: 3 года • Сборка должна осуществляться совершеннолетним лицом • Дети всегда должны находиться под наблюдением взрослых • Только для домашнего использования • Для использования вне помещений • Не подходит для детей младше 36 месяцев: мелкие детали — опасность удушья • Сохраните настоящее руководство на будущее • Устанавливать на ровной поверхности и на расстоянии не менее 2 м от любых строений и препятствий, таких как забор, гараж, дом, свисающие ветви, бельевые веревки и электрические провода • Установка на бетоне, асфальте и любой другой твердой поверхности не допускается • Рекомендуется регулярно (т.е. в начале сезона и далее ежемесячно) проверять все основные детали/соединения на предмет надежности, наличия смазки (для металлических деталей), отсутствия острых углов/краев и целостности. Смазывайте и/или протягивайте соединения по мере необходимости. Несоблюдение этих инструкций может привести к травме • Все комплектующие, такие как качели, цепи, веревки и т.д. необходимо регулярно осматривать на наличие признаков износа. При обнаружении признаков износа замените комплектующие. Несоблюдение этих инструкций может привести к травме • Не допускайте животных к данному изделию • Максимальный вес пользователя: 50 кг • Не вносите изменения в конструкцию изделия — это может привести к травме или создать угрозу.

Australia only / Uniquement en Australie

PLUM PRODUCTS WARRANTY

Subject to proper installation and normal residential use, Plum Products ("Plum") play products are warranted, subject to the limitations stated below, to the original retail purchaser or owner to be free from manufacturers defects in material or workmanship for a period of 1 (one) year from the date of original retail purchase.

All warranties may be registered. To register your warranty please visit www.plumproducts.com and retain your proof of purchase for the warranty period.

Goods covered under this limited warranty will be replaced or repaired, at our option, and returned to the customer at no cost to the customer. Plum reserves the right to examine photographs or physical evidence of goods claimed to be defective and to recover the goods prior to settling a warranty claim.

Non-residential use of the play products is prohibited and there will be no warranty for any commercial, competition or playground use as these products are designed for residential use only. No warranty shall apply on equipment subjected to abuse, negligence, improper installation or use, vandalism, acts of God, unauthorised alteration or attachment to other equipment, improper use or repair by the customer or a third party.

Whilst every endeavour is made to ensure the highest degree of safety in the product, freedom from injury cannot be guaranteed. It is essential to install correctly in accordance with installation instructions, supervise your children's play activity and maintain your play equipment periodically according to manufacturer guidelines.

This warranty does not cover scratching or scuffing of the product as a result of normal wear and tear and any minor defects which do not affect the functionality of the product. This warranty is expressly in lieu of all other warranties, express or implied given by Plum.

Your statutory rights remain unaffected. Our goods come with guarantees that cannot be excluded under the Australian Consumer Law under which you are entitled to a replacement or refund for a major failure and for compensation for any other reasonably foreseeable loss or damage. You are also entitled to have the goods repaired or replaced if the goods fail to be of acceptable quality and the failure does not amount to a major one.

To make a claim please contact us immediately on our customer service number or email below.

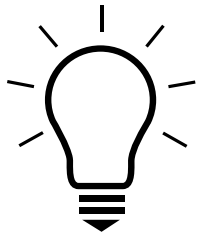
Telephone Plum Customer Services: 1800 900161

Email: Aushelpdesk@plumproducts.com

All claims must be made within 14 days of purchase or within a reasonable time of awareness of defect and must be accompanied by proof of purchase. Please therefore retain proof of purchase. Plum may reject claims which are not made within a reasonable time and/or where there is no proof of purchase. Plum will meet the cost of all agreed and validated claims.

Thank you for purchasing our product.

Plum Products Australia Pty Ltd, Suite 303, 156 Military Road, Neutral Bay, NSW 2089, Australia.



WORK WITH US

We are always looking for new innovations and ideas to grow our brand.

If you have an idea or concept, please visit www.plumplay.co.uk/inventors



Plum Products Ltd,
The Cliff, Middle Street, Ingham,
Lincolnshire, LN1 2YQ, UK
Tel: +44 (0) 344 880 5302
Fax: +44 (0) 152 273 0379
Email: contactus@plumproducts.com
www.plumplay.co.uk

Plum Products Australia Pty Ltd,
Suite 303, 156 Military Road,
Neutral Bay, NSW 2089, Australia
Tel: (02) 8968 2200
Email: Aushelpdesk@plumproducts.com
www.plumplay.com.au

Plum Products Hong Kong Ltd
Suite 1015, 10th Floor,
Chinachem Golden Plaza,
77 Mody Road, TST East, Kowloon,
Hong Kong
www.plumplay.com

Distributed in North America by:
B4Adventure
Denver CO, 80216
Customer Service:
www.plumplay.com/contact-us-com

Copyright Plum Products 2020

